

**PLEASE CHECK WWW.MOLEX.COM FOR LATEST PART INFORMATION**

**Part Number:** [0537802070](#)  
**Status:** **Active**  
**Overview:** PanelMate™ Wire-to-Board Connector System  
**Description:** 1.25mm Pitch PanelMate™ Header, Surface Mount, Right Angle, 1.90mm Height, 20 Circuits

**Documents:**

<a href="#">3D Model</a>	<a href="#">Product Specification PS-51146-012-001 (PDF)</a>
<a href="#">Drawing (PDF)</a>	<a href="#">Packaging Specification SPK-53780-001-001 (PDF)</a>
<a href="#">Product Specification PS-51146-010-001 (PDF)</a>	<a href="#">RoHS Certificate of Compliance (PDF)</a>

**Agency Certification**

CSA	LR19980
UL	E29179

**General**

Product Family	PCB Headers
Series	<a href="#">53780</a>
Application	Signal, Wire-to-Board
Overview	<a href="#">PanelMate™ Wire-to-Board Connector System</a>
Product Name	PanelMate™
UPC	822348185238

**Physical**

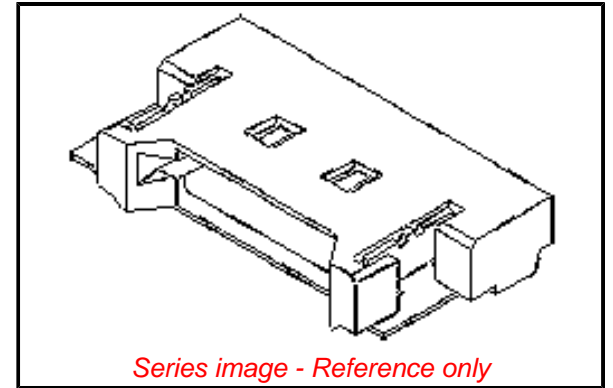
Breakaway	No
Circuits (Loaded)	20
Circuits (maximum)	20
Color - Resin	Natural
Durability (mating cycles max)	50
First Mate / Last Break	No
Flammability	94V-0
Glow-Wire Compliant	No
Guide to Mating Part	No
Keying to Mating Part	None
Lock to Mating Part	None
Material - Metal	Phosphor Bronze
Material - Plating Mating	Gold
Material - Plating Termination	Tin
Net Weight	287.080/mg
Number of Rows	1
Orientation	Right Angle
PCB Locator	No
PCB Retention	Yes
Packaging Type	Embossed Tape on Reel
Pitch - Mating Interface	1.25mm
Polarized to PCB	No
Shrouded	Fully
Stackable	No
Temperature Range - Operating	-40°C to +85°C
Termination Interface: Style	Surface Mount

**Electrical**

Current - Maximum per Contact	1.0A
Voltage - Maximum	125V

**Material Info**

**Reference - Drawing Numbers**



**EU ELV**

**Not Relevant**

**EU RoHS**

**Compliant**

**REACH SVHC**

Not Contained Per  
-ED/01/2017 (12  
January 2017)

**Halogen-Free**

**Status**

**Not Low-Halogen**

**Need more information on product environmental compliance?**

Email [productcompliance@molex.com](mailto:productcompliance@molex.com)  
Please visit the [Contact Us](#) section for any non-product compliance questions.

China ROHS	Green Image
ELV	Not Relevant
RoHS Phthalates	Not Contained

**Search Parts in this Series**

[53780 Series](#)

**Mates With**

[51146 PanelMate™ Wire-to-Board Receptacle Housing](#)

Packaging Specification  
Product Specification  
Sales Drawing

SPK-53780-001-001  
PS-51146-010-001, PS-51146-012-001  
SD-53780-003, SD-53780-004

This document was generated on 02/23/2017

**PLEASE CHECK [WWW.MOLEX.COM](http://WWW.MOLEX.COM) FOR LATEST PART INFORMATION**