

PLEASE CHECK WWW.MOLEX.COM FOR LATEST PART INFORMATION

Part Number: [0559591030](#)
Status: **Active**
Overview: MicroClasp™ Wire-to-Board System
Description: 2.00mm Pitch MicroClasp™ Wire-to-Board Header, Dual Row, Right Angle, 10 Circuits

Documents:

3D Model	Product Specification PS-51353-010 (PDF)
Drawing (PDF)	Packaging Specification SPK-55959-001 (PDF)
Product Specification PS-51353-003 (PDF)	RoHS Certificate of Compliance (PDF)

Agency Certification

UL E29179

General

Product Family	PCB Headers
Series	55959
Application	Signal, Wire-to-Board
Overview	MicroClasp™ Wire-to-Board System
Product Name	MicroClasp™
UPC	756054218334

Physical

Breakaway	No
Circuits (Loaded)	10
Circuits (maximum)	10
Color - Resin	Natural
Durability (mating cycles max)	30
First Mate / Last Break	No
Glow-Wire Compliant	No
Guide to Mating Part	No
Keying to Mating Part	None
Lock to Mating Part	Yes
Material - Plating Mating	Tin
Material - Plating Termination	Tin
Material - Resin	Polyester
Net Weight	1483.900/mg
Number of Rows	2
Orientation	Right Angle
PC Tail Length	3.20mm
PCB Locator	No
PCB Retention	Yes
PCB Thickness - Recommended	1.60mm
Packaging Type	Tray
Pitch - Mating Interface	2.00mm
Shrouded	Fully
Stackable	No
Surface Mount Compatible (SMC)	No
Temperature Range - Operating	-25°C to +85°C
Termination Interface: Style	Through Hole

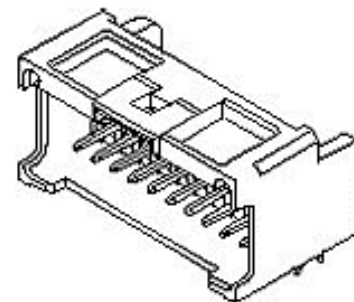
Electrical

Current - Maximum per Contact	3.0A
Voltage - Maximum	250V

Material Info

Reference - Drawing Numbers

Packaging Specification	SPK-55959-001
-------------------------	---------------



Series image - Reference only

EU ELV

Not Relevant

EU RoHS

Compliant

China RoHS

REACH SVHC

No -ED/39/2015 (15 June 2015)

Halogen-Free

Status

Not Low-Halogen

Need more information on product environmental compliance?

Email productcompliance@molex.com
Please visit the [Contact Us](#) section for any non-product compliance questions.

China ROHS

Green Image

ELV

Not Relevant

Search Parts in this Series

[55959 Series](#)

Mates With

[51353 MicroClasp™ Wire-to-Board Receptacle Housing](#)

Product Specification

PS-51353-003, PS-51353-010, RPS-51353-005,
RPS-51353-008, RPS-51353-009, RPS-51353-010,
RPS-51353-014, RPS-51353-017, RPS-51353-019,
RPS-51353-020, RPS-51353-021, RPS-51353-022,
RPS-51353-023, RPS-51353-024, RPS-51353-025,
RPS-51353-026, RPS-51353-028, RPS-51353-030,
RPS-51353-034, RPS-51353-036, RPS-51353-037
SD-55959-001, SD-55959-003

Sales Drawing

This document was generated on 11/23/2015

PLEASE CHECK WWW.MOLEX.COM FOR LATEST PART INFORMATION