

Voltage selector switch with fuseholder, 6 stages, serie-parallel, panel mounting



### Description

- Voltage Selector, with fuseholder, 6 stages
- Series-parallel connections
- For 5 x 20 mm fuse-links
- Solder terminals or quick connect terminals 2.8 x 0.5 mm

### Standards

- IEC 61058-2-5
- UL 508
- CSA C22.2 no. 55

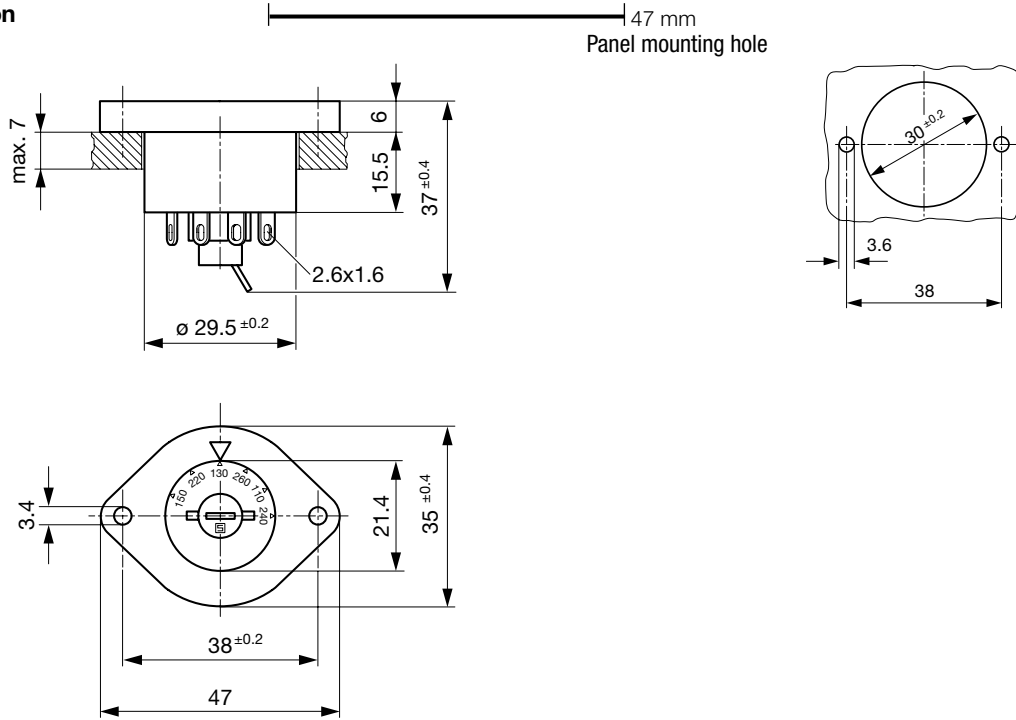
### Weblinks

[pdf-datasheet](#), [html-datasheet](#), [General Product Information](#), [Approvals](#), [CE declaration of conformity](#), [RoHS](#), [CHINA-RoHS](#), [REACH](#), [e-Shop](#), [SCHURTER-Stock-Check](#), [Distributor-Stock-Check](#), [CAD-Drawings](#), [Detailed request for product](#)

### Technical Data

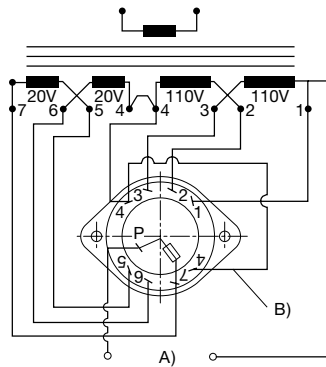
Ratings	IEC: 6.3 A / 250 VAC; 50 Hz	Solderability	350 °C / 2 sec acc. to IEC 60068-2-20, Test Ta, method 2	
	UL: 10 A / 250 VAC; 60 Hz		Resistance to Soldering Heat	350 °C / 5 sec acc. to IEC 60068-2-20, Test Tb, method 1B
	CSA: 6.3 A / 250 VAC; 60 Hz			Insulation Resistance
Mounting	Panel Mount from front side	Contact Resistance	< 10 mΩ at 20 mV	
Fastening	Screw-on mounting	Dielectric Strength	> 2kVAC between L-N > 4kVAC between L/N-PE (1min; 50Hz)	
Terminal	Solder or Quick-Connect	Clearance and Creepage Distance	> 3mm > 8mm between L/N-PE	
Number of Stages	6	Resistance to Vibration	acc. to IEC 60068-2-6, test Fc	
Lifetime	300 operating cycles (without load)			
Shock-Safe Category	PC2			
Protection Class	Suitable for appliances with protection class II acc. to IEC 61140			
Allowable Operation Temp.	-40 °C to 70 °C			
Climatic Category	25/85/21 acc. to IEC 60068-1			
Material: Socket	Thermoplastic, black, UL 94V-0			
Weight	23.2 g			

Dimension



Diagrams

Reverse view



A) Power mains  
B) External connection

All Variants

Letterings						Terminal	Order Number
Stage 1	Stage 2	Stage 3	Stage 4	Stage 5	Stage 6		
150	220	130	260	110	240	Solder terminals	0033.6001
		110	220			Solder terminals	0033.6003
140	200	120	240	100	220	Solder terminals	0033.6004
130	220	120	240	110	230	Solder terminals	0033.6006
127	200	115	240	100	220	Solder terminals	0033.6009
						Solder terminals	0033.6014
		120	240	100	220	Solder terminals	0033.6015
	220	120			240	Solder terminals	0033.6016
	200	120	240	100	220	Solder terminals	0033.6019
	220	120		100	240	Solder terminals	0033.6022
130	200	115	230	100	220	Solder terminals	0033.6024
120	220			100	240	Solder terminals	0033.6026
	200	115	230	100	215	Solder terminals	0033.6030

Letterings						Terminal	Order Number
Stage 1	Stage 2	Stage 3	Stage 4	Stage 5	Stage 6		
	220			110	240	Solder terminals	<a href="#">0033.6031</a>
150	220	130	260	110	240	Quick connect terminals 2.8 x 0.5 mm	<a href="#">0033.6101</a>
140	200	120	240	100	220	Quick connect terminals 2.8 x 0.5 mm	<a href="#">0033.6104</a>
						Quick connect terminals 2.8 x 0.5 mm	<a href="#">0033.6114</a>
	220	120		100	240	Quick connect terminals 2.8 x 0.5 mm	<a href="#">0033.6122</a>
	240	100		120	220	Quick connect terminals 2.8 x 0.5 mm	<a href="#">0033.6127</a>

Availability for all products can be searched real-time:  
<http://www.schurter.com/en/Stock-Check/Stock-Check-SCHURTER>

**Packaging Unit**      50 Pcs