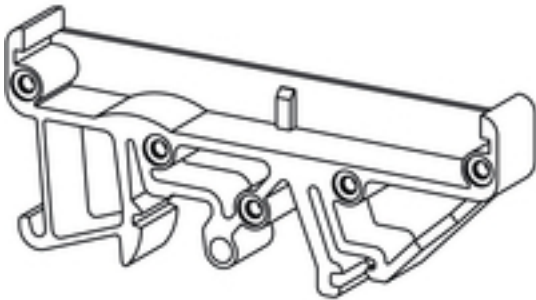


RS 70
RF RS 70 LI/A2/O.SG OR

Weidmüller Interface GmbH & Co. KG
Klingenbergstraße 16
D-32758 Detmold
Germany
Fon: +49 5231 1429-0
Fax: +49 5231 14292083
www.weidmueller.com



The RS 70 profile is supplied in fixed lengths. The desired length is obtained by connecting the individual pieces together. The PCB is pushed into the side of the profile. End cover plates close off the sides of the profile.. Elements for terminal rails and direct mounting are available here. The clip-on feet are permanently attached to the profile. Marking options are integrated into the side pieces.

General ordering data

Type	RF RS 70 LI/A2/O.SG OR
Order No.	0119660000
Version	Clip-in foot, RS 70 Orange, Clip-in foot, Width: 10 mm
GTIN (EAN)	4008190096106
Qty.	20 pc(s).

RS 70
RF RS 70 LI/A2/O.SG OR

Weidmüller Interface GmbH & Co. KG
 Klingenbergstraße 16
 D-32758 Detmold
 Germany
 Fon: +49 5231 1429-0
 Fax: +49 5231 14292083
 www.weidmueller.com

Technical data**Dimensions and weights**

Length	70 mm	Length (inches)	2.756 inch
Width	10 mm	Width (inches)	0.394 inch
Height	33.5 mm	Height (inches)	1.319 inch
Height of lowest version	32 mm	Net weight	5.045 g

System characteristics

Version	Clip-in foot	Number of PCBs per module	1
PCB thickness	1.6 mm	Tolerance for the PCB shape	±0.2
Cross-connection	No	Contact to terminal rail	No
Protection degree	IP20	Encapsulation option	No

Material data

Insulating material	PA 66	Colour	Orange
Colour chart (similar)	RAL 2000	CTI	≥ 600
UL 94 flammability rating	V-2	Storage temperature, min.	-25 °C
Storage temperature, max.	55 °C	Max. relative humidity during storage	80 %
Operating temperature, min.	-50 °C	Operating temperature, max.	100 °C
Temperature range, installation, min.	-25 °C	Temperature range, installation, max.	100 °C

Classifications

ETIM 3.0	EC001284	ETIM 5.0	EC002848
ETIM 6.0	EC001031	UNSPSC	30-21-18-01
eClass 6.2	27-14-92-14	eClass 7.1	27-14-92-14
eClass 8.1	27-14-92-14	eClass 9.0	27-14-11-92
eClass 9.1	27-18-27-90		

Notes

Notes

Descriptive text technical data

Height: TS 32 = 33.5 mm, TS 35x7.5 = 29 mm**Dimensions of the PCB:****PCB thickness: 1.6 (±0.2) mm****PCB length: 67.8 (-0.2) mm****Intermediary piece width = PCB width minus 2 x 9 mm (clip-in foot)****Example:****PCB width = 68 mm, intermediary piece width = 50 mm, intermediary pieces 2x ZW 25 RS or ZW 45 RS + ZW 5 RS****Approvals**

ROHS Conform

Downloads

Brochure/Catalogue

[FL ANALO.SIGN.CONV. EN](#)
[MB DEVICE MANUF. EN](#)
[CAT 2 PORTFOLIOGUIDE EN](#)
[FL MACHINE SAFETY EN](#)
[FL 72H SAMPLE SER EN](#)
[PO OMNIMATE EN](#)

Creation date August 17, 2017 2:57:56 PM CEST

Catalogue status 11.08.2017 / We reserve the right to make technical changes.

RS 70
RF RS 70 LI/A2/O.SG OR

Weidmüller Interface GmbH & Co. KG
Klingenbergstraße 16
D-32758 Detmold
Germany
Fon: +49 5231 1429-0
Fax: +49 5231 14292083
www.weidmueller.com

Drawings

LOCKING-FOOT LEFT

