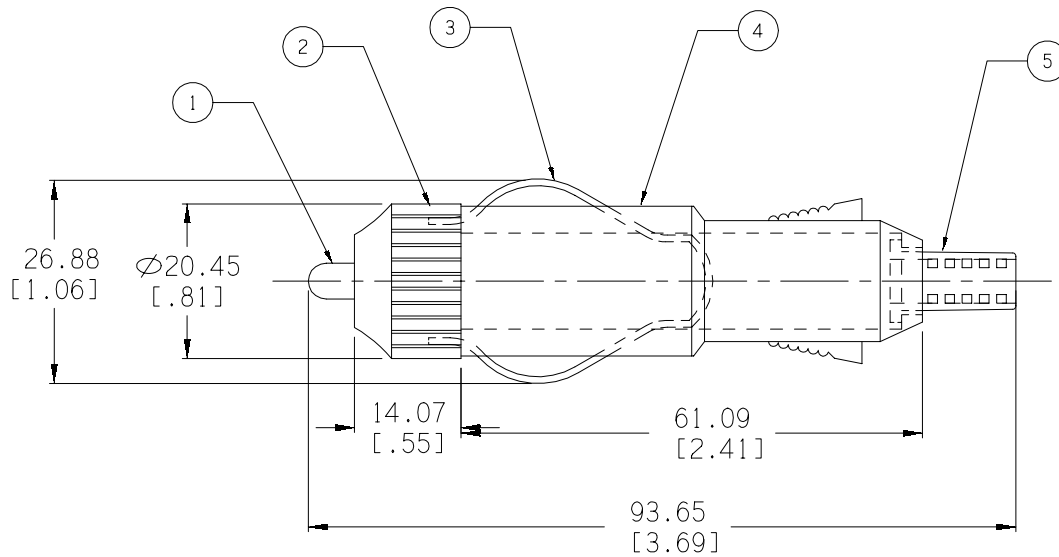



Date	SYM	REVISION RECORD	AUTH	DR.	CK.



ITEM NO.	PART NAME	MATL. SPECIFICATION	CAT. NO.	APPROVED NO.
1	TIP CONTACT (+) TERMINAL	BRASS, NICKLE PLTD.		
2	NOSE CAP	BAKELITE, BLACK	T385J	E59481(S)
3	(-) TERMINAL	SWRH 1067 STEEL LINE, NICKLE PLTD		
4	BODY	ABS, BLACK, UL94-HB	PA-757	E56070(S)
5	STRAIN RELIEF	PVC, 100%		

Tolerance (Inches)	 Memory Protection Devices, Inc. 200 Broad Hollow Road, Farmingdale, New York 11735
Decimal ±.5 (.020)	
Fractional ± .8 (.030)	Title CIGARETTE PLUG FOR 21 OR 22.2mm SOCKETS
Angular ± 3°	Date 02/10/01
	Drawing Number ZA1080
	Scale Drawn By B.S. Approved By T.B.