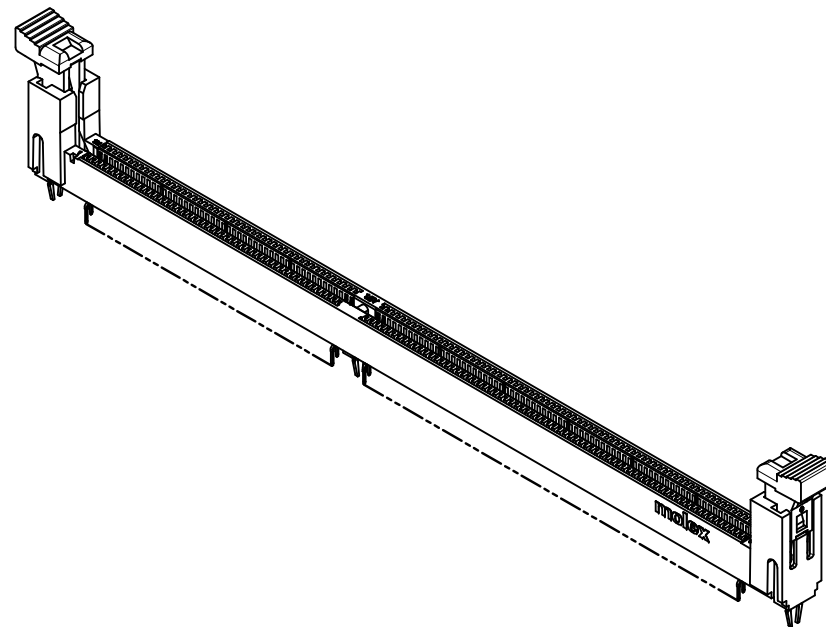
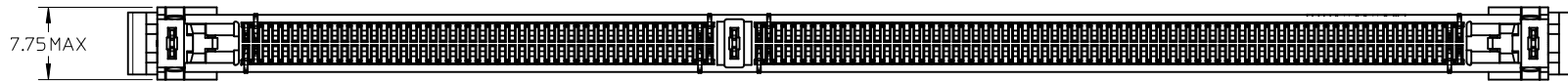
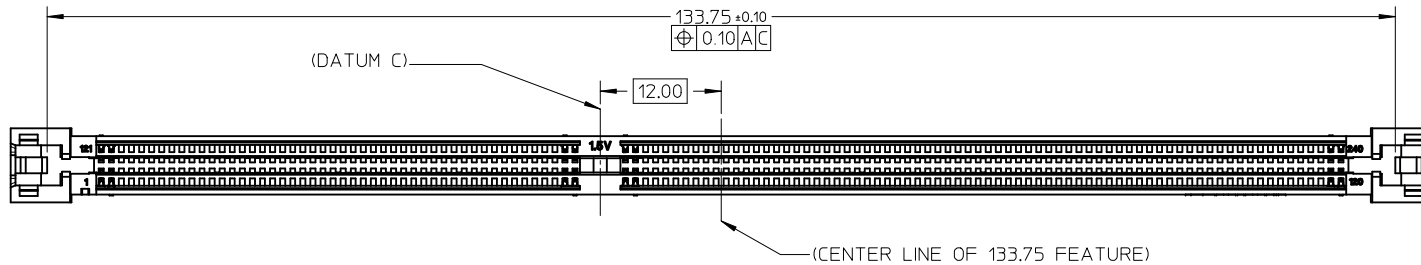


- NOTES :
- MATERIAL : HOUSING - HIGH TEMP. NYLON, GLASS FILLED, UL 94V-0
COLOUR : SEE SHEET 6 AND 7
LATCH - HIGH TEMP NYLON, GLASS FILLED, UL 94V-0
COLOUR : SEE SHEET 6 AND 7
TERMINAL : COPPER ALLOY.
 - TERMINAL PLATING OPTIONS: SEE TABLE ON SHEETS 6 & 7.
 - PRODUCT SPECIFICATION: SEE TABLE ON SHEETS 6 & 7.
 - PACKAGING INFORMATION: PRODUCT SHALL BE PACKED IN TRAY
 - CARD SLOT ACCEPTS 1.27±0.10MM MODULE THICKNESS (MEASURED FROM P.C. PADS).
 - MOLEX LOGO, DATE & PART NO. INDICATED ON HOUSING.
 - MODULE SEATING PLANE FROM TOP OF PCB.
 - KEEP OUT ZONE RESERVED FOR LATCH.

FORKLOCK UPDATED EC NO: S2010-0888 DRWN: JAKEEWEW 2010/04/29 CHKD: CTEH 2010/06/10 APPR: SHLENI 2010/06/13	QUALITY SYMBOLS $F_A=0$ $F_C=0$ $F_P=0$	GENERAL TOLERANCES (UNLESS SPECIFIED) <table border="1"> <thead> <tr> <th></th> <th>mm</th> <th>INCH</th> </tr> </thead> <tbody> <tr> <td>4 PLACES</td> <td>± ---</td> <td>± ---</td> </tr> <tr> <td>3 PLACES</td> <td>± ---</td> <td>± ---</td> </tr> <tr> <td>2 PLACES</td> <td>± 0.2</td> <td>± ---</td> </tr> <tr> <td>1 PLACE</td> <td>± ---</td> <td>± ---</td> </tr> </tbody> </table>		mm	INCH	4 PLACES	± ---	± ---	3 PLACES	± ---	± ---	2 PLACES	± 0.2	± ---	1 PLACE	± ---	± ---	DIMENSION STYLE MM ONLY DRAWN BY: YTYANG01 DATE: 2006/08/11 CHECKED BY: SHLENI DATE: 2006/09/07 APPROVED BY: SHLENI DATE: 2010/06/10	SCALE NTS DESIGN UNITS METRIC THIRD ANGLE PROJECTION	TITLE DDR3 DIMM, 100MM PITCH 240 CKTS, VERTICAL T/H
		mm	INCH																	
	4 PLACES	± ---	± ---																	
	3 PLACES	± ---	± ---																	
2 PLACES	± 0.2	± ---																		
1 PLACE	± ---	± ---																		
MATERIAL NO. SEE TABLE	DOCUMENT NO. SD-78079-001	SHEET NO. 1 OF 8	MOLEX INCORPORATED																	
DRAFT WHERE APPLICABLE MUST REMAIN WITHIN DIMENSIONS						THIS DRAWING CONTAINS INFORMATION THAT IS PROPRIETARY TO MOLEX INCORPORATED AND SHOULD NOT BE USED WITHOUT WRITTEN PERMISSION														
REV A4	DESCRIPTION																			

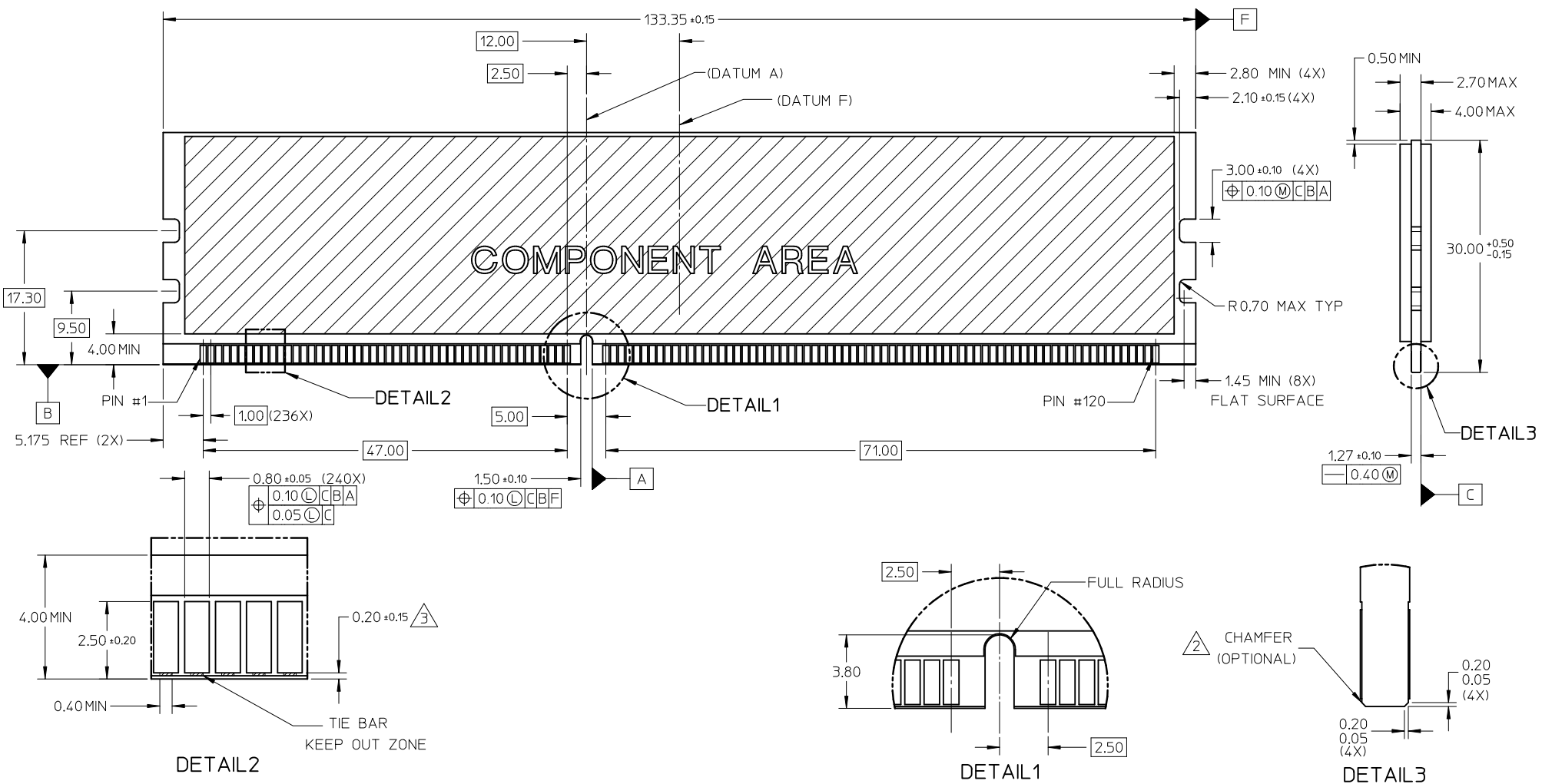
10 9 8 7 6 5 4 3 2 1



FORKLOCK UPDATED EC NO: S2010-0888 DRWN: JAKEEWEW 2010/04/29 CHKD: CCTEH 2010/06/10 APPR: SHLENI 2010/06/13	QUALITY SYMBOLS $\nabla_A = 0$ $\nabla_C = 0$ $\nabla_P = 0$	GENERAL TOLERANCES (UNLESS SPECIFIED)		DIMENSION STYLE MM ONLY		SCALE NTS	DESIGN UNITS METRIC	THIRD ANGLE PROJECTION		
			mm	INCH	DRAWN BY YTYANG01	DATE 2006/08/11	TITLE DDR3 DIMM, 100MM PITCH 240 CKTS, VERTICAL T/H			
		4 PLACES	± ---	± ---	CHECKED BY SHLENI	DATE 2006/09/07	MOLEX INCORPORATED MATERIAL NO. SEE TABLE DOCUMENT NO. SD-78079-001 SHEET NO. 2 OF 8			
		3 PLACES	± ---	± ---	APPROVED BY SHLENI	DATE 2010/06/10				
2 PLACES	± 0.2	± ---	ANGULAR ± 1 °		DRAFT WHERE APPLICABLE MUST REMAIN WITHIN DIMENSIONS					
1 PLACE	± ---	± ---	SIZE A3		THIS DRAWING CONTAINS INFORMATION THAT IS PROPRIETARY TO MOLEX INCORPORATED AND SHOULD NOT BE USED WITHOUT WRITTEN PERMISSION					

9 8 7 6 5 4 3 2 1

MODULE CARD
 DDR3 DUAL IN-LINE MEMORY MODULE FAMILY 1.00MM CONTACT CENTERS
 (JEDEC MO-269, ISSUE B, MAY 06)

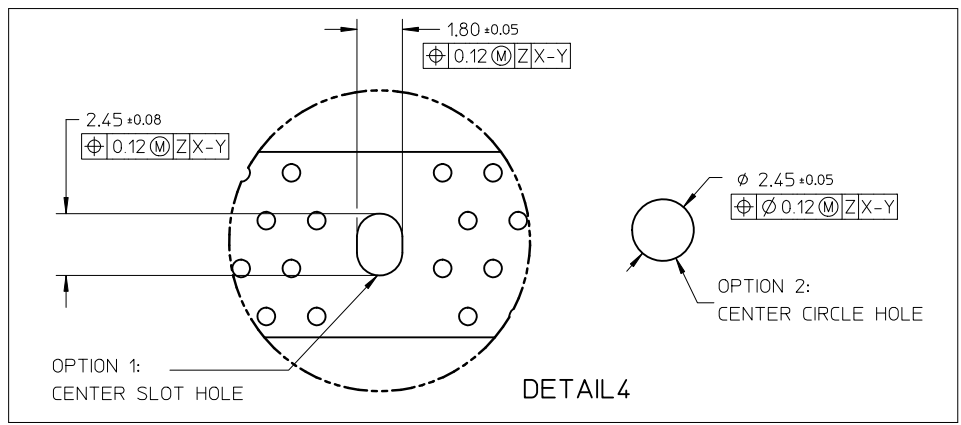
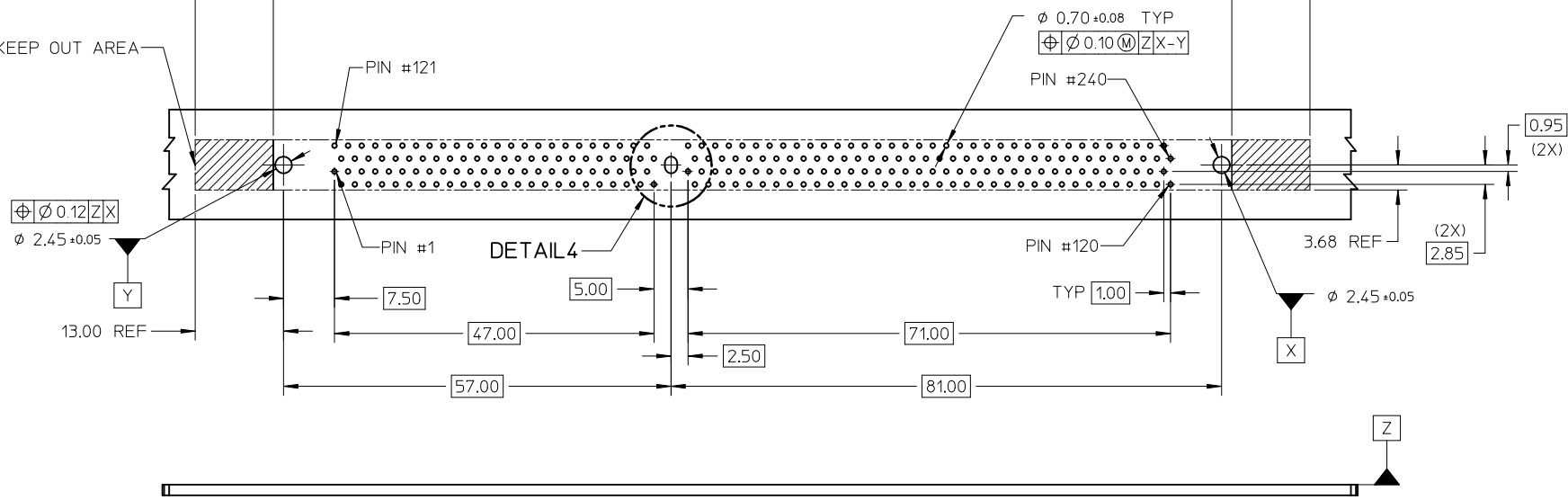


- NOTES:
- RECOMMENDED PLATING FOR CONTACT PADS:
 PREFERRED: 0.76 MICROMETERS GOLD PLATING MIN OVER 2.00 MICROMETERS NICKEL
 ALTERNATIVE: 0.05-0.75 MICROMETERS GOLD PLATING OVER 2.00 MICROMETERS NICKEL MUST USE AN ELECTRONIC CONTACT GRADE CORROSIVE BARRIER LUBRICANT
 - CHAMFER IS OPTIONAL AND IS NOT TO HIT THE GOLD PADS
 - LEADING EDGE OF GOLD PADS SPECIFIED BY KEEPOUT ZONE SHALL BE FREE OF BURRS AND EXTERNAL TIE BARS.

FORKLOCK UPDATED EC NO: S2010-0888 DRWN: JAKEEWEW 2010/04/29 CHYKD: CCTEH 2010/06/10 APPR: SHLENI 2010/06/13	QUALITY SYMBOLS $F_A=0$ $F_C=0$ $F_B=0$	GENERAL TOLERANCES (UNLESS SPECIFIED) <table border="1"> <tr> <th></th> <th>mm</th> <th>INCH</th> </tr> <tr> <td>4 PLACES</td> <td>± ---</td> <td>± ---</td> </tr> <tr> <td>3 PLACES</td> <td>± ---</td> <td>± ---</td> </tr> <tr> <td>2 PLACES</td> <td>± 0.2</td> <td>± ---</td> </tr> <tr> <td>1 PLACE</td> <td>± ---</td> <td>± ---</td> </tr> </table>		mm	INCH	4 PLACES	± ---	± ---	3 PLACES	± ---	± ---	2 PLACES	± 0.2	± ---	1 PLACE	± ---	± ---	DIMENSION STYLE MM ONLY DRAWN BY: YTYANG01 DATE: 2006/08/11 CHECKED BY: SHLENI DATE: 2006/09/07 APPROVED BY: SHLENI DATE: 2010/06/10	SCALE: NTS DESIGN UNITS: METRIC THIRD ANGLE PROJECTION	TITLE: DDR3 DIMM, 1.00MM PITCH 240 CKTS, VERTICAL T/H
		mm	INCH																	
	4 PLACES	± ---	± ---																	
	3 PLACES	± ---	± ---																	
2 PLACES	± 0.2	± ---																		
1 PLACE	± ---	± ---																		
MATERIAL NO.: SEE TABLE	DOCUMENT NO.: SD-78079-001	SHEET NO.: 3 OF 8	MOLEX INCORPORATED																	
DRAFT WHERE APPLICABLE MUST REMAIN WITHIN DIMENSIONS	SIZE: A3	THIS DRAWING CONTAINS INFORMATION THAT IS PROPRIETARY TO MOLEX INCORPORATED AND SHOULD NOT BE USED WITHOUT WRITTEN PERMISSION																		
REV: A4																				

10 9 8 7 6 5 4 3 2 1

KEEP OUT AREA

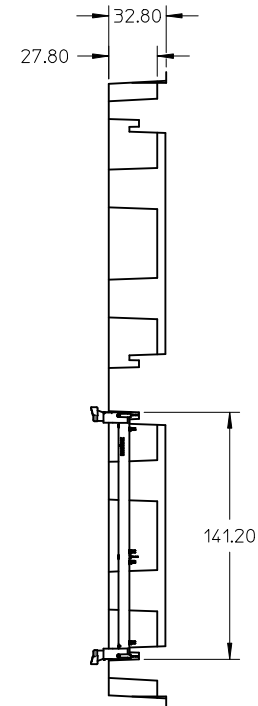
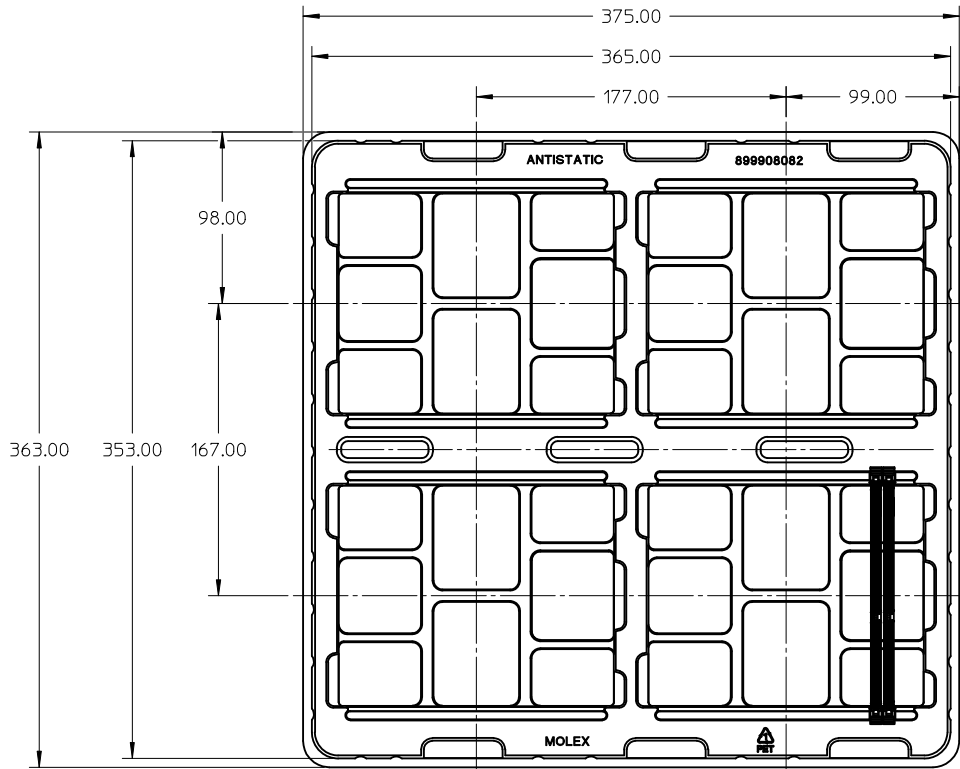


NOTE:
 1. KEEP OUT AREA IS THE AREA WHERE THE CONNECTOR (INCLUDING LATCH) IS MOUNTED ON THE PCB.

FORKLOCK UPDATED EC NO: S2010-0888 DRWN: JAKEEWEW 2010/04/29 CHKD: CCTEH 2010/06/10 APPR: SHLENI 2010/06/13	QUALITY SYMBOLS $F_A=0$ $F_C=0$ $F_P=0$	GENERAL TOLERANCES (UNLESS SPECIFIED) mm INCH 4 PLACES ± --- ± --- 3 PLACES ± --- ± --- 2 PLACES ± 0.2 ± --- 1 PLACE ± --- ± --- ANGULAR ± 1°	DIMENSION STYLE MM ONLY DRAWN BY: YTYANG01 CHECKED BY: SHLENI APPROVED BY: SHLENI MATERIAL NO.: SEE TABLE	SCALE: NTS DESIGN UNITS: METRIC THIRD ANGLE PROJECTION DATE: 2006/08/11 DATE: 2006/09/07 DATE: 2010/06/10	TITLE: DDR3 DIMM, 100MM PITCH 240 CKTS, VERTICAL T/H MOLEX INCORPORATED DOCUMENT NO.: SD-78079-001	SHEET NO.: 4 OF 8
	DRAFT WHERE APPLICABLE MUST REMAIN WITHIN DIMENSIONS	SIZE: A3 THIS DRAWING CONTAINS INFORMATION THAT IS PROPRIETARY TO MOLEX INCORPORATED AND SHOULD NOT BE USED WITHOUT WRITTEN PERMISSION				
	REV: A4					

9 8 7 6 5 4 3 2 1

10 9 8 7 6 5 4 3 2 1



NOTES:
1. QTY OF CAVITY: 20 X 4 = 80 PCS

FORKLOCK UPDATED EC NO: S2010-0888 DRWN: JAKEEWEW 2010/04/29 CHKD: CCTEH 2010/06/10 APPR: SHLENI 2010/06/13	QUALITY SYMBOLS	GENERAL TOLERANCES (UNLESS SPECIFIED)		DIMENSION STYLE MM ONLY		SCALE NTS	DESIGN UNITS METRIC	THIRD ANGLE PROJECTION	
	$F_A=0$	4 PLACES	mm	INCH	DRAWN BY YTYANG01	DATE 2006/08/11	TITLE DDR3 DIMM, 100MM PITCH 240 CKTS, VERTICAL T/H		
	$F_C=0$	3 PLACES	± ---	± ---	CHECKED BY SHLENI	DATE 2006/09/07	MATERIAL NO. SEE TABLE		
	$F_P=0$	2 PLACES	± 0.2	± ---	APPROVED BY SHLENI	DATE 2010/06/10	DOCUMENT NO. SD-78079-001		
		1 PLACE	± ---	± ---	ANGULAR ± 1 °		SHEET NO. 5 OF 8		
		DRAFT WHERE APPLICABLE MUST REMAIN WITHIN DIMENSIONS		SIZE A3		THIS DRAWING CONTAINS INFORMATION THAT IS PROPRIETARY TO MOLEX INCORPORATED AND SHOULD NOT BE USED WITHOUT WRITTEN PERMISSION			

9 8 7 6 5 4 3 2 1

ASSEMBLY PART NO.	VOLTAGE KEY	HOUSING COLOR	LATCH COLOR	DIM 'P'	RECOMMENDED PCB THICKNESS	PLATING OPTION	PRODUCT SPECIFICATION	
78079-0001	CENTRE (1.5V)	BLACK	BLACK	2.67	1.57	0.38 MICROMETER/ 15 MICROINCH MIN. GOLD ON CONTACT 2.54 MICROMETER/ 100 MICROINCH MIN. PURE TIN ON SOLDER TAILS 1.27 MICROMETER/ 50 MICROINCH MIN. NICKEL UNDERPLATE	PS-78079-001	
78079-0003				3.00	2.18			
78079-0002				3.18	2.36			
78079-0011				2.67	1.57	0.76 MICROMETER/ 30 MICROINCH MIN. GOLD ON CONTACT 2.54 MICROMETER/ 100 MICROINCH MIN. PURE TIN ON SOLDER TAILS 1.27 MICROMETER/ 50 MICROINCH MIN. NICKEL UNDERPLATE		PS-78079-002
78079-0013				3.00	2.18			
78079-0012				3.18	2.36			
78079-0021			2.67	1.57	0.076 MICROMETER/ 3 MICROINCH MIN. GOLD ON CONTACT 2.54 MICROMETER/ 100 MICROINCH MIN. PURE TIN ON SOLDER TAILS 1.27 MICROMETER/ 50 MICROINCH MIN. NICKEL UNDERPLATE	PS-78079-003		
78079-0023			3.00	2.18				
78079-0022			3.18	2.36				
78079-0051			NATURAL (OFFWHITE)	2.67	1.57		0.38 MICROMETER/ 15 MICROINCH MIN. GOLD ON CONTACT 2.54 MICROMETER/ 100 MICROINCH MIN. PURE TIN ON SOLDER TAILS 1.27 MICROMETER/ 50 MICROINCH MIN. NICKEL UNDERPLATE	PS-78079-001
78079-0053				3.00	2.18			
78079-0052				3.18	2.36			
78079-0061				2.67	1.57	0.76 MICROMETER/ 30 MICROINCH MIN. GOLD ON CONTACT 2.54 MICROMETER/ 100 MICROINCH MIN. PURE TIN ON SOLDER TAILS 1.27 MICROMETER/ 50 MICROINCH MIN. NICKEL UNDERPLATE	PS-78079-002	
78079-0063				3.00	2.18			
78079-0062				3.18	2.36			
78079-0071			2.67	1.57	0.076 MICROMETER/ 3 MICROINCH MIN. GOLD ON CONTACT 2.54 MICROMETER/ 100 MICROINCH MIN. PURE TIN ON SOLDER TAILS 1.27 MICROMETER/ 50 MICROINCH MIN. NICKEL UNDERPLATE	PS-78079-003		
78079-0073			3.00	2.18				
78079-0072			3.18	2.36				

FORKLOCK UPDATED EC NO: S2010-0888 DRWN: JAKEEWEW 2010/04/29 CHKD: CTEH 2010/06/10 APPR: SHLENI 2010/06/13	QUALITY SYMBOLS	GENERAL TOLERANCES (UNLESS SPECIFIED)	DIMENSION STYLE MM ONLY	SCALE NTS	DESIGN UNITS METRIC	THIRD ANGLE PROJECTION	
	$F_A=0$ $F_C=0$ $F_P=0$	4 PLACES ± --- ± --- 3 PLACES ± --- ± --- 2 PLACES ± 0.2 ± --- 1 PLACE ± --- ± ---	mm INCH DRAWN BY: YTYANG01 DATE: 2006/08/11 CHECKED BY: SHLENI DATE: 2006/09/07 APPROVED BY: SHLENI DATE: 2010/06/10	TITLE	DDR3 DIMM, 1.00MM PITCH 240 CKTS, VERTICAL T/H		
		ANGULAR ± 1 °	DRAFT WHERE APPLICABLE MUST REMAIN WITHIN DIMENSIONS	SIZE A3	MOLEX INCORPORATED		
	A4			SEE TABLE	MATERIAL NO.	DOCUMENT NO.	SHEET NO.
				SD-78079-001		6 OF 8	
				THIS DRAWING CONTAINS INFORMATION THAT IS PROPRIETARY TO MOLEX INCORPORATED AND SHOULD NOT BE USED WITHOUT WRITTEN PERMISSION			

ASSEMBLY PART NO.	VOLTAGE KEY	HOUSING COLOR	LATCH COLOR	DIM 'P'	RECOMMENDED PCB THICKNESS	PLATING OPTION	PRODUCT SPECIFICATION	
78079-0201	CENTRE (1.5V)	BLUE	NATURAL (OFFWHITE)	2.67	1.57	0.38 MICROMETER/ 15 MICROINCH MIN. GOLD ON CONTACT 2.54 MICROMETER/ 100 MICROINCH MIN. PURE TIN ON SOLDER TAILS 1.27 MICROMETER/ 50 MICROINCH MIN. NICKEL UNDERPLATE	PS-78079-001	
78079-0203				3.00	2.18			
78079-0202				3.18	2.36			
78079-0211				2.67	1.57	0.76 MICROMETER/ 30 MICROINCH MIN. GOLD ON CONTACT 2.54 MICROMETER/ 100 MICROINCH MIN. PURE TIN ON SOLDER TAILS 1.27 MICROMETER/ 50 MICROINCH MIN. NICKEL UNDERPLATE		PS-78079-002
78079-0213				3.00	2.18			
78079-0212				3.18	2.36			
78079-0221		2.67	1.57	0.076 MICROMETER/ 3 MICROINCH MIN. GOLD ON CONTACT 2.54 MICROMETER/ 100 MICROINCH MIN. PURE TIN ON SOLDER TAILS 1.27 MICROMETER/ 50 MICROINCH MIN. NICKEL UNDERPLATE	PS-78079-003			
78079-0223		3.00	2.18					
78079-0222		3.18	2.36					
78079-0351		GREEN	NATURAL (OFFWHITE)	2.67	1.57	0.38 MICROMETER/ 15 MICROINCH MIN. GOLD ON CONTACT 2.54 MICROMETER/ 100 MICROINCH MIN. PURE TIN ON SOLDER TAILS 1.27 MICROMETER/ 50 MICROINCH MIN. NICKEL UNDERPLATE	PS-78079-001	
78079-0353				3.00	2.18			
78079-0352				3.18	2.36			
78079-0361				2.67	1.57	0.76 MICROMETER/ 30 MICROINCH MIN. GOLD ON CONTACT 2.54 MICROMETER/ 100 MICROINCH MIN. PURE TIN ON SOLDER TAILS 1.27 MICROMETER/ 50 MICROINCH MIN. NICKEL UNDERPLATE	PS-78079-002	
78079-0363				3.00	2.18			
78079-0362				3.18	2.36			
78079-0371				2.67	1.57	0.076 MICROMETER/ 3 MICROINCH MIN. GOLD ON CONTACT 2.54 MICROMETER/ 100 MICROINCH MIN. PURE TIN ON SOLDER TAILS 1.27 MICROMETER/ 50 MICROINCH MIN. NICKEL UNDERPLATE	PS-78079-003	
78079-0373				3.00	2.18			
78079-0372		3.18	2.36					

FORKLOCK UPDATED EC NO: S2010-0888 DRWN: JAKEEWEW 2010/04/29 CHKD: CCTEH 2010/06/10 APPR: SHLENI 2010/06/13	QUALITY SYMBOLS	GENERAL TOLERANCES (UNLESS SPECIFIED)	DIMENSION STYLE MM ONLY	SCALE NTS	DESIGN UNITS METRIC	THIRD ANGLE PROJECTION	
	$F_A=0$ $F_C=0$ $F_P=0$	mm INCH 4 PLACES ± --- ± --- 3 PLACES ± --- ± --- 2 PLACES ± 0.2 ± --- 1 PLACE ± --- ± --- ANGULAR ± 1 °	DRAWN BY: YTYANG01 DATE: 2006/08/11 CHECKED BY: SHLENI DATE: 2006/09/07 APPROVED BY: SHLENI DATE: 2010/06/10	TITLE: DDR3 DIMM, 1.00MM PITCH 240 CKTS, VERTICAL T/H			
	A4	DRAFT WHERE APPLICABLE MUST REMAIN WITHIN DIMENSIONS	SEE TABLE	MOLEX INCORPORATED DOCUMENT NO. SD-78079-001		SHEET NO. 7 OF 8	
	REV	THIS DRAWING CONTAINS INFORMATION THAT IS PROPRIETARY TO MOLEX INCORPORATED AND SHOULD NOT BE USED WITHOUT WRITTEN PERMISSION					

F

F

E

E

D

D

C

C

B

B

A

A

ASSEMBLY PART NO.	VOLTAGE KEY	HOUSING COLOR	LATCH COLOR	DIM 'P'	RECOMMENDED PCB THICKNESS	PLATING OPTION	PRODUCT SPECIFICATION						
78079-0101	CENTRE (1.5V)	NATURAL (OFFWHITE)	NATURAL (OFFWHITE)	2.67	1.57	0.38 MICROMETER/ 15 MICROINCH MIN. GOLD ON CONTACT 2.54 MICROMETER/ 100 MICROINCH MIN. PURE TIN ON SOLDERTAILS 1.27 MICROMETER/ 50 MICROINCH MIN. NICKEL UNDERPLATE	PS-78079-001						
78079-0103				3.00	2.18								
78079-0102				3.18	2.36								
78079-0111				CENTRE (1.5V)	NATURAL (OFFWHITE)	NATURAL (OFFWHITE)	2.67	1.57	0.76 MICROMETER/ 30 MICROINCH MIN. GOLD ON CONTACT 2.54 MICROMETER/ 100 MICROINCH MIN. PURE TIN ON SOLDERTAILS 1.27 MICROMETER/ 50 MICROINCH MIN. NICKEL UNDERPLATE	PS-78079-002			
78079-0113							3.00	2.18					
78079-0112							3.18	2.36					
78079-0121							CENTRE (1.5V)	NATURAL (OFFWHITE)	NATURAL (OFFWHITE)	2.67	1.57	0.076 MICROMETER/ 3 MICROINCH MIN. GOLD ON CONTACT 2.54 MICROMETER/ 100 MICROINCH MIN. PURE TIN ON SOLDERTAILS 1.27 MICROMETER/ 50 MICROINCH MIN. NICKEL UNDERPLATE	PS-78079-003
78079-0123										3.00	2.18		
78079-0122				3.18	2.36								

FORKLOCK UPDATED EC NO: S2010-0888 DRWN: JAKEEWEW 2010/04/29 CHKD: CTEH 2010/06/10 APPR: SHLENI 2010/06/13	QUALITY SYMBOLS	GENERAL TOLERANCES (UNLESS SPECIFIED)	DIMENSION STYLE MM ONLY	SCALE NTS	DESIGN UNITS METRIC	THIRD ANGLE PROJECTION	
	$\nabla_A = 0$ $\nabla_C = 0$ $\nabla_P = 0$	mm INCH 4 PLACES ± --- ± --- 3 PLACES ± --- ± --- 2 PLACES ± 0.2 ± --- 1 PLACE ± --- ± --- ANGULAR ± 1 °	DRAWN BY: YTYANG01 DATE: 2006/08/11 CHECKED BY: SHLENI DATE: 2006/09/07 APPROVED BY: SHLENI DATE: 2010/06/10	TITLE: DDR3 DIMM, 1.00MM PITCH 240 CKTS, VERTICAL T/H			
	DRAFT WHERE APPLICABLE MUST REMAIN WITHIN DIMENSIONS	SEE TABLE	MATERIAL NO. DOCUMENT NO. SHEET NO. MOLEX INCORPORATED SD-78079-001 8 OF 8				
	SIZE: A3 THIS DRAWING CONTAINS INFORMATION THAT IS PROPRIETARY TO MOLEX INCORPORATED AND SHOULD NOT BE USED WITHOUT WRITTEN PERMISSION						