

NOTES:

- MATERIALS: HOUSING - LIQUID CRYSTAL POLYMER (LCP)
GLASS-FILLED, UL94V-0
TERMINALS - HIGH PERFORMANCE COPPER ALLOY
- FINISH: 30µ MIN GOLD IN CONTACT AREA.
SELECTIVE TIN ON PCB TAILS.
NICKEL OVERALL.
- REFER TO MOLEX PRODUCT SPECIFICATION PS-76060-999
FOR PERFORMANCE SPECIFICATIONS AND ADDITIONAL PCB INFORMATION.
- THIS PART CONFORMS TO CLASS B REQUIREMENTS OF
MOLEX COSMETIC SPEC PS-45499-002.
- PACKAGE PER: PK-70873-759.
- SEE SHEETS 2 & 3 FOR PART NUMBERS AND BOARD RELATIONSHIPS.
- FOR GROUNDED GUIDE PINS USE DIA. 3.56 +/-0.08 (PTH)
DIA. 3.66 (DRILL) AND DIA 6.5 (PAD).
- MATES WITH IMPACT DC SERIES NO. 76060.
- KEEP OUT ZONE FOR BP HOUSING LENGTH INCLUDES AN ADDITIONAL 1.0MM
TO ACCOMMODATE FOR SPACE REQUIRED BY DC FRONT HOUSING.
- REFER TO MOLEX PCB ROUTING GUIDE AS-76060-990 FOR ANTI PAD AND ROUTING RECOMMENDATIONS.
- CONNECTORS SUPPLIED WITH A 2-56 UNC-2A SCREW.
- THESE DIMENSIONS REPRESENT THE AREA NEEDED TO ACCOMMODATE CONNECTOR INSERTION
AND REPAIR ON THE PC BOARD, THIS IS REFERRED TO AS THE 'CONNECTOR KEEP OUT ZONE'
AND DOES NOT REPRESENT THE ACTUAL PERIMETER OF THE CONNECTOR, WHEN LAYING OUT
A PC BOARD FOR CONNECTORS STACK TOGETHER, USE A 1.9mm PROGRESSION.

CONVERT TO LEAD-FREE EC NO: UCP2013-2078 DRAWN BY: J. BARRA 2012/11/26 CHKD BY: B. INGHAM 2012/12/18 APPR: S. MILLER 2012/12/31 REV: J	QUALITY SYMBOLS	GENERAL TOLERANCES (UNLESS SPECIFIED)	DIMENSION STYLE	SCALE	DESIGN UNITS	THIRD ANGLE PROJECTION	
	▽=0	4 PLACES ± mm ± INCH	MM ONLY	4:1	METRIC		
	▽=0	3 PLACES ± ± ±					
	▽=0	2 PLACES ±0.13 ± ± ±					
		1 PLACE ±0.25 ± ± ±					
		0 PLACE ± ± ±					
		ANGULAR ±1/2°					
		DRAFT WHERE APPLICABLE MUST REMAIN WITHIN DIMENSIONS					
			MATERIAL NO.	DOCUMENT NO.			
			SEE TABLE	SD-76055-002			
						SHEET NO. 1 OF 3	
			THIS DRAWING CONTAINS INFORMATION THAT IS PROPRIETARY TO MOLEX INCORPORATED AND SHOULD NOT BE USED WITHOUT WRITTEN PERMISSION				

PART NUMBER LOGIC

76055-****

MODULE TYPE

- 3 = GUIDE LEFT, TIN
- 7 = GUIDE LEFT END WALL, TIN

PIN LENGTH (P)

- 3 = 4.50 (SHORT COMPLIANT, 0.46±0.05 PTH)
- 4 = 4.90 (SHORT COMPLIANT, 0.46±0.05 PTH)
- 5 = 5.50 (SHORT COMPLIANT, 0.46±0.05 PTH)
- 6 = 4.50 (MICRO COMPLIANT, 0.39±0.05 PTH)
- 7 = 4.90 (MICRO COMPLIANT, 0.39±0.05 PTH)
- 8 = 5.50 (MICRO COMPLIANT, 0.39±0.05 PTH)

OF COLUMNS

- 1 = 10 COL
- 2 = 12 COL
- 6 = 16 COL
- 7 = 14 COL

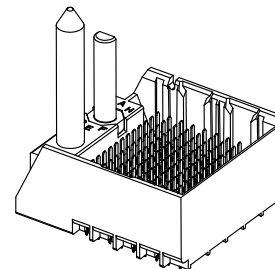
KEY ORIENTATION

- 0 = NO KEY
- 1 = A
- 2 = B
- 3 = C
- 4 = D
- 5 = E
- 6 = F
- 7 = G
- 8 = H

PART NUMBER TABLE

MATERIAL NUMBER	# OF COLUMNS	# OF DIFF PAIR	DIM "A"	DIM "B"
76055-*1**	10	50	26.9	17.10
76055-*2**	12	60	30.7	20.90
76055-*7**	14	70	34.5	24.70
76055-*6**	16	80	38.3	28.50

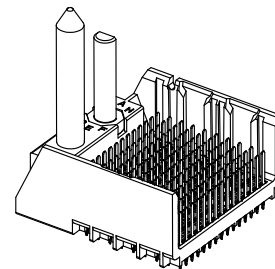
GUIDE LEFT
END WALL
OPTION



GUIDE LEFT
END WALL
OPTION

MATERIAL NUMBER	# OF COLUMNS	# OF DIFF PAIR	DIM "A"	DIM "B"
76055-*1**	10	50	25.5	17.10
76055-*2**	12	60	29.3	20.90
76055-*7**	14	70	33.1	24.70
76055-*6**	16	80	36.9	28.50

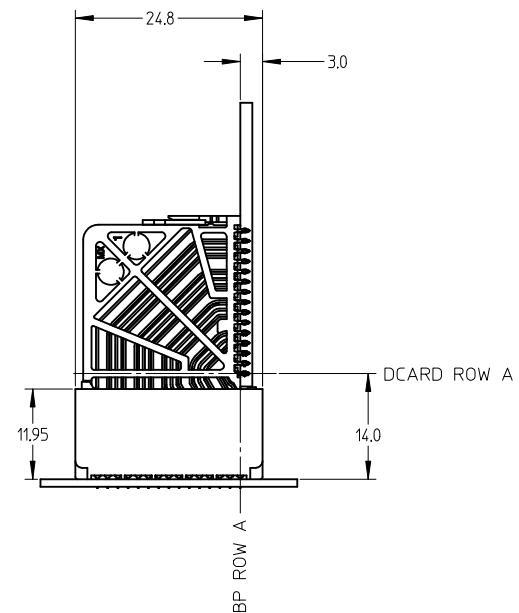
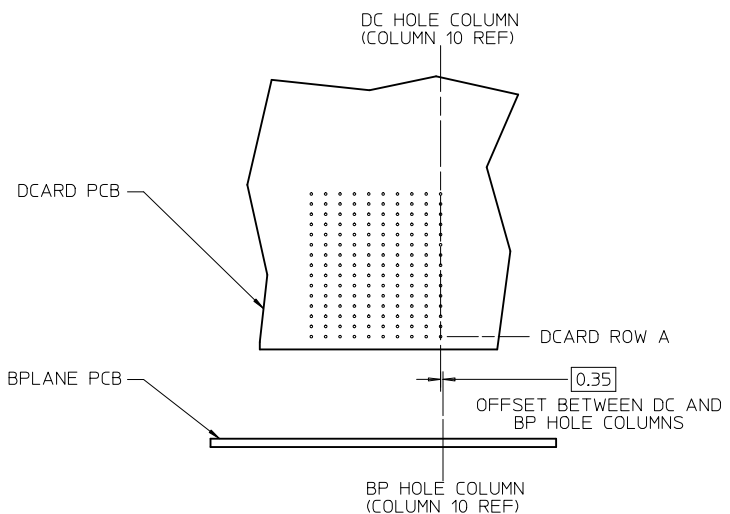
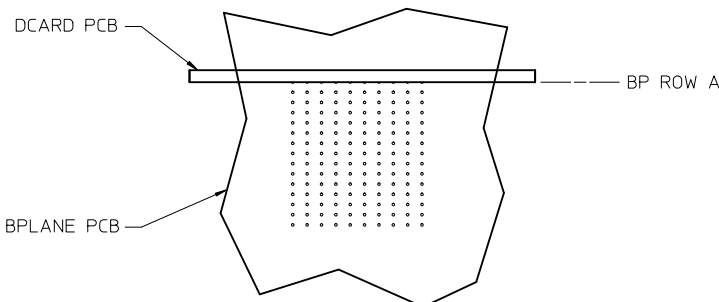
GUIDE LEFT
OPEN WALL
OPTION



GUIDE LEFT
OPEN WALL
OPTION

SEE SHEET 1 EC NO: UCP2013-2078 DRWN: TIBARRA 2012/11/26 CHKD: BINGHAM 2012/12/18 APPR: MILLER 2012/12/31	DESCRIPTION REV	QUALITY SYMBOLS	GENERAL TOLERANCES (UNLESS SPECIFIED)	DIMENSION STYLE MM ONLY		SCALE 2:1	DESIGN UNITS METRIC	THIRD ANGLE PROJECTION
		▽=0	mm	INCH	DRAWN BY MSANDBERG	DATE 05/24/2007	TITLE IMPACT 5 PAIR HEADER LEFT GUIDED ASSEMBLY SALES DRAWING molex MATERIAL NO. SEE TABLE DOCUMENT NO. SD-76055-002 SHEET NO. 2 OF 3	
		▽=0	4 PLACES ± ---	± ---	CHECKED BY JLAURX	DATE 05/24/2007		
		▽=0	3 PLACES ± ---	± ---	APPROVED BY JLAURX	DATE 2010/10/15		
			2 PLACES ± 0.13	± ---	MATERIAL NO.			
	1 PLACE ± 0.25	± ---	DOCUMENT NO.					
	0 PLACE ±	±	ANGULAR ±1/2°		DRAFT WHERE APPLICABLE MUST REMAIN WITHIN DIMENSIONS		THIS DRAWING CONTAINS INFORMATION THAT IS PROPRIETARY TO MOLEX INCORPORATED AND SHOULD NOT BE USED WITHOUT WRITTEN PERMISSION	

IMPACT 5 PAIR
BOARD RELATIONSHIPS



SEE SHEET 1 EC NO: UCP2013-2078 DRWN: TIBARRA 2012/11/26 CHKD: JBINGHAM 2012/12/18 APPR: SMILLER 2012/12/31	QUALITY SYMBOLS	GENERAL TOLERANCES (UNLESS SPECIFIED)		DIMENSION STYLE MM ONLY		SCALE 2:1	DESIGN UNITS METRIC	THIRD ANGLE PROJECTION	
	▽=0	mm	INCH	DRAWN BY	DATE	TITLE IMPACT 5 PAIR HEADER LEFT GUIDED ASSEMBLY SALES DRAWING molex			
	▽=0	4 PLACES ± ---	± ---	MSANDBERG	05/24/2007				
	▽=0	3 PLACES ± ---	± ---	CHECKED BY	DATE	DOCUMENT NO. SD-76055-002			
▽=0	2 PLACES ± 0.13	± ---	JLAURX	05/24/2007					
	1 PLACE ± 0.25	± ---	APPROVED BY	DATE	SHEET NO. 3 OF 3				
	0 PLACE ±	±	JLAURX	2010/10/15					
		ANGULAR ±1/2°		MATERIAL NO.					
		DRAFT WHERE APPLICABLE MUST REMAIN WITHIN DIMENSIONS		SEE TABLE					
				SIZE C		THIS DRAWING CONTAINS INFORMATION THAT IS PROPRIETARY TO MOLEX INCORPORATED AND SHOULD NOT BE USED WITHOUT WRITTEN PERMISSION			