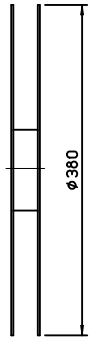
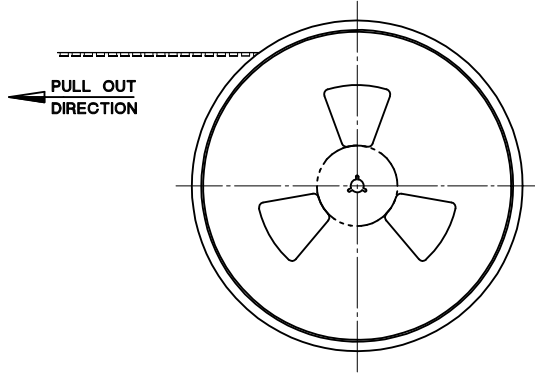


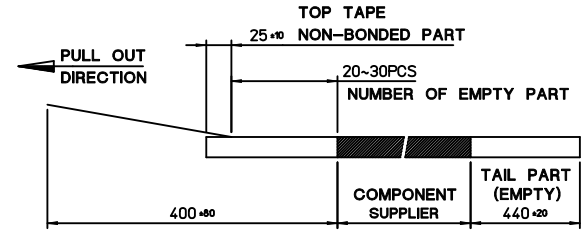
⑨	SPRING	49225-9001	STAINLESS STEEL	
⑧	PIN ROD	49225-9002	STAINLESS STEEL	
⑦	STOPPER TERMINAL	49772-8003	PHOS.-BRONZE	PURE-Sn over Ni
⑥	GND. TERMINAL	49771-8003	PHOS.-BRONZE	Selective-Au over Ni
⑤	SWITCH TERMINAL	49770-8003	PHOS.-BRONZE	Selective-Au over Ni
④	HEART CAM	49355-0001	LIQUID CRYSTAL POLYMER	Natural Color
③	HOUSING	49225-0891	LIQUID CRYSTAL POLYMER	
②	METAL SHELL	49769-5003	STAINLESS STEEL	Selective-Au over Ni
①	CONTACT TERMINAL 1,2,3	49768-8*30	PHOS.-BRONZE	Selective-Au over Ni
NO.	DESCRIPTION	ENGINEERING NO.	MATERIALS	FINISHES

REVISED EC NO: DRWN: SUNGHYUK JOO 2010/02/23 CHKD: YSOOK IM APPR:	QUALITY SYMBOLS	GENERAL TOLERANCES (UNLESS SPECIFIED)		DIMENSION STYLE MM ONLY		SCALE 5:1	DESIGN UNITS METRIC	THIRD ANGLE PROJECTION		
	▽=0 ∇=0	4 PLACES	± ---	± ---	DRAWN BY S. H. JOO	DATE 2005/09/14	TITLE M-SD MEMORY CARD SOCKET P/P.REVERSE, WITH SWT LOW RETENTION FORCE			
		3 PLACES	± ---	± ---	CHECKED BY	DATE				
		2 PLACES	± 0.15	± ---	APPROVED BY S. J. SEH		DATE 2005/09/14		DOCUMENT NO. SD-49225-201	
		1 PLACE	± 0.20	± ---						
	ANGULAR ± 1 °		MATERIAL NO. SEE TABLE		SHEET NO. 2 OF 3					
	DRAFT WHERE APPLICABLE MUST REMAIN WITHIN DIMENSIONS		SIZE A3		THIS DRAWING CONTAINS INFORMATION THAT IS PROPRIETARY TO MOLEX INCORPORATED AND SHOULD NOT BE USED WITHOUT WRITTEN PERMISSION					



NOTES

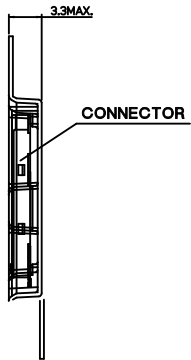
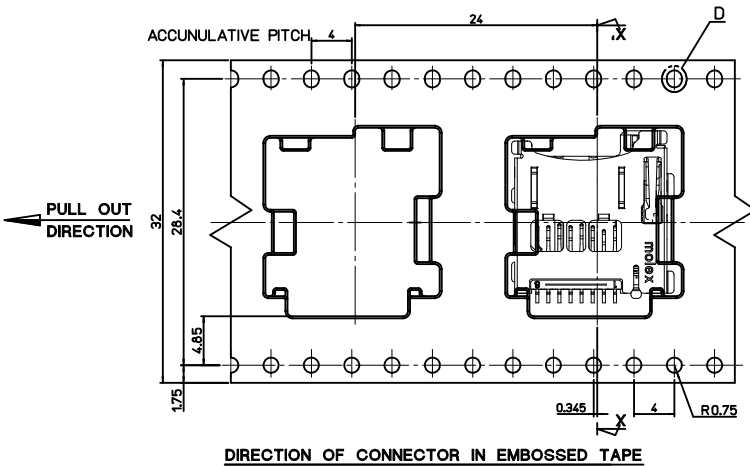
- 1. QUANTITY OF CONNECTORS : 1,100PCS/REEL
- 2. LEAD LENGTH



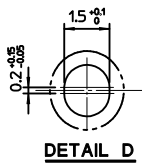
- 3. PEELING OFF FORCE OF COVER TAPE : 0.1N~0.59N(10.2GF~60GF)
(PEELING DIRECTION AS SHOW IN FOLLOW FIG.)
- PEELING OFF SPEED : 300mm/MIn.(Ref.)



35902-1011	35908-1003	35902-2108	49225-0811	492250817	49225-0817	8
COVER TAPE	REEL	EMBOSSSED TAPE	CONNECTOR	MATERIAL NO.	ENG. NO.	CKT



DIRECTION OF CONNECTOR IN EMBOSSSED TAPE



REVISED EC NO: DRWN: SUNGHYUK.00 2010/02/23 CHKD: YS00KIM APPR:	DESCRIPTION	QUALITY SYMBOLS	GENERAL TOLERANCES (UNLESS SPECIFIED)	DIMENSION STYLE	SCALE	DESIGN UNITS	THIRD ANGLE PROJECTION
		▽=0 ∠=0	mm INCH	MM ONLY	2:1	METRIC	
REV	REV	4 PLACES	± --- ± ---	DRAWN BY	DATE	TITLE	
		3 PLACES	± --- ± ---	S. H. JOO	2005/09/14	M-SD MEMORY CARD SOCKET P/P.REVERSE.WITH SWT LOW RETENTION FORCE	
		2 PLACES	± 0.15 ± ---	CHECKED BY	DATE	MOLEX INCORPORATED	
		1 PLACE	± 0.20 ± ---	APPROVED BY	DATE	DOCUMENT NO.	
		ANGULAR ± 1 °		S. J. SEH	2005/09/14	SD-49225-201	
		DRAFT WHERE APPLICABLE MUST REMAIN WITHIN DIMENSIONS		MATERIAL NO.	SHEET NO.		
				SEE TABLE	3 OF 3		
				SIZE	THIS DRAWING CONTAINS INFORMATION THAT IS PROPRIETARY TO MOLEX INCORPORATED AND SHOULD NOT BE USED WITHOUT WRITTEN PERMISSION		
				A3			

9	SPRING	49225-9001	STAINLESS STEEL	
8	PIN ROD	49225-9002	STAINLESS STEEL	
7	STOPPER TERMINAL	49772-8003	PHOS.-BRONZE	PURE-Sn over Ni
6	GND. TERMINAL	49771-8003	PHOS.-BRONZE	Selective-Au over Ni
5	SWITCH TERMINAL	49770-8003	PHOS.-BRONZE	Selective-Au over Ni
4	HEART CAM	49355-0001	LIQUID CRYSTAL POLYMER	Natural Color
3	HOUSING	49225-0891	LIQUID CRYSTAL POLYMER	
2	METAL SHELL	49769-5003	STAINLESS STEEL	Selective-Au over Ni
1	CONTACT TERMINAL 1,2,3	49768-8*30	PHOS.-BRONZE	Selective-Au over Ni
NO.	DESCRIPTION	ENGINEERING NO.	MATERIALS	FINISHES

DWG. NO. SD-49225-201
 SIMILAR ITEM
 PROJECT NO. C
 B
 DO NOT SCALE DRAWING DIMENSION IN METRIC

F
 E
 D
 C
 B
 A

NEW RELEASE ECN NO. KOR2007-0077 DRWN: S.H.JOO 08/12/29 CHK: APPR: S.J.SEH	QUALITY SYMBOLS	GENERAL TOLERANCES: (UNLESS SPECIFIED)	SCALE 5 / 1	DESIGN UNITS <input checked="" type="checkbox"/> mm <input type="checkbox"/> INCH	<input type="checkbox"/> THIRD ANGLE PROJECTION <input type="checkbox"/> DIMENSIONS: <input type="checkbox"/> mm <input type="checkbox"/> INCH <input checked="" type="checkbox"/> mm ONLY	TITLE: microSD MEMORY CARD SOCKET PUSH-PUSH / REVERSE TYPE / WITH SWITCH (LOW RETENTION FORCE VERSION)	
	MAJOR $\nabla = 0$	4 PLACES $\pm 0.$ \pm	4 PLACES $\pm 0.$ \pm	DRAWN BY & DATE S.H.JOO 05/09/14			
	CRITICAL $\nabla C = 0$	3 PLACES $\pm 0.$ \pm	3 PLACES $\pm 0.$ \pm	CHECKED BY & DATE S.H.JOO			
	REV	2 PLACES ± 0.15 \pm	2 PLACES ± 0.15 \pm	APPROVED BY & DATE S.J.SEH			
	1 PLACE ± 0.2 \pm	1 PLACE ± 0.2 \pm	ANGULAR: \pm $^{\circ}$	CAD FILENAME SD49225002.MI	MATERIAL NO. SEE TABLE	DRAWING NO. SD-49225-201	SHEET NO. 1 OF 2
DRAFT WHERE APPLICABLE MUST REMAIN WITHIN DIMENSIONS			THIS DRAWING CONTAINS INFORMATION THAT IS PROPRIETARY TO MOLEX INCORPORATED AND SHOULD NOT BE USED WITHOUT WRITTEN PERMISSION.			SIZE B	

492250821	49225-0821
MATERIAL NO.	ENGINEERING NO.
SHT	REV
REVISE ON CAD ONLY	