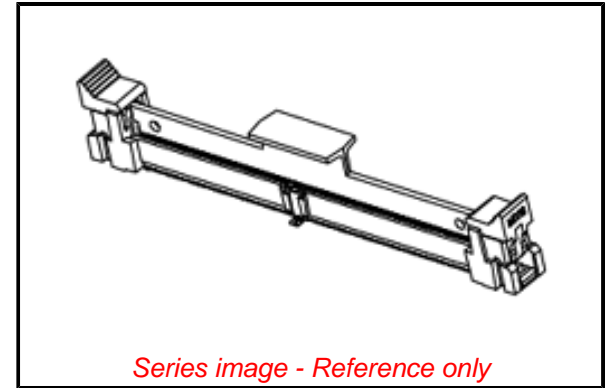


PLEASE CHECK WWW.MOLEX.COM FOR LATEST PART INFORMATION

Part Number: [0877823005](#)
Status: **Active**
Overview: MiniDIMM Sockets
Description: 0.60mm Pitch miniDIMM DDR3 Socket, Vertical, Surface Mount, 0.76µm Gold (Au) over Nickel, 1.5V, with Pick and Place Cover, 244 Circuits, Natural (Off White) Latch, Type A Tray, Lead-Free

Documents:

3D Model	Application Specification AS-87782-001-001 (PDF)
Drawing (PDF)	Packaging Specification PK-87782-004 (PDF)
Product Specification PS-87782-027-001 (PDF)	RoHS Certificate of Compliance (PDF)



Agency Certification

CSA	LR19980
UL	E29179

General

Product Family	Memory Module Sockets
Series	87782
Comments	With Cap
Component Type	Socket
JEDEC Outline	MO-244
Overview	MiniDIMM Sockets
Product Name	MiniDIMM
UPC	883906426224

Physical

Circuits (Loaded)	244
Circuits (maximum)	244
Durability (mating cycles max)	25
Entry Angle	Vertical (Top Entry)
Flammability	94V-0
Housing Color	Black
Keying to Mating Part	Yes
Latch Color	Natural (Off-White)
Material - Metal	Copper Alloy
Material - Plating Mating	Gold
Material - Plating Termination	Tin
Material - Resin	High Temperature Thermoplastic
Net Weight	7.365/g
PCB Locator	Yes
PCB Retention	Yes
Packaging Type	Tray
Pitch - Mating Interface	0.60mm
Pitch - Termination Interface	0.60mm
Plating min - Mating	0.762µm
Plating min - Termination	2.540µm
Temperature Range - Operating	-55° to +85°C
Termination Interface: Style	Surface Mount

Electrical

Current - Maximum per Contact	1.0A
Voltage - Maximum	30V (RMS)
Voltage Key	1.5V

Solder Process Data

Duration at Max. Process Temperature (seconds)	005
Lead-free Process Capability	SMC&WAVE

EU ELV

Not Relevant

EU RoHS

Compliant

REACH SVHC

Contained Per -
D(2020)4578-DC (25
June 2020)
diisohexyl phthalate
1,2-
Benzenedicarboxylic
acid, dihexyl ester,
bra
2-(2H-benzotriazol-2-
yl)-4-(tert-butyl)-6-
(sec-b
2-(2H-benzotriazol-2-
yl)-4,6-
ditertpentylphenol
2-ethylhexyl 10-
ethyl-4,4-dioctyl-7-
oxo-8-oxa-3,
Ammonium-
pentadecafluorooctanoate
1,3-propanesultone
dibutyltin dichloride
1,2-diethoxyethane
1,2-
Benzenedicarboxylic
acid, bis(3-
methylbutyl)
disodium 3,3'-[[1,1'-
biphenyl]-4,4'-
diylbis(azo)
decamethylcyclopentasiloxane
Octanoic acid,
2,2,3,3,4,4,5,5,6,6,7,7,8,8,8-
pen
Dipentyl phthalate
Perfluorohexane-1-
sulphonic acid and its
salts

China RoHS

Max. Cycles at Max. Process Temperature 002
Process Temperature max. C 260

Material Info

Reference - Drawing Numbers

Application Specification AS-87782-001-001
Electrical Model Document EE-87782-001, EE-87782-002, EE-87782-003,
EE-87782-007
Packaging Specification PK-87782-004
Product Specification PS-87782-027-001
S-Parameter Model SP-87782-001, SP-87782-007
Sales Drawing SD-87782-001

reaction mass of
2-ethylhexyl 10-
ethyl-4,4-dioct
Methylhexahydrophthalic
anhydride
Perfluorononan-1-
oic acid
(2,2,3,3,4,4,5,5,6,6,7
Dodecachloropentacyclo[12.2.1.16,9.02,13.05,10]o
Pyrene
Perfluorobutane
sulfonic acid (PFBS)
and its sal
Tris(4-nonylphenyl,
branched and linear)
phosphi
Nonadecafluorodecanoic
acid (PFDA) and its
sodi
Boric acid
n-pentyl-
isopentylphthalate
1,2-
Benzenedicarboxylic
acid, dipentyl ester, br
diisohexyl phthalate
lead dinitrate
cadmium
lead
orange lead
cadmium sulphide
cadmium oxide (non-
pyrophoric)
bis(pentabromophenyl)
ether
1,2-bis(2-
methoxyethoxy)ethane
1,2-dimethoxyethane
pentazinc chromate
octahydroxide
bis(2-methoxyethyl)
ether
Strontium-chromate
Lead sulfochromate
yellow
Dipentyl phthalate
ethylene thiourea
dihexyl phthalate
(DnHP)
4-aminoazobenzene
benzo[a]pyrene
[phthalato(2-)]dioxotrilead
Sulfurous acid, lead
salt, dibasic
lead cyanamidate
Lead titanium
zirconium oxide
dioxobis(stearato)trilead
pentalead tetraoxide
sulphate
lead oxide sulfate
lead dinitrate
Halogen-Free
Status
Not Low-Halogen

For more information, please visit [Contact US](#)

China ROHS	Green Image
ELV	Not Relevant
RoHS Phthalates	Not Contained

Search Parts in this Series

[87782](#) Series

Mates With

JEDEC MO-244 Modules

This document was generated on 01/06/2021

PLEASE CHECK WWW.MOLEX.COM FOR LATEST PART INFORMATION