

NOTES:

1. MATERIAL:

HOUSING - LCP, GLASS FILLED, UL94-V0, COLOR: BLACK
POWER PIN - COPPER ALLOY

(A3) 2. FINISH OPTION:

TIN - 0.764μm MINIMUM GOLD AT CONTACT AND
2.544μm MINIMUM TIN AT SOLDERTAIL AREA OVER
1.274μm MINIMUM NICKEL UNDERPLATE OVERALL.

3. PRODUCT SPECIFICATION: PS-78213-001.

4. PACKAGING SPECIFICATION: PK-78211-001.

5. MATES WITH 78247-**** & 78212-****.

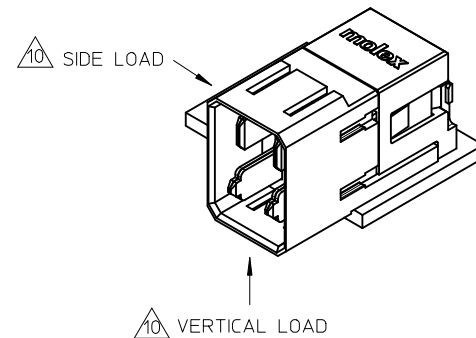
6. REFER TO SHEET 3 FOR RECOMMENDED PCB LAYOUT.

7. REFER TO MOLEX PRODUCT SPECIFICATION PS-78213-001 FOR PLATED THROUGH-HOLE SPECIFICATIONS.

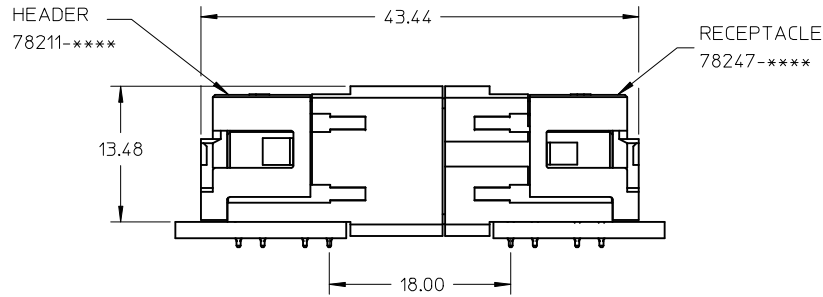
8. PART NUMBER AND DATE CODE (YYDDD) APPROXIMATELY SHOWN.

9. KEEP OUT ZONE FROM OTHER COMPONENTS.

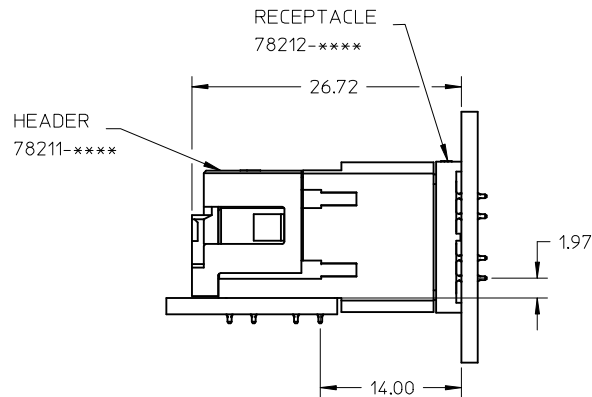
10. CONNECTOR-TO-PCB RETENTION FORCE SHALL WITHSTAND VERTICAL LOAD OF 1.5KGF AND SIDE LOAD OF 3KGF MAXIMUM RESPECTIVELY. FOR APPLICATION THAT REQUIRES MORE CONNECTOR-TO-PCB RETENTION FORCE, PLEASE CONTACT MOLEX SALES TECHNICAL PERSONNEL FOR RECOMMENDATION.



REMOVE TIN/LEAD OPT EC NO: S2013-0278 DRWN:HCGH 2012/11/15 CHKD:HCGH 2013/06/12 APPR:SHONG 2013/06/13	DESCRIPTION	QUALITY SYMBOLS	GENERAL TOLERANCES (UNLESS SPECIFIED)		DIMENSION STYLE	SCALE	DESIGN UNITS	THIRD ANGLE PROJECTION		
		▽=0 ◻=0	mm	INCH	MM ONLY	NTS	METRIC			
			4 PLACES ± --- ± ---	DRAWN BY	DATE	TITLE				
			3 PLACES ± --- ± ---	LANG	2007/11/26	IMPACT POWER, 3 PAIR RIGHT ANGLE HEADER PRESS-FIT				
	2 PLACES ± 0.25 ± ---	CHECKED BY	DATE	MOLEX INCORPORATED						
	1 PLACE ± --- ± ---	ANG	2007/12/10	DOCUMENT NO. SD-78211-002						
	ANGULAR ± 3 °	APPROVED BY	DATE	SHEET NO. 1 OF 3						
		SHONG	2007/12/11	THIS DRAWING CONTAINS INFORMATION THAT IS PROPRIETARY TO MOLEX INCORPORATED AND SHOULD NOT BE USED WITHOUT WRITTEN PERMISSION						
		MATERIAL NO.	SEE TABLE							
		SIZE	A3							

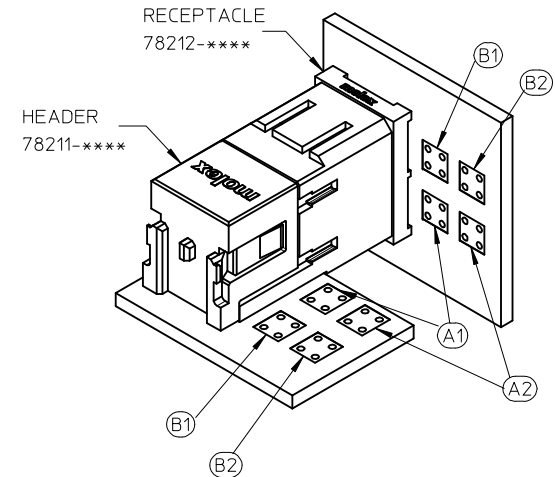
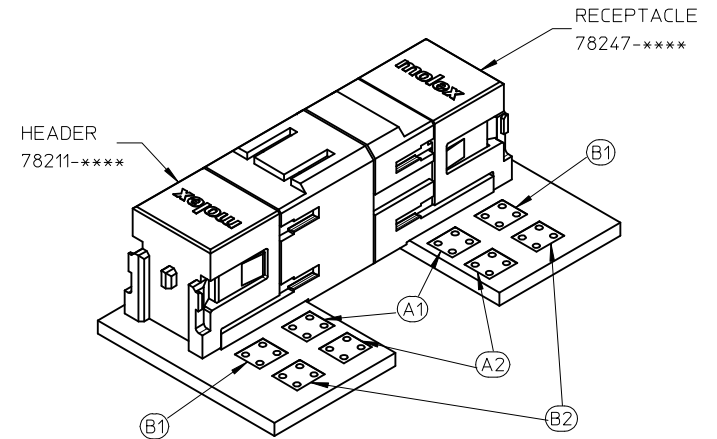


RIGHT ANGLE HEADER (78211) & RIGHT ANGLE RECEPTACLE (78247)



RIGHT ANGLE HEADER (78211) & VERTICAL RECEPTACLE (78212)

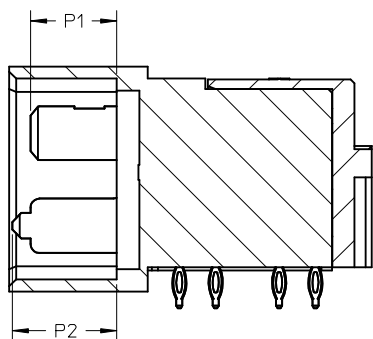
⚠ MATED SYSTEM OPTIONS WITH 78211



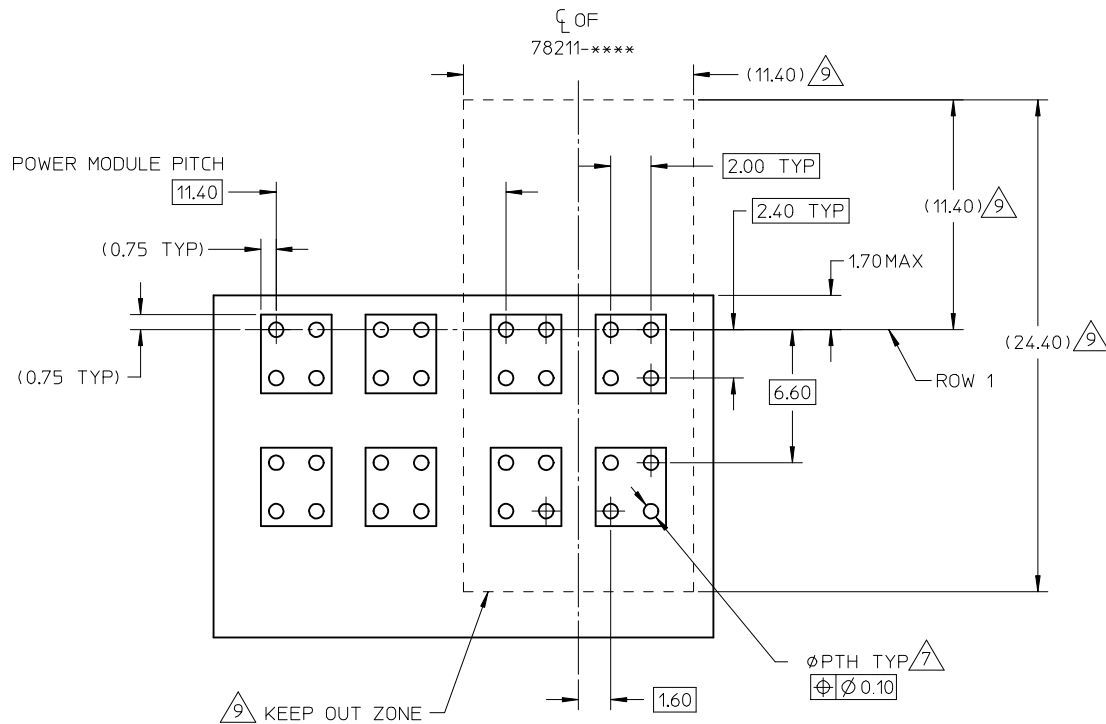
CIRCUIT PATH OF MATED SYSTEM

SEE SHEET 1 EC NO: S2013-0278 DRWN:HCGH 2012/11/15 CHKD:HCGH 2013/06/12 APPR:SHONG 2013/06/13	QUALITY SYMBOLS ▽=0 ◻=0	GENERAL TOLERANCES (UNLESS SPECIFIED) mm INCH 4 PLACES ± --- ± --- 3 PLACES ± --- ± --- 2 PLACES ± 0.25 ± --- 1 PLACE ± --- ± --- ANGULAR ± 3 °	DIMENSION STYLE MM ONLY DRAWN BY: LNG DATE: 2007/11/26 CHECKED BY: ANG DATE: 2007/12/10 APPROVED BY: SHONG DATE: 2007/12/11	SCALE NTS	DESIGN UNITS METRIC	THIRD ANGLE PROJECTION	TITLE IMPACT POWER, 3 PAIR RIGHT ANGLE HEADER PRESS-FIT MOLEX INCORPORATED SD-78211-002	SHEET NO. 2 OF 3
	DRAFT WHERE APPLICABLE MUST REMAIN WITHIN DIMENSIONS	MATERIAL NO. SEE TABLE	DOCUMENT NO. SD-78211-002					
	SIZE A3	THIS DRAWING CONTAINS INFORMATION THAT IS PROPRIETARY TO MOLEX INCORPORATED AND SHOULD NOT BE USED WITHOUT WRITTEN PERMISSION						
	SEE SHEET 1							

PART NUMBER	P1 (APPLIES TO B1 & B2)	P2 (APPLIES TO A1 & A2)	PLATING OPTIONS	PACKAGING
78211-1011	6.90	6.90	A3 TIN PLATING	TRAY
78211-1022	5.70	5.70		
78211-1033	6.90	5.70		
78211-1044	5.70	6.90		



SECTION Z-Z



RECOMMENDED PCB LAYOUT

(COMPONENT SIDE SHOWN)
MINIMUM BOARD THICKNESS: 1.60mm

SEE SHEET 1 EC NO: S2013-0278 DRWN: HCGH 2012/11/15 CHKD: HCGH 2013/06/12 APPR: SHONG 2013/06/13	QUALITY SYMBOLS	GENERAL TOLERANCES (UNLESS SPECIFIED)	DIMENSION STYLE	SCALE	DESIGN UNITS	THIRD ANGLE PROJECTION															
	$\nabla = 0$ $\nabla C = 0$	<table border="1"> <thead> <tr> <th></th> <th>mm</th> <th>INCH</th> </tr> </thead> <tbody> <tr> <td>4 PLACES</td> <td>± ---</td> <td>± ---</td> </tr> <tr> <td>3 PLACES</td> <td>± ---</td> <td>± ---</td> </tr> <tr> <td>2 PLACES</td> <td>± 0.25</td> <td>± ---</td> </tr> <tr> <td>1 PLACE</td> <td>± ---</td> <td>± ---</td> </tr> </tbody> </table>		mm	INCH	4 PLACES	± ---	± ---	3 PLACES	± ---	± ---	2 PLACES	± 0.25	± ---	1 PLACE	± ---	± ---	MM ONLY	NTS	METRIC	
		mm	INCH																		
	4 PLACES	± ---	± ---																		
3 PLACES	± ---	± ---																			
2 PLACES	± 0.25	± ---																			
1 PLACE	± ---	± ---																			
DESCRIPTION	ANGULAR ± 3 °	DRAWN BY: LNG CHECKED BY: ANG APPROVED BY: SHONG MATERIAL NO.: SEE TABLE	DATE: 2007/11/26 DATE: 2007/12/10 DATE: 2007/12/11	TITLE	IMPACT POWER, 3 PAIR RIGHT ANGLE HEADER PRESS-FIT																
REV		DRAFT WHERE APPLICABLE MUST REMAIN WITHIN DIMENSIONS	SIZE: A3		MOLEX INCORPORATED DOCUMENT NO.: SD-78211-002	SHEET NO.: 3 OF 3															