

5

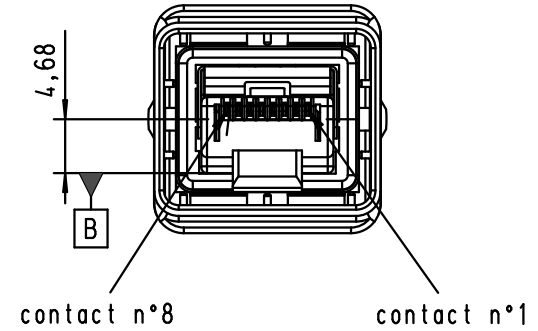
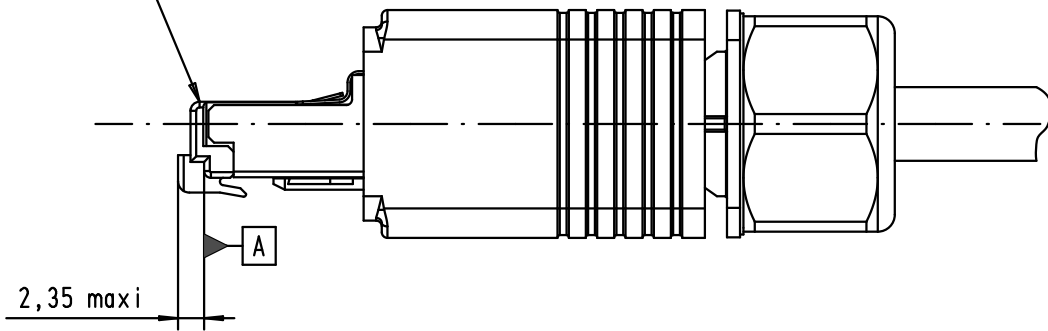
4

3

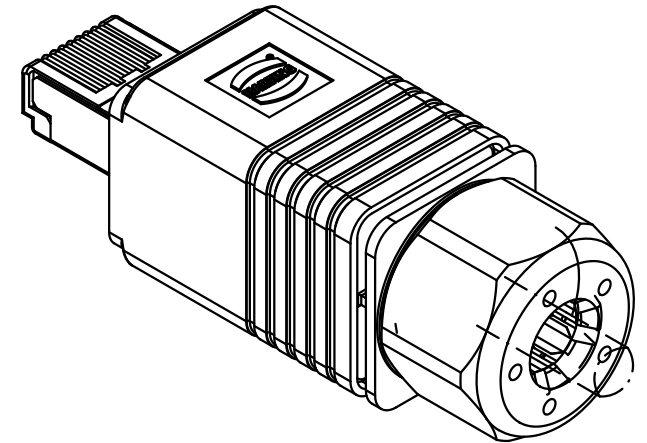
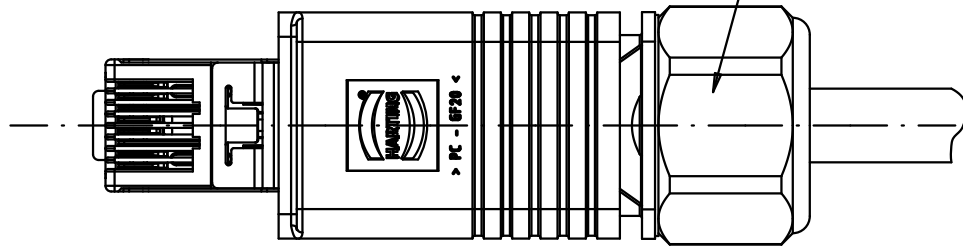
2

1

mating face according to IEC 60603-7



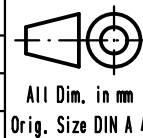
sealing gland and nut PG9



cable diameter: 4,9 to 8,6 mm  
Stranded wire AWG 28/7-24/7

Data contact plating: Au 1,27 um over nickel

				Dat.	Name
36298	09/05/12	SD	Detail.	20/05/04	A. Fakhri
36295	21/03/12	SD	Insp.	26/04/11	JB
35656	16/02/09	AB	Stand.		
35652	12/02/09	AB			



RJ-Industrial  
HARTING PushPull plastic RJ45  
IP65/67 shielded plug cat6  
with 8 data contacts

Maßstab/  
Scale  
1,5:1

09 45 145 15 10 Data connector with Blue wires manager  
09 45 145 15 00 Data connector with White wires manager

Mod.	Dat.	Name
31904	20/05/04	AF

HARTING E.U.R.L  
F-95972 Paris



TB 09 45 145 15X0

Blatt/ Page  
1 / 1

Sub.

# Mouser Electronics

Authorized Distributor

Click to View Pricing, Inventory, Delivery & Lifecycle Information:

HARTING:

[09451451500XL](#) [09451451510XL](#)