

Fuse Carriage with Handle for OGN, OGN-SMD



2.5W/10A

**Description**

- Better access to fuse-links on PCB's
- Fits to type: [OGN](#); [OGN-SMD](#)

**Applications**

- Printed circuit boards with tightly packed components. Colour coding allows for quick and safe replacement of fuses.

**References**

[General Product Information](#)

**Weblinks**

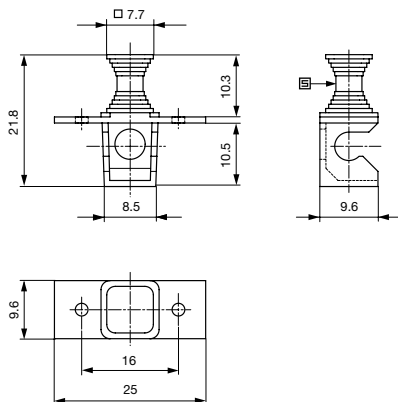
[Approvals](#), [RoHS](#), [CHINA-RoHS](#), [e-Store](#), [SCHURTER-Stock-Check](#), [Distributor-Stock-Check](#)

**Technical Data**

Fuse-Link	5 x 20 mm
Rated Power Acceptance IEC	2.5W / 10A @ Ta 23 °C
Admissible Ambient Air Temp.	-40 °C to 85 °C
Storage Conditions	0 °C to 60 °C, max. 70% r.h.

**Dimensions**

Length |—————| 25 mm

**Variants**

Color	Order Number
black	0853.1201
white	0853.1202
blue	0853.1203
brown	0853.1204

[Distributor-Stock-Check](#) | [SCHURTER-Stock-Check](#) | [e-Store](#)

**Packaging Unit**

Bulk (100 pcs.)