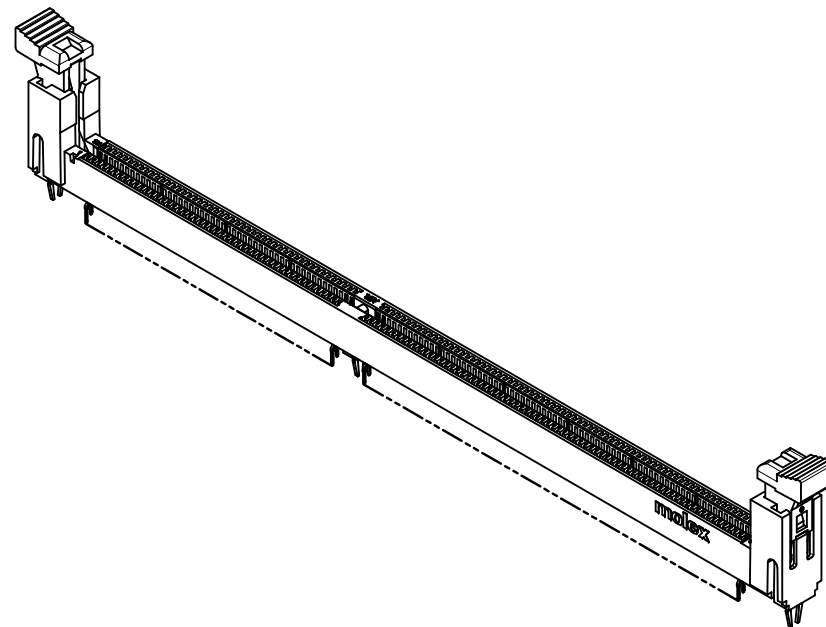
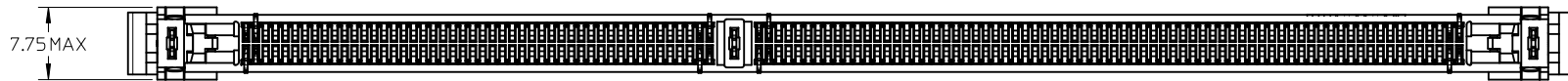
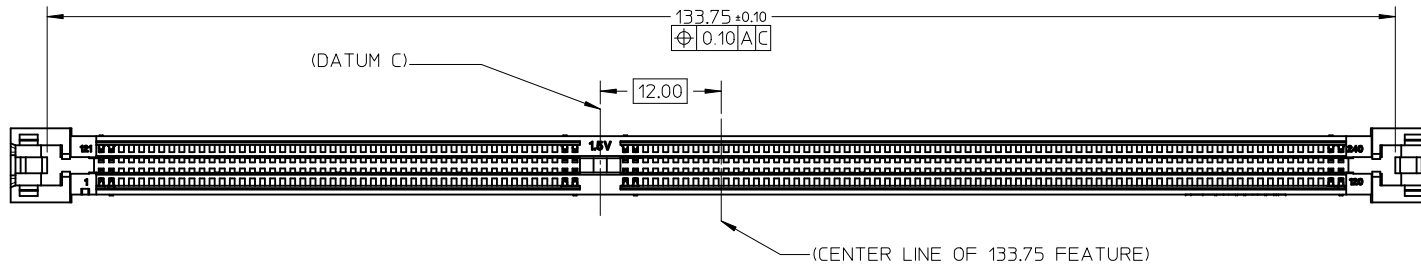


- NOTES :
- MATERIAL : HOUSING - HIGH TEMP. NYLON, GLASS FILLED, UL 94V-0  
COLOUR : SEE SHEET 6 AND 7  
LATCH - HIGH TEMP NYLON, GLASS FILLED, UL 94V-0  
COLOUR : SEE SHEET 6 AND 7  
TERMINAL : COPPER ALLOY.
  - TERMINAL PLATING OPTIONS: SEE TABLE ON SHEETS 6 & 7.
  - PRODUCT SPECIFICATION: SEE TABLE ON SHEETS 6 & 7.
  - PACKAGING INFORMATION: PRODUCT SHALL BE PACKED IN TRAY
  - CARD SLOT ACCEPTS 1.27±0.10MM MODULE THICKNESS (MEASURED FROM P.C. PADS).
  - MOLEX LOGO, DATE & PART NO. INDICATED ON HOUSING.
  - MODULE SEATING PLANE FROM TOP OF PCB.
  - KEEP OUT ZONE RESERVED FOR LATCH.

<b>FORKLOCK UPDATED</b> EC NO: S2010-0888 DRWN: JAKEEWEW 2010/04/29 CHKD: CTEH 2010/06/10 APPR: SHLENI 2010/06/13	QUALITY SYMBOLS $F_A=0$ $F_C=0$ $F_P=0$	GENERAL TOLERANCES (UNLESS SPECIFIED)		DIMENSION STYLE <b>MM ONLY</b>		SCALE NTS	DESIGN UNITS METRIC	THIRD ANGLE PROJECTION			
		4 PLACES ± --- ± --- 3 PLACES ± --- ± --- 2 PLACES ± 0.2 ± --- 1 PLACE ± --- ± ---	mm INCH	DRAWN BY YTYANG01	DATE 2006/08/11	TITLE DDR3 DIMM, 100MM PITCH 240 CKTS, VERTICAL T/H					
		ANGULAR ± 1 °		CHECKED BY SHLENI	DATE 2006/09/07	MOLEX INCORPORATED					
		DRAFT WHERE APPLICABLE MUST REMAIN WITHIN DIMENSIONS		APPROVED BY SHLENI	DATE 2010/06/10	MATERIAL NO. SEE TABLE	DOCUMENT NO. SD-78079-001	SHEET NO. 1 OF 8			

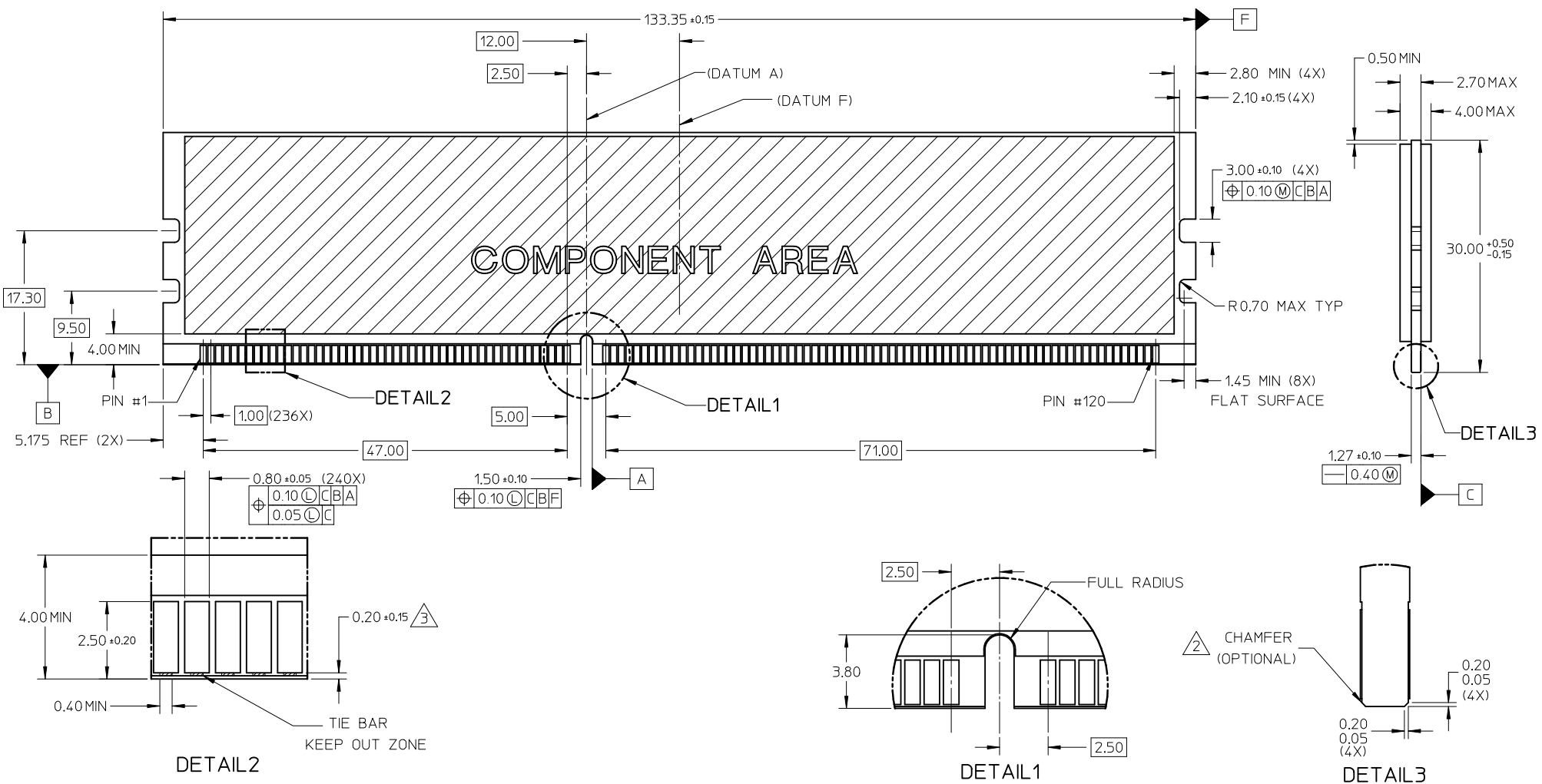
10 9 8 7 6 5 4 3 2 1



FORKLOCK UPDATED EC NO: S2010-0888 DRWN: JAKEEWEW 2010/04/29 CHKD: CCTEH 2010/06/10 APPR: SHLENI 2010/06/13	QUALITY SYMBOLS $\nabla_A = 0$ $\nabla_C = 0$ $\nabla_P = 0$	GENERAL TOLERANCES (UNLESS SPECIFIED)		DIMENSION STYLE MM ONLY		SCALE NTS	DESIGN UNITS METRIC	THIRD ANGLE PROJECTION		
			mm	INCH	DRAWN BY YTYANG01	DATE 2006/08/11	TITLE DDR3 DIMM, 100MM PITCH 240 CKTS, VERTICAL T/H			
		4 PLACES	± ---	± ---	CHECKED BY SHLENI	DATE 2006/09/07	MOLEX INCORPORATED DOCUMENT NO. SD-78079-001			
		3 PLACES	± ---	± ---	APPROVED BY SHLENI	DATE 2010/06/10				
2 PLACES	± 0.2	± ---	ANGULAR ± 1 °		MATERIAL NO. SEE TABLE		THIS DRAWING CONTAINS INFORMATION THAT IS PROPRIETARY TO MOLEX INCORPORATED AND SHOULD NOT BE USED WITHOUT WRITTEN PERMISSION			
1 PLACE	± ---	± ---	DRAFT WHERE APPLICABLE MUST REMAIN WITHIN DIMENSIONS		SIZE A3					

9 8 7 6 5 4 3 2 1

MODULE CARD  
 DDR3 DUAL IN-LINE MEMORY MODULE FAMILY 1.00MM CONTACT CENTERS  
 (JEDEC MO-269, ISSUE B, MAY 06)



- NOTES:
- RECOMMENDED PLATING FOR CONTACT PADS:  
 PREFERRED: 0.76 MICROMETERS GOLD PLATING MIN OVER 2.00 MICROMETERS NICKEL  
 ALTERNATIVE: 0.05-0.75 MICROMETERS GOLD PLATING OVER 2.00 MICROMETERS NICKEL MUST USE AN ELECTRONIC CONTACT GRADE CORROSIVE BARRIER LUBRICANT
  - CHAMFER IS OPTIONAL AND IS NOT TO HIT THE GOLD PADS
  - LEADING EDGE OF GOLD PADS SPECIFIED BY KEEPOUT ZONE SHALL BE FREE OF BURRS AND EXTERNAL TIE BARS.

<b>FORKLOCK UPDATED</b> EC NO: S2010-0888 DRWN: JAKEEWEW 2010/04/29 CHYK: CCTEH 2010/06/10 APPR: SHLENI 2010/06/13	QUALITY SYMBOLS $F_A=0$ $F_C=0$ $F_B=0$	GENERAL TOLERANCES (UNLESS SPECIFIED) <table border="1"> <thead> <tr> <th></th> <th>mm</th> <th>INCH</th> </tr> </thead> <tbody> <tr> <td>4 PLACES</td> <td>± ---</td> <td>± ---</td> </tr> <tr> <td>3 PLACES</td> <td>± ---</td> <td>± ---</td> </tr> <tr> <td>2 PLACES</td> <td>± 0.2</td> <td>± ---</td> </tr> <tr> <td>1 PLACE</td> <td>± ---</td> <td>± ---</td> </tr> </tbody> </table>		mm	INCH	4 PLACES	± ---	± ---	3 PLACES	± ---	± ---	2 PLACES	± 0.2	± ---	1 PLACE	± ---	± ---	DIMENSION STYLE <b>MM ONLY</b> DRAWN BY: YTYANG01 DATE: 2006/08/11 CHECKED BY: SHLENI DATE: 2006/09/07 APPROVED BY: SHLENI DATE: 2010/06/10	SCALE <b>NTS</b> TITLE <b>DDR3 DIMM, 1.00MM PITCH          240 CKTS, VERTICAL T/H</b>	DESIGN UNITS <b>METRIC</b> <b>MOLEX INCORPORATED</b>	THIRD ANGLE PROJECTION
		mm	INCH																		
	4 PLACES	± ---	± ---																		
	3 PLACES	± ---	± ---																		
2 PLACES	± 0.2	± ---																			
1 PLACE	± ---	± ---																			
<b>A4</b>	DRAFT WHERE APPLICABLE MUST REMAIN WITHIN DIMENSIONS	MATERIAL NO. <b>SEE TABLE</b>	DOCUMENT NO. <b>SD-78079-001</b>	SHEET NO. <b>3 OF 8</b>																	
THIS DRAWING CONTAINS INFORMATION THAT IS PROPRIETARY TO MOLEX INCORPORATED AND SHOULD NOT BE USED WITHOUT WRITTEN PERMISSION																					
SIZE <b>A3</b>																					

10 9 8 7 6 5 4 3 2 1

KEEP OUT AREA

$\phi 0.12$  Z X  
 $\phi 2.45 \pm 0.05$

13.00 REF

PIN #121

PIN #1

DETAIL 4

$\phi 0.70 \pm 0.08$  TYP  
 $\phi 0.10$  M Z X-Y

PIN #240

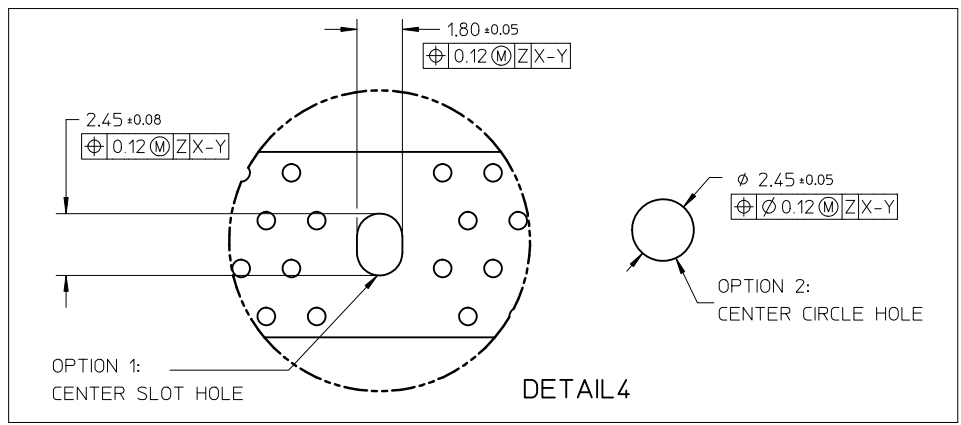
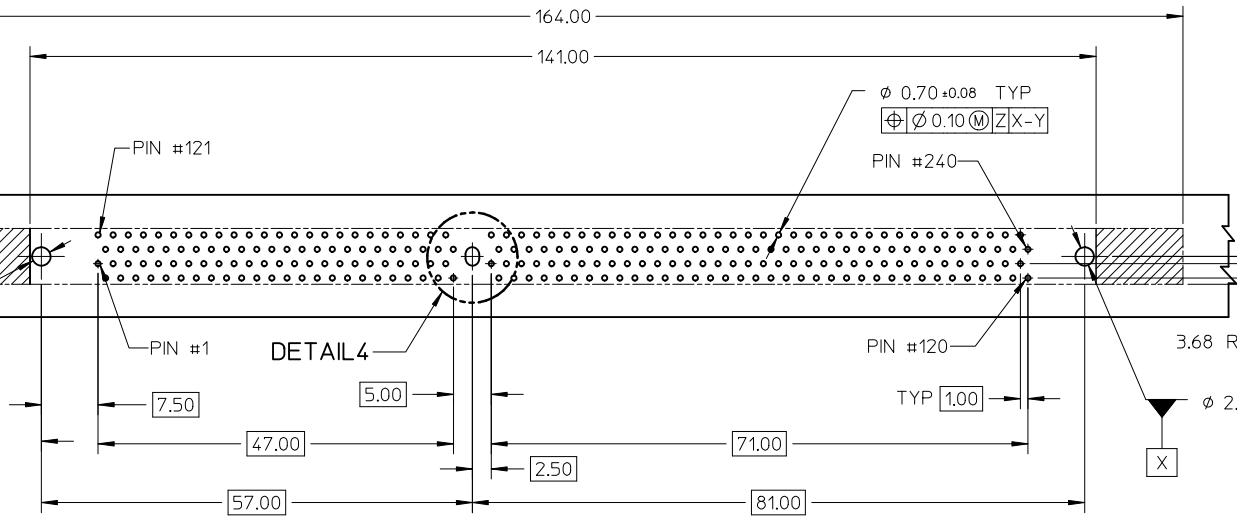
PIN #120

TYP 1.00

0.95 (2X)

3.68 REF (2X) 2.85

$\phi 2.45 \pm 0.05$

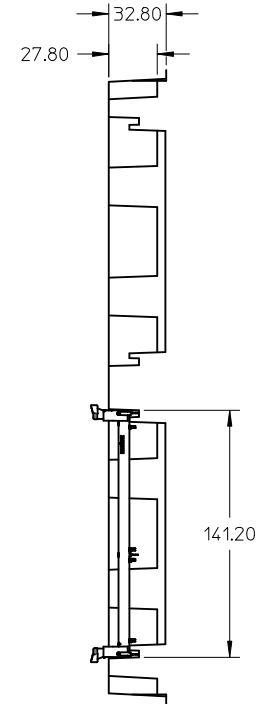
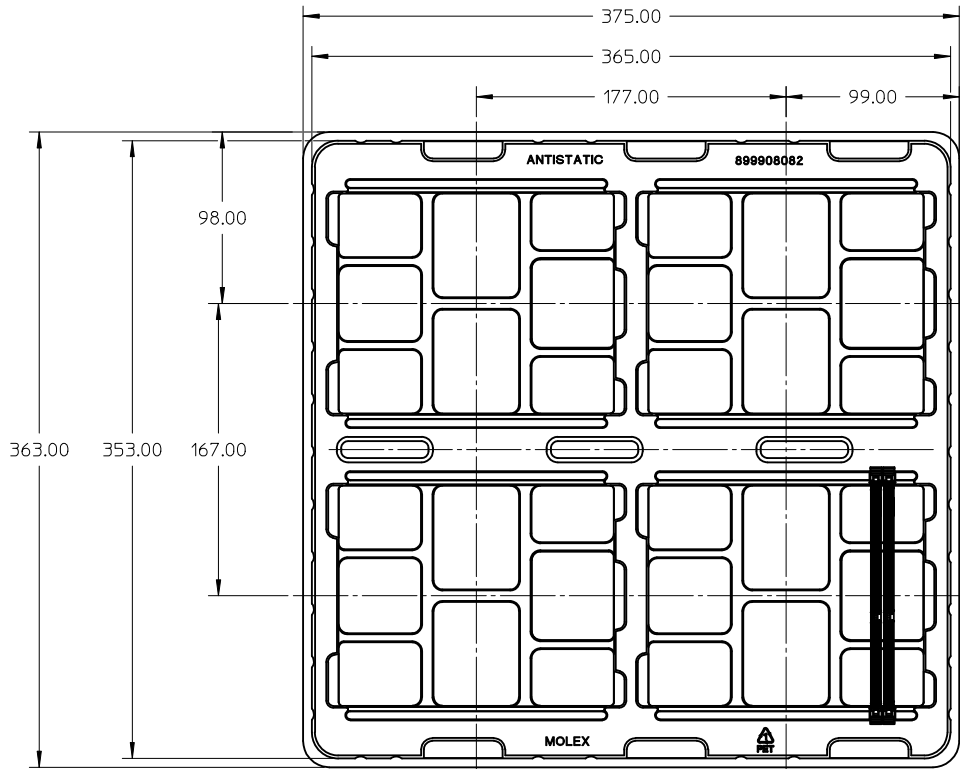


NOTE:  
 1. KEEP OUT AREA IS THE AREA WHERE THE CONNECTOR (INCLUDING LATCH) IS MOUNTED ON THE PCB.

FORKLOCK UPDATED EC NO: S2010-0888 DRWN: JAKEEWEW 2010/04/29 CHKD: CCTEH 2010/06/10 APPR: SHLENI 2010/06/13	QUALITY SYMBOLS $F_A=0$ $F_C=0$ $F_P=0$	GENERAL TOLERANCES (UNLESS SPECIFIED)		DIMENSION STYLE MM ONLY		SCALE NTS	DESIGN UNITS METRIC	THIRD ANGLE PROJECTION		
		mm	INCH	DRAWN BY	DATE	TITLE				
		4 PLACES	± ---	± ---	YTYANG01	2006/08/11	DDR3 DIMM, 100MM PITCH			
		3 PLACES	± ---	± ---	CHECKED BY	DATE	240 CKTS, VERTICAL T/H			
		2 PLACES	± 0.2	± ---	SHLENI	2006/09/07	MOLEX INCORPORATED			
		1 PLACE	± ---	± ---	APPROVED BY	DATE				
		ANGULAR ± 1 °		SHLENI	2010/06/10	MATERIAL NO.		DOCUMENT NO.		
		DRAFT WHERE APPLICABLE MUST REMAIN WITHIN DIMENSIONS		SEE TABLE		SD-78079-001		SHEET NO. 4 OF 8		
A4	REV	SIZE		THIS DRAWING CONTAINS INFORMATION THAT IS PROPRIETARY TO MOLEX INCORPORATED AND SHOULD NOT BE USED WITHOUT WRITTEN PERMISSION						

9 8 7 6 5 4 3 2 1

10 9 8 7 6 5 4 3 2 1



NOTES:  
1. QTY OF CAVITY: 20 X 4 = 80 PCS

FORKLOCK UPDATED EC NO: S2010-0888 DRWN: JAKEEWEW 2010/04/29 CHKD: CCTEH 2010/06/10 APPR: SHLENI 2010/06/13	QUALITY SYMBOLS	GENERAL TOLERANCES (UNLESS SPECIFIED)		DIMENSION STYLE MM ONLY		SCALE NTS	DESIGN UNITS METRIC	THIRD ANGLE PROJECTION	
	$F_A=0$	4 PLACES	mm	INCH	DRAWN BY YTYANG01	DATE 2006/08/11	TITLE DDR3 DIMM, 100MM PITCH 240 CKTS, VERTICAL T/H		
	$F_C=0$	3 PLACES	± ---	± ---	CHECKED BY SHLENI	DATE 2006/09/07	MATERIAL NO. SEE TABLE		
	$F_P=0$	2 PLACES	± 0.2	± ---	APPROVED BY SHLENI	DATE 2010/06/10	DOCUMENT NO. SD-78079-001		
		1 PLACE	± ---	± ---	ANGULAR ± 1 °		SHEET NO. 5 OF 8		
		DRAFT WHERE APPLICABLE MUST REMAIN WITHIN DIMENSIONS		SIZE A3		THIS DRAWING CONTAINS INFORMATION THAT IS PROPRIETARY TO MOLEX INCORPORATED AND SHOULD NOT BE USED WITHOUT WRITTEN PERMISSION			

9 8 7 6 5 4 3 2 1

ASSEMBLY PART NO.	VOLTAGE KEY	HOUSING COLOR	LATCH COLOR	DIM 'P'	RECOMMENDED PCB THICKNESS	PLATING OPTION	PRODUCT SPECIFICATION	
78079-0001	CENTRE (1.5V)	BLACK	BLACK	2.67	1.57	0.38 MICROMETER/ 15 MICROINCH MIN. GOLD ON CONTACT 2.54 MICROMETER/ 100 MICROINCH MIN. PURE TIN ON SOLDER TAILS 1.27 MICROMETER/ 50 MICROINCH MIN. NICKEL UNDERPLATE	PS-78079-001	
78079-0003				3.00	2.18			
78079-0002				3.18	2.36			
78079-0011				2.67	1.57	0.76 MICROMETER/ 30 MICROINCH MIN. GOLD ON CONTACT 2.54 MICROMETER/ 100 MICROINCH MIN. PURE TIN ON SOLDER TAILS 1.27 MICROMETER/ 50 MICROINCH MIN. NICKEL UNDERPLATE		PS-78079-002
78079-0013				3.00	2.18			
78079-0012				3.18	2.36			
78079-0021			2.67	1.57	0.076 MICROMETER/ 3 MICROINCH MIN. GOLD ON CONTACT 2.54 MICROMETER/ 100 MICROINCH MIN. PURE TIN ON SOLDER TAILS 1.27 MICROMETER/ 50 MICROINCH MIN. NICKEL UNDERPLATE	PS-78079-003		
78079-0023			3.00	2.18				
78079-0022			3.18	2.36				
78079-0051			NATURAL (OFFWHITE)	2.67	1.57		0.38 MICROMETER/ 15 MICROINCH MIN. GOLD ON CONTACT 2.54 MICROMETER/ 100 MICROINCH MIN. PURE TIN ON SOLDER TAILS 1.27 MICROMETER/ 50 MICROINCH MIN. NICKEL UNDERPLATE	PS-78079-001
78079-0053				3.00	2.18			
78079-0052				3.18	2.36			
78079-0061				2.67	1.57	0.76 MICROMETER/ 30 MICROINCH MIN. GOLD ON CONTACT 2.54 MICROMETER/ 100 MICROINCH MIN. PURE TIN ON SOLDER TAILS 1.27 MICROMETER/ 50 MICROINCH MIN. NICKEL UNDERPLATE	PS-78079-002	
78079-0063				3.00	2.18			
78079-0062				3.18	2.36			
78079-0071			2.67	1.57	0.076 MICROMETER/ 3 MICROINCH MIN. GOLD ON CONTACT 2.54 MICROMETER/ 100 MICROINCH MIN. PURE TIN ON SOLDER TAILS 1.27 MICROMETER/ 50 MICROINCH MIN. NICKEL UNDERPLATE	PS-78079-003		
78079-0073			3.00	2.18				
78079-0072			3.18	2.36				

<b>FORKLOCK UPDATED</b> EC NO: S2010-0888 DRWN: JAKEEWEW 2010/04/29 CHKD: CCTEH 2010/06/10 APPR: SHLENI 2010/06/13	QUALITY SYMBOLS	GENERAL TOLERANCES (UNLESS SPECIFIED)	DIMENSION STYLE <b>MM ONLY</b>	SCALE <b>NTS</b>	DESIGN UNITS <b>METRIC</b>	THIRD ANGLE PROJECTION	
	$F_A=0$ $F_C=0$ $F_P=0$	mm      INCH 4 PLACES ± --- ± --- 3 PLACES ± --- ± --- 2 PLACES ± 0.2 ± --- 1 PLACE ± --- ± --- ANGULAR ± 1 °	DRAWN BY: YTYANG01      DATE: 2006/08/11 CHECKED BY: SHLENI      DATE: 2006/09/07 APPROVED BY: SHLENI      DATE: 2010/06/10	TITLE: <b>DDR3 DIMM, 1.00MM PITCH 240 CKTS, VERTICAL T/H</b>			
	A4	DESCRIPTION REV	DRAFT WHERE APPLICABLE MUST REMAIN WITHIN DIMENSIONS	MATERIAL NO.      DOCUMENT NO.	MOLEX INCORPORATED		
				SIZE: <b>A3</b>	SEE TABLE	SD-78079-001	SHEET NO. 6 OF 8

ASSEMBLY PART NO.	VOLTAGE KEY	HOUSING COLOR	LATCH COLOR	DIM 'P'	RECOMMENDED PCB THICKNESS	PLATING OPTION	PRODUCT SPECIFICATION	
78079-0201	CENTRE (1.5V)	BLUE	NATURAL (OFFWHITE)	2.67	1.57	0.38 MICROMETER/ 15 MICROINCH MIN. GOLD ON CONTACT 2.54 MICROMETER/ 100 MICROINCH MIN. PURE TIN ON SOLDER TAILS 1.27 MICROMETER/ 50 MICROINCH MIN. NICKEL UNDERPLATE	PS-78079-001	
78079-0203				3.00	2.18			
78079-0202				3.18	2.36			
78079-0211				2.67	1.57	0.76 MICROMETER/ 30 MICROINCH MIN. GOLD ON CONTACT 2.54 MICROMETER/ 100 MICROINCH MIN. PURE TIN ON SOLDER TAILS 1.27 MICROMETER/ 50 MICROINCH MIN. NICKEL UNDERPLATE		PS-78079-002
78079-0213				3.00	2.18			
78079-0212				3.18	2.36			
78079-0221		2.67	1.57	0.076 MICROMETER/ 3 MICROINCH MIN. GOLD ON CONTACT 2.54 MICROMETER/ 100 MICROINCH MIN. PURE TIN ON SOLDER TAILS 1.27 MICROMETER/ 50 MICROINCH MIN. NICKEL UNDERPLATE	PS-78079-003			
78079-0223		3.00	2.18					
78079-0222		3.18	2.36					
78079-0351		GREEN	NATURAL (OFFWHITE)	2.67		1.57	0.38 MICROMETER/ 15 MICROINCH MIN. GOLD ON CONTACT 2.54 MICROMETER/ 100 MICROINCH MIN. PURE TIN ON SOLDER TAILS 1.27 MICROMETER/ 50 MICROINCH MIN. NICKEL UNDERPLATE	PS-78079-001
78079-0353				3.00		2.18		
78079-0352				3.18		2.36		
78079-0361				2.67	1.57	0.76 MICROMETER/ 30 MICROINCH MIN. GOLD ON CONTACT 2.54 MICROMETER/ 100 MICROINCH MIN. PURE TIN ON SOLDER TAILS 1.27 MICROMETER/ 50 MICROINCH MIN. NICKEL UNDERPLATE	PS-78079-002	
78079-0363				3.00	2.18			
78079-0362				3.18	2.36			
78079-0371				2.67	1.57	0.076 MICROMETER/ 3 MICROINCH MIN. GOLD ON CONTACT 2.54 MICROMETER/ 100 MICROINCH MIN. PURE TIN ON SOLDER TAILS 1.27 MICROMETER/ 50 MICROINCH MIN. NICKEL UNDERPLATE		PS-78079-003
78079-0373				3.00	2.18			
78079-0372		3.18	2.36					

<b>FORKLOCK UPDATED</b> EC NO: S2010-0888 DRWN: JAKEEW 2010/04/29 CHKD: CTEH 2010/06/10 APPR: SHLENI 2010/06/13	QUALITY SYMBOLS	GENERAL TOLERANCES (UNLESS SPECIFIED)	DIMENSION STYLE <b>MM ONLY</b>	SCALE NTS	DESIGN UNITS METRIC	THIRD ANGLE PROJECTION	
	$F_A=0$ $F_C=0$ $F_P=0$	mm      INCH 4 PLACES ± --- ± --- 3 PLACES ± --- ± --- 2 PLACES ± 0.2 ± --- 1 PLACE ± --- ± --- ANGULAR ± 1 °	DRAWN BY: YTYANG01      DATE: 2006/08/11 CHECKED BY: SHLENI      DATE: 2006/09/07 APPROVED BY: SHLENI      DATE: 2010/06/10	TITLE: <b>DDR3 DIMM, 1.00MM PITCH 240 CKTS, VERTICAL T/H</b>			
	DRAFT WHERE APPLICABLE MUST REMAIN WITHIN DIMENSIONS	SEE TABLE	MOLEX INCORPORATED MATERIAL NO.      DOCUMENT NO.				
	SIZE: <b>A3</b>	THIS DRAWING CONTAINS INFORMATION THAT IS PROPRIETARY TO MOLEX INCORPORATED AND SHOULD NOT BE USED WITHOUT WRITTEN PERMISSION					

F

F

E

E

D

D

C

C

B

B

A

A

ASSEMBLY PART NO.	VOLTAGE KEY	HOUSING COLOR	LATCH COLOR	DIM 'P'	RECOMMENDED PCB THICKNESS	PLATING OPTION	PRODUCT SPECIFICATION						
78079-0101	CENTRE (1.5V)	NATURAL (OFFWHITE)	NATURAL (OFFWHITE)	2.67	1.57	0.38 MICROMETER/ 15 MICROINCH MIN. GOLD ON CONTACT 2.54 MICROMETER/ 100 MICROINCH MIN. PURE TIN ON SOLDERTAILS 1.27 MICROMETER/ 50 MICROINCH MIN. NICKEL UNDERPLATE	PS-78079-001						
78079-0103				3.00	2.18								
78079-0102				3.18	2.36								
78079-0111				CENTRE (1.5V)	NATURAL (OFFWHITE)	NATURAL (OFFWHITE)	2.67	1.57	0.76 MICROMETER/ 30 MICROINCH MIN. GOLD ON CONTACT 2.54 MICROMETER/ 100 MICROINCH MIN. PURE TIN ON SOLDERTAILS 1.27 MICROMETER/ 50 MICROINCH MIN. NICKEL UNDERPLATE	PS-78079-002			
78079-0113							3.00	2.18					
78079-0112							3.18	2.36					
78079-0121							CENTRE (1.5V)	NATURAL (OFFWHITE)	NATURAL (OFFWHITE)	2.67	1.57	0.076 MICROMETER/ 3 MICROINCH MIN. GOLD ON CONTACT 2.54 MICROMETER/ 100 MICROINCH MIN. PURE TIN ON SOLDERTAILS 1.27 MICROMETER/ 50 MICROINCH MIN. NICKEL UNDERPLATE	PS-78079-003
78079-0123										3.00	2.18		
78079-0122				3.18	2.36								

FORKLOCK UPDATED EC NO: S2010-0888 DRWN: JAKEEWEW 2010/04/29 CHKD: CTEH 2010/06/10 APPR: SHLENI 2010/06/13	QUALITY SYMBOLS	GENERAL TOLERANCES (UNLESS SPECIFIED)	DIMENSION STYLE <b>MM ONLY</b>	SCALE <b>NTS</b>	DESIGN UNITS <b>METRIC</b>	THIRD ANGLE PROJECTION	
	$\nabla_A = 0$ $\nabla_C = 0$ $\nabla_P = 0$	mm      INCH 4 PLACES ± --- ± --- 3 PLACES ± --- ± --- 2 PLACES ± 0.2 ± --- 1 PLACE ± --- ± --- ANGULAR ± 1 °	DRAWN BY: YTYANG01      DATE: 2006/08/11 CHECKED BY: SHLENI      DATE: 2006/09/07 APPROVED BY: SHLENI      DATE: 2010/06/10	TITLE: <b>DDR3 DIMM, 1.00MM PITCH 240 CKTS, VERTICAL T/H</b>			
	DRAFT WHERE APPLICABLE MUST REMAIN WITHIN DIMENSIONS	SEE TABLE	MATERIAL NO.      DOCUMENT NO.      SHEET NO. MOLEX INCORPORATED      SD-78079-001      8 OF 8				
	SIZE <b>A3</b>	THIS DRAWING CONTAINS INFORMATION THAT IS PROPRIETARY TO MOLEX INCORPORATED AND SHOULD NOT BE USED WITHOUT WRITTEN PERMISSION					