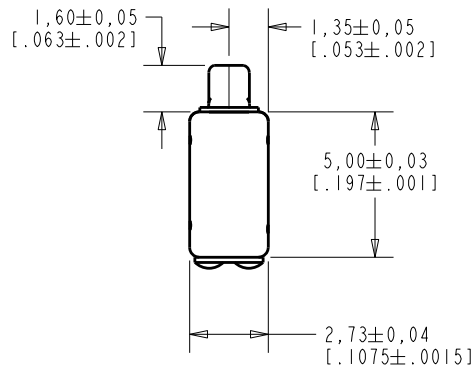


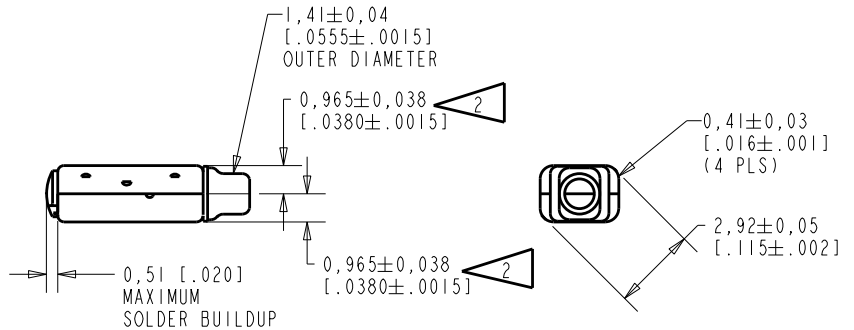
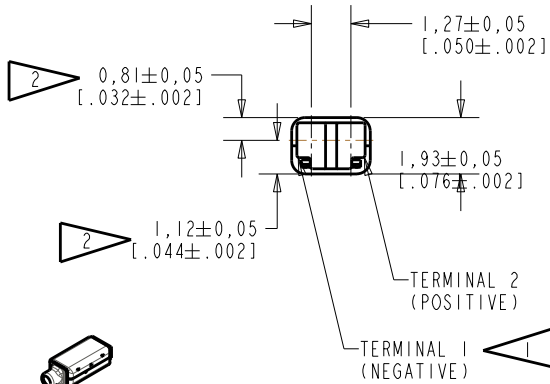
WBFK-30000-000

SHT 1.1



NOTES:

- 1 A POSITIVE GOING VOLTAGE AT TERMINAL 2, RELATIVE TO TERMINAL 1, CAUSES A DECREASE IN PRESSURE AT THE SOUND OUTLET.
- 2 LOCATED FROM TWO SURFACES FOR CUSTOMER CONVENIENCE. ONLY APPLICABLE FROM ONE SURFACE, NOT TO BE USED TOGETHER.



SCALE 2:1

DIMENSIONS IN MILLIMETERS [INCHES]

Revision	C.O. #	Implementation Date	RELEASE LEVEL	REVISION
C	C10108259P	12-31-08	Active	C
B	C10104981	10-18-06		
A	C10104419	6-13-06		

SCALE:	5:1	DR. BY	DATE
DO NOT SCALE DRAWING			
TITLE:	RECEIVER	WBFK-30000-000	GJP 6-23-06
	OUTLINE DRAWING	SHT 1.1	APP. BY DATE GJP 6-23-06

RE111ASIZE.FRM Rev: B

KNOWLES ELECTRONICS
ITASCA, ILLINOIS U.S.A.

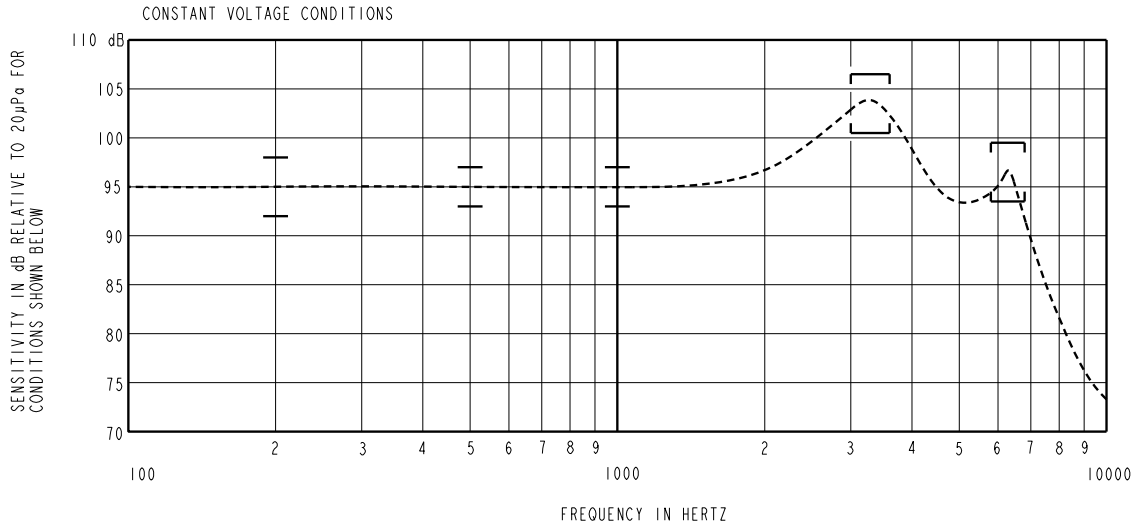
AN UNDAMPED MAGNETIC BALANCED ARMATURE RECEIVER WITH AN EXTENDED HIGH FREQUENCY RESPONSE INTENDED FOR USE IN CIC HEARING INSTRUMENTS.

NO DAMPING

WBFK-30000-000

SHEET 2.1

NOTE: SPECIFICATIONS FOLLOWED BY AN ASTERISK (*) ARE 100% TESTED.



ACOUSTICAL

SENSITIVITY*
DEVICE WILL PRODUCE THE SPL LISTED BELOW UNDER TEST CONDITION IN TABLE 3.
NOMINAL SENSITIVITY AT 1kHz IS dB RELATIVE TO 20 μ Pa. ALL OTHER VALUES IN dB RELATIVE TO THE SENSITIVITY AT 1kHz.

FREQUENCY (Hz)	MINIMUM	NOMINAL	MAXIMUM
200	-3.0	0.0	+3.0
500	-2.0	0.0	+2.0
1000	-2.0	95.0	+2.0
3000-3600	+5.5	+8.5	+11.5
5800-6800	-1.5	+1.5	+4.5

TABLE 1

TOTAL HARMONIC DISTORTION*
DEVICE WILL NOT EXCEED TOTAL HARMONIC DISTORTION LEVELS LISTED BELOW.

FREQUENCY (Hz)	AC DRIVE (V rms)	DC BIAS (V)	LIMIT (%)
1058	0.211	0	5
1588	0.211	0	5
1588	0.595	0	10

TABLE 2

TEST CONDITIONS

NOMINAL SOURCE VOLTAGE	0.211 V rms, 0 mA V DC BIAS
SOURCE IMPEDANCE	<1 Ohm
TUBING	10mm [.394"] LONG, 1mm [.039"] I.D.
COUPLER CAVITY	2 CM ³ , SIMULATED ANSI S3.7 TYPE HA-3 (IEC 126)

TABLE 3

ELECTRICAL

DC RESISTANCE	100 Ohms \pm 10%*
IMPEDANCE @ 500 Hz	111 Ohms \pm 15%*
IMPEDANCE @ 1kHz	124 Ohms \pm 15%*

TABLE 4

ISOLATION: CASE WILL BE ELECTRICALLY ISOLATED FROM THE COIL CIRCUIT.*

MECHANICAL

PORT LOCATION: 12S
SOLDER TYPE: SAC305

TEMPERATURE

OPERATING: SENSITIVITY AT 500 Hz WILL NOT VARY MORE THAN +1 / -3 dB FROM -17°C TO 63°C.
STORAGE: -40°C TO 63°C.

Revision	C.O. #	Implementation Date	RELEASE LEVEL	REVISION
C	C10108259P	12-31-08	Active	C
B	C10104981	10-18-06		
A	C10104419	6-13-06		

KNOWLES ELECTRONICS
ITASCA, ILLINOIS U.S.A.

WHEN TEST LIMITS ARE USED TO ESTABLISH INCOMING INSPECTION ACCEPTANCE/REJECTION CRITERIA, CORRELATION OF TEST EQUIPMENT WITH KNOWLES IS ALSO REQUIRED FOR ELIMINATION OF EQUIPMENT AND TEST METHOD VARIATION

DR. BY DATE
MMM 6-13-06

TITLE: RECEIVER
PERFORMANCE SPECIFICATION

WBFK-30000-000
SHT 2.1

CK. BY DATE
GJP 6-23-06
APP. BY DATE
GJP 6-23-06