

ALUMINUM ELECTROLYTIC CAPACITORS

UMW

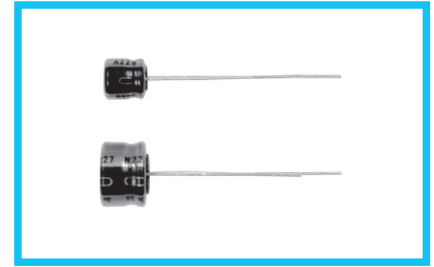
5mmL, For General Audio Equipment



- Acoustic series, with 5mm height.
- Compliant to the RoHS directive (2011/65/EU,(EU)2015/863).



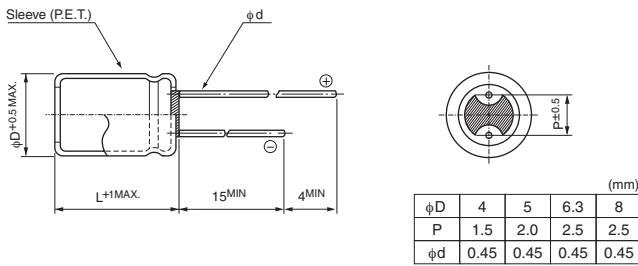
UMW



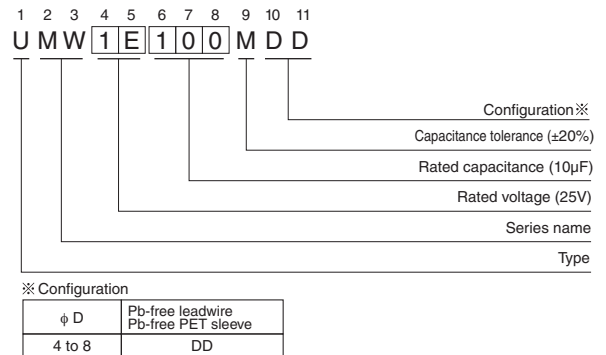
Specifications

Item	Performance Characteristics									
Category Temperature Range	-40 to +85°C									
Rated Voltage Range	4 to 50V									
Rated Capacitance Range	1 to 470μF									
Capacitance Tolerance	±20% at 120Hz, 20°C									
Leakage Current	After 2 minutes' application of rated voltage at 20°C, leakage current is not more than 0.01CV or 3 (μA) , whichever is greater.									
Tangent of loss angle (tan δ)	Measurement frequency : 120Hz at 20°C									
	Rated voltage (V)	4	6.3	10	16	25	35	50		
	tan δ (MAX.)	0.35	0.24	0.20	0.16	0.14	0.12	0.10		
Stability at Low Temperature	Measurement frequency : 120Hz									
	Impedance ratio (MAX.)	Rated voltage (V)		4	6.3	10	16	25	35	50
		Z-25°C / Z+20°C	7	4	3	2	2	2	2	
	Z-40°C / Z+20°C	15	8	6	4	4	3	3		
Endurance	The specifications listed at right shall be met when the capacitors are restored to 20°C after the rated voltage is applied for 1000 hours at 85°C.									
	Capacitance change	Within ±20% of the initial capacitance value								
	tan δ	200% or less than the initial specified value								
Shelf Life	After storing the capacitors under no load at 85°C for 1000 hours and then performing voltage treatment based on JIS C 5101-4 clause 4.1 at 20°C, they shall meet the specified values for the endurance characteristics listed above.									
	Leakage current	Less than or equal to the initial specified value								
Marking	Printed with black color letter on gold sleeve.									

Radial Lead Type



Type numbering system (Example : 25V 10μF)



Dimensions

Cap.(μF)	code	V		4		6.3		10		16		25		35		50		
				0G	0J	1A	1C	1E	1V	1H								
1	010																4 × 5	8.4
2.2	2R2																4 × 5	13
3.3	3R3														4 × 5	15	4 × 5	17
4.7	4R7											4 × 5	16	4 × 5	18	5 × 5	20	
10	100							4 × 5	23	5 × 5	27	5 × 5	29	6.3 × 5	33			
22	220			4 × 5	28	5 × 5	33	5 × 5	37	6.3 × 5	42	6.3 × 5	46	8 × 5	52			
33	330	4 × 5	28	5 × 5	37	5 × 5	41	6.3 × 5	49	6.3 × 5	52	8 × 5	62	8 × 5	71			
47	470	4 × 5	33	5 × 5	45	6.3 × 5	52	6.3 × 5	58	8 × 5	70	8 × 5	80					
100	101	5 × 5	56	6.3 × 5	70	8 × 5	80	8 × 5	92	8 × 5	110							
220	221	6.3 × 5	96	8 × 5	110	8 × 5	135											
330	331	8 × 5	145	8 × 5	170													
470	471	8 × 5	185															

Rated ripple current(mArms) at 85°C 120Hz

Frequency coefficient of rated ripple current

Frequency	50 Hz	120 Hz	300 Hz	1 kHz	10 kHz or more
Coefficient	0.70	1.00	1.17	1.36	1.50

Please refer to page 20, 21, 22 about the formed or taped product spec.
Please refer to page 4 for the minimum order quantity.