



TS78M00A series

3-Terminal Medium Current Positive Voltage Regulator

TO-220



TO-252



Pin assignment:
 1. Input
 2. Ground
 3. Output
 (Heatsink surface connected to Pin 2)

Voltage Range 5V to 24V
Output Current up to 0.5A

General Description

The TS78M00A Series positive voltage regulators are identical to the popular TS7800 Series devices, except that they are specified for only half the output current. Like the TS7800 devices, the TS78M00A Series 3-Terminal regulators are intended for local, on-card voltage regulation.

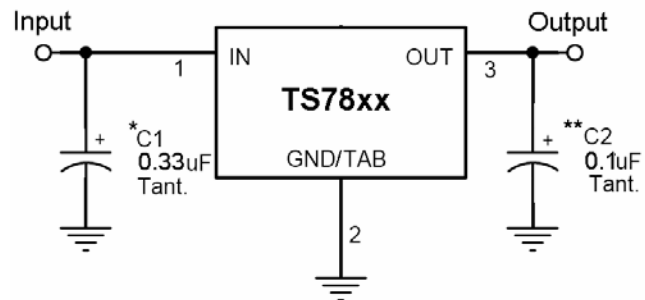
Internal current limiting, thermal shutdown circuitry and safe-area compensation for the internal pass transistor combine to make these devices remarkably rugged under most operating conditions. Maximum output current with adequate heatsink is 500mA

This series is offered in 3-pin TO-220, TO-252 package.

Features

- ◇ Output current up to 0.5A
- ◇ No external components required
- ◇ Internal thermal overload protection
- ◇ Internal short-circuit current limiting
- ◇ Output transistor safe-area compensation
- ◇ Output voltage offered in 2% tolerance

Standard Application



A common ground is required between the input and the output voltages. The input voltage must remain typically 2.0V above the output voltage even during the low point on the Input ripple voltage.

XX = these two digits of the type number indicate voltage.

* = Cin is required if regulator is located an appreciable distance from power supply filter.

** = Co is not needed for stability; however, it does improve transient response.

Ordering Information

| Part No. | Operating Temp. (Ambient) | Package |
|------------|---------------------------|---------|
| TS78MxxACZ | -20 ~ +85°C | TO-220 |
| TS78MxxACP | | TO-252 |

Note: Where xx denotes voltage option.

Absolute Maximum Rating

| | | | |
|--------------------------------------|--------------------|------------------|----|
| Input Voltage | V _{in} * | 35 | V |
| Input Voltage | V _{in} ** | 40 | V |
| Power Dissipation | TO-220 | Without heatsink | 2 |
| | TO-220 | Pt *** | 15 |
| | TO-252 | Without heatsink | 1 |
| Operating Junction Temperature Range | T _J | 0 ~ +150 | °C |
| Storage Temperature Range | T _{STG} | -65 ~ +150 | °C |

Note : * TS78M05A to TS78M18A

** TS78M24A

*** Follow the derating curve



TS78M05A Electrical Characteristics

($V_{in}=10V$, $I_{out}=350mA$, $0^{\circ}C \leq T_j \leq 125^{\circ}C$, $C_{in}=0.33\mu F$, $C_{out}=0.1\mu F$; unless otherwise specified.)

| Parameter | Symbol | Test Conditions | Min | Typ | Max | Unit |
|---|-------------------------------|---|-------------------------------|------|------|--------------------|
| Output voltage | V_{out} | $T_j=25^{\circ}C$ | 4.90 | 5 | 5.10 | V |
| | | $7.5V \leq V_{in} \leq 20V$, $5mA \leq I_{out} \leq 350mA$, $PD \leq 5W$ | 4.80 | 5 | 5.20 | |
| Line Regulation | REGline | $T_j=25^{\circ}C$ $7.5V \leq V_{in} \leq 25V$, $I_o=200mA$ | -- | 3 | 50 | mV |
| Load Regulation | REGload | $T_j=25^{\circ}C$ | $5mA \leq I_{out} \leq 500mA$ | -- | 20 | |
| | | | $5mA \leq I_{out} \leq 200mA$ | -- | 10 | 50 |
| Quiescent Current | I_q | $I_{out}=0$, $T_j=25^{\circ}C$ | -- | 3 | 6 | mA |
| Quiescent Current Change | ΔI_q | $7.5V \leq V_{in} \leq 25V$ | -- | -- | 0.8 | |
| | | $5mA \leq I_{out} \leq 350mA$ | -- | -- | 0.5 | |
| Output Noise Voltage | V_n | $10Hz \leq f \leq 100KHz$, $T_j=25^{\circ}C$ | -- | 40 | -- | μV |
| Ripple Rejection Ratio | RR | $f=120Hz$, $8V \leq V_{in} \leq 18V$ | 62 | 80 | -- | dB |
| Voltage Drop | V_{drop} | $I_{out}=350mA$, $T_j=25^{\circ}C$ | -- | 2 | -- | V |
| Peak Output Current | I_o peak | $T_j=25^{\circ}C$ | -- | 0.7 | -- | A |
| Temperature Coefficient of Output Voltage | $\Delta V_{out} / \Delta T_j$ | $I_{out}=5mA$, $0^{\circ}C \leq T_j \leq 125^{\circ}C$ | -- | -0.2 | -- | mV/ $^{\circ}C$ |

TS78M06A Electrical Characteristics

($V_{in}=11V$, $I_{out}=350mA$, $0^{\circ}C \leq T_j \leq 125^{\circ}C$, $C_{in}=0.33\mu F$, $C_{out}=0.1\mu F$; unless otherwise specified.)

| Parameter | Symbol | Test Conditions | Min | Typ | Max | Unit |
|---|-------------------------------|---|-------------------------------|------|------|--------------------|
| Output Voltage | V_{out} | $T_j=25^{\circ}C$ | 5.88 | 6 | 6.12 | V |
| | | $8.5V \leq V_{in} \leq 21V$, $5mA \leq I_{out} \leq 350mA$, $PD \leq 5W$ | 5.76 | 6 | 6.24 | |
| Line Regulation | REGline | $T_j=25^{\circ}C$ $8.5V \leq V_{in} \leq 25V$, $I_o=200mA$ | -- | 3 | 50 | mV |
| Load Regulation | REGload | $T_j=25^{\circ}C$ | $5mA \leq I_{out} \leq 500mA$ | -- | 20 | |
| | | | $5mA \leq I_{out} \leq 200mA$ | -- | 10 | 60 |
| Quiescent Current | I_q | $I_{out}=0$, $T_j=25^{\circ}C$ | -- | 3 | 6 | mA |
| Quiescent Current Change | ΔI_q | $8.5V \leq V_{in} \leq 25V$ | -- | -- | 0.8 | |
| | | $5mA \leq I_{out} \leq 350mA$ | -- | -- | 0.5 | |
| Output Noise Voltage | V_n | $10Hz \leq f \leq 100KHz$, $T_j=25^{\circ}C$ | -- | 45 | -- | μV |
| Ripple Rejection Ratio | RR | $f=120Hz$, $9V \leq V_{in} \leq 19V$ | 59 | 80 | -- | dB |
| Voltage Drop | V_{drop} | $I_{out}=350mA$, $T_j=25^{\circ}C$ | -- | 2 | -- | V |
| Output Short Circuit Current | I_{os} | $T_j=25^{\circ}C$ | -- | 50 | -- | mA |
| Peak Output Current | I_o peak | $T_j=25^{\circ}C$ | -- | 0.7 | -- | A |
| Temperature Coefficient of Output Voltage | $\Delta V_{out} / \Delta T_j$ | $I_{out}=5mA$, $0^{\circ}C \leq T_j \leq 125^{\circ}C$ | -- | -0.2 | -- | mV/ $^{\circ}C$ |

- Pulse testing techniques are used to maintain the junction temperature as close to the ambient temperature as possible, and thermal effects must be taken into account separately.
- This specification applies only for DC power dissipation permitted by absolute maximum ratings.



TS78M08A Electrical Characteristics

($V_{in}=14V$, $I_{out}=350mA$, $0^{\circ}C \leq T_j \leq 125^{\circ}C$, $C_{in}=0.33\mu F$, $C_{out}=0.1\mu F$; unless otherwise specified.)

| Parameter | Symbol | Test Conditions | Min | Typ | Max | Unit |
|---|------------|---|--------------------|------|------|--------|
| Output Voltage | Vout | Tj=25 °C | 7.84 | 8 | 8.16 | V |
| | | 10.5V ≤ Vin ≤ 23V, 5mA ≤ Iout ≤ 350mA, PD ≤ 5W | 7.68 | 8 | 8.32 | |
| Line Regulation | REGline | Tj=25 °C 10.5V ≤ Vin ≤ 25V, Io=200mA | -- | 6 | 50 | mV |
| Load Regulation | REGload | Tj=25 °C | 5mA ≤ Iout ≤ 500mA | -- | 25 | |
| | | | 5mA ≤ Iout ≤ 200mA | -- | 10 | 80 |
| Quiescent Current | Iq | Iout=0, Tj=25 °C | -- | 3 | 6 | mA |
| Quiescent Current Change | ΔIq | 10.5V ≤ Vin ≤ 25V | -- | -- | 0.8 | |
| | | 5mA ≤ Iout ≤ 350mA | -- | -- | 0.5 | |
| Output Noise Voltage | Vn | 10Hz ≤ f ≤ 100KHz, Tj=25 °C | -- | 52 | -- | μV |
| Ripple Rejection Ratio | RR | f=120Hz, 11V ≤ Vin ≤ 21V | 56 | 80 | -- | dB |
| Voltage Drop | Vdrop | Iout=350mA, Tj=25 °C | -- | 2 | -- | V |
| Output Short Circuit Current | Ios | Tj=25 °C | -- | 50 | -- | mA |
| Peak Output Current | Io peak | Tj=25 °C | -- | 0.7 | -- | A |
| Temperature Coefficient of Output Voltage | ΔVout/ ΔTj | Iout=5mA, 0 °C ≤ Tj ≤ 125 °C | -- | -0.2 | -- | mV/ °C |

TS78M09A Electrical Characteristics

($V_{in}=15V$, $I_{out}=350mA$, $0^{\circ}C \leq T_j \leq 125^{\circ}C$, $C_{in}=0.33\mu F$, $C_{out}=0.1\mu F$; unless otherwise specified.)

| Parameter | Symbol | Test Conditions | Min | Typ | Max | Unit |
|---|------------|---|--------------------|-----|-----|------|
| Output Voltage | Vout | Tj=25 °C | | | | |
| | | 11.5V ≤ Vin ≤ 23V, 5mA ≤ Iout ≤ 350mA, PD ≤ 5W | | | | |
| Line Regulation | REGline | Tj=25 °C 11.5V ≤ Vin ≤ 26V, Io=200mA | | | | |
| Load Regulation | REGload | Tj=25 °C | 5mA ≤ Iout ≤ 500mA | | | |
| | | | 5mA ≤ Iout ≤ 200mA | | | |
| Quiescent Current | Iq | Iout=0, Tj=25 °C | | | | |
| Quiescent Current Change | ΔIq | 11.5V ≤ Vin ≤ 26V | | | | |
| | | 5mA ≤ Iout ≤ 350mA | | | | |
| Output Noise Voltage | Vn | 10Hz ≤ f ≤ 100KHz, Tj=25 °C | | | | |
| Ripple Rejection Ratio | RR | f=120Hz, 12V ≤ Vin ≤ 22V | | | | |
| Voltage Drop | Vdrop | Iout=350mA, Tj=25 °C | | | | |
| Output Short Circuit Current | Ios | Tj=25 °C | | | | |
| Peak Output Current | Io peak | Tj=25 °C | | | | |
| Temperature Coefficient of Output Voltage | ΔVout/ ΔTj | Iout=5mA, 0 °C ≤ Tj ≤ 125 °C | | | | |

- Pulse testing techniques are used to maintain the junction temperature as close to the ambient temperature as possible, and thermal effects must be taken into account separately.
- This specification applies only for DC power dissipation permitted by absolute maximum ratings.



TS78M10A Electrical Characteristics

($V_{in}=16V$, $I_{out}=350mA$, $0^{\circ}C \leq T_j \leq 125^{\circ}C$, $C_{in}=0.33\mu F$, $C_{out}=0.1\mu F$; unless otherwise specified.)

| Parameter | Symbol | Test Conditions | Min | Typ | Max | Unit |
|---|-------------------------------|--|-------------------------------|------|-------|--------------------|
| Output Voltage | V_{out} | $T_j=25^{\circ}C$ | 9.80 | 10 | 10.20 | V |
| | | $12.5V \leq V_{in} \leq 25V$, $5mA \leq I_{out} \leq 350mA$, $PD \leq 5W$ | 9.60 | 10 | 10.40 | |
| Line Regulation | REGline | $T_j=25^{\circ}C$ $12.5V \leq V_{in} \leq 28V$, $I_o=200mA$ | -- | 8 | 50 | mV |
| Load Regulation | REGload | $T_j=25^{\circ}C$ | $5mA \leq I_{out} \leq 500mA$ | -- | 25 | |
| | | | $5mA \leq I_{out} \leq 200mA$ | -- | 10 | 100 |
| Quiescent Current | I_q | $I_{out}=0$, $T_j=25^{\circ}C$ | -- | 3 | 6 | mA |
| Quiescent Current Change | ΔI_q | $12.5V \leq V_{in} \leq 28V$ | -- | -- | 0.8 | |
| | | $5mA \leq I_{out} \leq 350mA$ | -- | -- | 0.5 | |
| Output Noise Voltage | V_n | $10Hz \leq f \leq 100KHz$, $T_j=25^{\circ}C$ | -- | 70 | -- | μV |
| Ripple Rejection Ratio | RR | $f=120Hz$, $13V \leq V_{in} \leq 23V$ | 55 | 80 | -- | dB |
| Voltage Drop | V_{drop} | $I_{out}=350mA$, $T_j=25^{\circ}C$ | -- | 2 | -- | V |
| Output Short Circuit Current | I_{os} | $T_j=25^{\circ}C$ | -- | 50 | -- | mA |
| Peak Output Current | $I_o \text{ peak}$ | $T_j=25^{\circ}C$ | -- | 0.7 | -- | A |
| Temperature Coefficient of Output Voltage | $\Delta V_{out} / \Delta T_j$ | $I_{out}=5mA$, $0^{\circ}C \leq T_j \leq 125^{\circ}C$ | -- | -0.3 | -- | mV/ $^{\circ}C$ |

TS78M12A Electrical Characteristics

($V_{in}=19V$, $I_{out}=350mA$, $0^{\circ}C \leq T_j \leq 125^{\circ}C$, $C_{in}=0.33\mu F$, $C_{out}=0.1\mu F$; unless otherwise specified.)

| Parameter | Symbol | Test Conditions | Min | Typ | Max | Unit |
|---|-------------------------------|--|-------------------------------|------|-------|--------------------|
| Output Voltage | V_{out} | $T_j=25^{\circ}C$ | 11.76 | 12 | 12.24 | V |
| | | $14.5V \leq V_{in} \leq 27V$, $5mA \leq I_{out} \leq 350mA$, $PD \leq 5W$ | 11.52 | 12 | 12.48 | |
| Line Regulation | REGline | $T_j=25^{\circ}C$ $14.5V \leq V_{in} \leq 30V$, $I_o=200mA$ | -- | 8 | 50 | mV |
| Load Regulation | REGload | $T_j=25^{\circ}C$ | $5mA \leq I_{out} \leq 500mA$ | -- | 25 | 240 |
| | | | $0mA \leq I_{out} \leq 200mA$ | -- | 10 | 120 |
| Quiescent Current | I_q | $T_j=25^{\circ}C$, $I_{out}=0$ | -- | 3 | 6 | mA |
| Quiescent Current Change | ΔI_q | $14.5V \leq V_{in} \leq 30V$ | -- | -- | 0.8 | |
| | | $5mA \leq I_{out} \leq 200mA$ | -- | -- | 0.5 | |
| Output Noise Voltage | V_n | $10Hz \leq f \leq 100KHz$, $T_j=25^{\circ}C$ | -- | 75 | -- | μV |
| Ripple Rejection Ratio | RR | $f=120Hz$, $15V \leq V_{in} \leq 25V$ | 55 | 80 | -- | dB |
| Voltage Drop | V_{drop} | $I_{out}=350mA$, $T_j=25^{\circ}C$ | -- | 2 | -- | V |
| Output Short Circuit Current | I_{os} | $T_j=25^{\circ}C$ | -- | 50 | -- | mA |
| Peak Output Current | $I_o \text{ peak}$ | $T_j=25^{\circ}C$ | -- | 0.7 | -- | A |
| Temperature Coefficient of Output Voltage | $\Delta V_{out} / \Delta T_j$ | $I_{out}=5mA$, $0^{\circ}C \leq T_j \leq 125^{\circ}C$ | -- | -0.3 | -- | mV/ $^{\circ}C$ |

- Pulse testing techniques are used to maintain the junction temperature as close to the ambient temperature as possible, and thermal effects must be taken into account separately.
- This specification applies only for DC power dissipation permitted by absolute maximum ratings.



TS78M15A Electrical Characteristics

($V_{in}=23V$, $I_{out}=350mA$, $0^{\circ}C \leq T_j \leq 125^{\circ}C$, $C_{in}=0.33\mu F$, $C_{out}=0.1\mu F$; unless otherwise specified.)

| Parameter | Symbol | Test Conditions | | Min | Typ | Max | Unit |
|---|-------------------------------|--|---|-------|------|-------|--------------------|
| Output Voltage | V_{out} | $T_j=25^{\circ}C$ | | 14.70 | 15 | 15.30 | V |
| | | $17.5V \leq V_{in} \leq 30V$, $5mA \leq I_{out} \leq 350mA$, $PD \leq 5W$ | | 14.40 | 15 | 15.60 | |
| Line Regulation | REG _{line} | $T_j=25^{\circ}C$ | $17.5V \leq V_{in} \leq 30V$, $I_o=200mA$ | -- | 8 | 50 | mV |
| Load Regulation | REG _{load} | $T_j=25^{\circ}C$ | $5mA \leq I_{out} \leq 500mA$ | -- | 25 | 300 | |
| | | | $5mA \leq I_{out} \leq 200mA$ | -- | 10 | 150 | |
| Quiescent Current | I_q | $T_j=25^{\circ}C$, $I_{out}=0$ | | -- | 3 | 6 | mA |
| Quiescent Current Change | ΔI_q | $17.5V \leq V_{in} \leq 30V$ | | -- | -- | 0.8 | |
| | | $5mA \leq I_{out} \leq 350mA$ | | -- | -- | 0.5 | |
| Output Noise Voltage | V_n | $10Hz \leq f \leq 100KHz$, $T_j=25^{\circ}C$ | | -- | 90 | -- | μV |
| Ripple Rejection Ratio | RR | $f=120Hz$, $18V \leq V_{in} \leq 28V$ | | 54 | 70 | -- | dB |
| Voltage Drop | V_{drop} | $I_{out}=350mA$, $T_j=25^{\circ}C$ | | -- | 2 | -- | V |
| Output Short Circuit Current | I_{os} | $T_j=25^{\circ}C$ | | -- | 50 | -- | mA |
| Peak Output Current | $I_o \text{ peak}$ | $T_j=25^{\circ}C$ | | -- | 0.7 | -- | A |
| Temperature Coefficient of Output Voltage | $\Delta V_{out} / \Delta T_j$ | $I_{out}=5mA$, $0^{\circ}C \leq T_j \leq 125^{\circ}C$ | | -- | -0.3 | -- | mV/ $^{\circ}C$ |

TS78M18A Electrical Characteristics

($V_{in}=27V$, $I_{out}=350mA$, $0^{\circ}C \leq T_j \leq 125^{\circ}C$, $C_{in}=0.33\mu F$, $C_{out}=0.1\mu F$; unless otherwise specified.)

| Parameter | Symbol | Test Conditions | | Min | Typ | Max | Unit |
|---|-------------------------------|--|---|-------|------|-------|--------------------|
| Output Voltage | V_{out} | $T_j=25^{\circ}C$ | | 17.64 | 18 | 18.36 | V |
| | | $21V \leq V_{in} \leq 33V$, $5mA \leq I_{out} \leq 350mA$, $PD \leq 5W$ | | 17.28 | 18 | 18.72 | |
| Line Regulation | REG _{line} | $T_j=25^{\circ}C$ | $21V \leq V_{in} \leq 33V$, $I_o=200mA$ | -- | 8 | 50 | mV |
| Load Regulation | REG _{load} | $T_j=25^{\circ}C$ | $5mA \leq I_{out} \leq 500mA$ | -- | 25 | 360 | |
| | | | $5mA \leq I_{out} \leq 200mA$ | -- | 10 | 180 | |
| Quiescent Current | I_q | $T_j=25^{\circ}C$, $I_{out}=0$ | | -- | 3 | 6 | mA |
| Quiescent Current Change | ΔI_q | $21V \leq V_{in} \leq 33V$ | | -- | -- | 0.8 | |
| | | $5mA \leq I_{out} \leq 350mA$ | | -- | -- | 0.5 | |
| Output Noise Voltage | V_n | $10Hz \leq f \leq 100KHz$, $T_j=25^{\circ}C$ | | -- | 110 | -- | μV |
| Ripple Rejection Ratio | RR | $f=120Hz$, $21V \leq V_{in} \leq 31V$ | | 54 | 70 | -- | dB |
| Voltage Drop | V_{drop} | $I_{out}=350mA$, $T_j=25^{\circ}C$ | | -- | 2 | -- | V |
| Output Short Circuit Current | I_{os} | $T_j=25^{\circ}C$ | | -- | 50 | -- | mA |
| Peak Output Current | $I_o \text{ peak}$ | $T_j=25^{\circ}C$ | | -- | 0.7 | -- | A |
| Temperature Coefficient of Output Voltage | $\Delta V_{out} / \Delta T_j$ | $I_{out}=5mA$, $0^{\circ}C \leq T_j \leq 125^{\circ}C$ | | -- | -0.5 | -- | mV/ $^{\circ}C$ |

- Pulse testing techniques are used to maintain the junction temperature as close to the ambient temperature as possible, and thermal effects must be taken into account separately.
- This specification applies only for DC power dissipation permitted by absolute maximum ratings.



TS78M24A Electrical Characteristics

($V_{in}=33V$, $I_{out}=350mA$, $0^{\circ}C \leq T_j \leq 125^{\circ}C$, $C_{in}=0.33\mu F$, $C_{out}=0.1\mu F$; unless otherwise specified.)

| Parameter | Symbol | Test Conditions | Min | Typ | Max | Unit |
|---|-------------------------------|--|-------|------|-------|--------------------|
| Output Voltage | V_{out} | $T_j=25^{\circ}C$ | 23.52 | 24 | 24.48 | V |
| | | $27V \leq V_{in} \leq 38V$, $5mA \leq I_{out} \leq 350mA$, $PD \leq 5W$ | 22.04 | 24 | 25.96 | |
| Line Regulation | REG _{line} | $T_j=25^{\circ}C$ $27V \leq V_{in} \leq 38V$, $I_o=200mA$ | -- | 10 | 50 | mV |
| Load Regulation | REG _{load} | $T_j=25^{\circ}C$ $5mA \leq I_{out} \leq 500mA$ | -- | 30 | 480 | |
| | | $5mA \leq I_{out} \leq 200mA$ | -- | 10 | 240 | |
| Quiescent Current | I_q | $I_{out}=0$, $T_j=25^{\circ}C$ | -- | 4 | 7 | mA |
| Quiescent Current Change | ΔI_q | $27V \leq V_{in} \leq 38V$ | -- | -- | 0.8 | |
| | | $5mA \leq I_{out} \leq 350mA$ | -- | -- | 0.5 | |
| Output Noise Voltage | V_n | $10Hz \leq f \leq 100KHz$, $T_j=25^{\circ}C$ | -- | 170 | -- | μV |
| Ripple Rejection Ratio | RR | $f=120Hz$, $27V \leq V_{in} \leq 37V$ | 50 | 70 | -- | dB |
| Voltage Drop | V_{drop} | $I_{out}=350mA$, $T_j=25^{\circ}C$ | -- | 2 | -- | V |
| Output Short Circuit Current | I_{os} | $T_j=25^{\circ}C$ | -- | 50 | -- | mA |
| Peak Output Current | $I_o \text{ peak}$ | $T_j=25^{\circ}C$ | -- | 0.7 | -- | A |
| Temperature Coefficient of Output Voltage | $\Delta V_{out} / \Delta T_j$ | $I_{out}=5mA$, $0^{\circ}C \leq T_j \leq 125^{\circ}C$ | -- | -0.5 | -- | mV/ $^{\circ}C$ |

- Pulse testing techniques are used to maintain the junction temperature as close to the ambient temperature as possible, and thermal effects must be taken into account separately.
- This specification applies only for DC power dissipation permitted by absolute maximum ratings.

Electrical Characteristics Curve

FIGURE 1 - Worst Case Power Dissipation v.s. Ambient Temperature

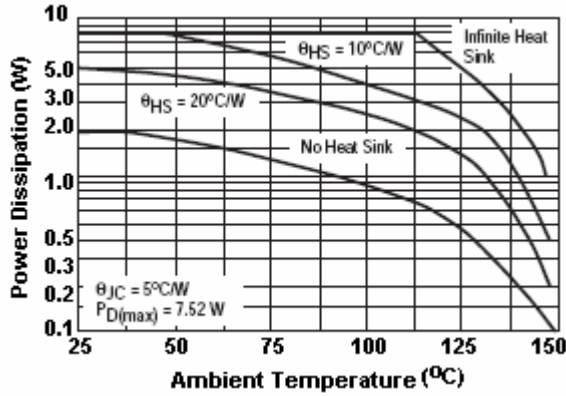


FIGURE 2 - Peak Output Current v.s. Dropout Voltage

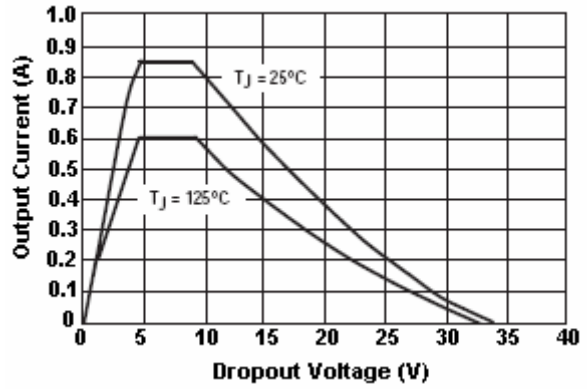


FIGURE 3 - Quiescent Current v.s. Input Voltage

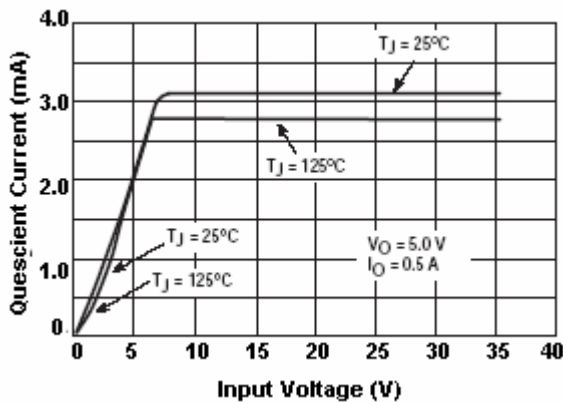


FIGURE 4 - Dropout Voltage v.s. Junction Temperature

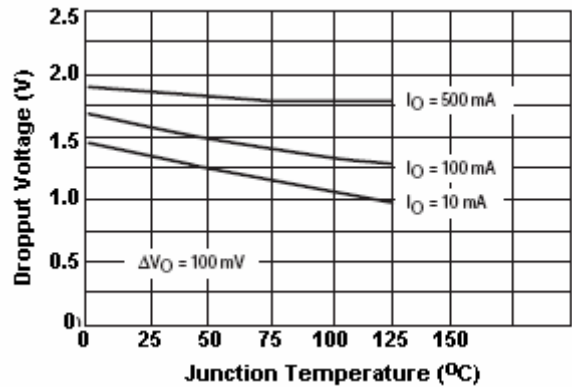


FIGURE 5 - Quiescent Current v.s. Output Current

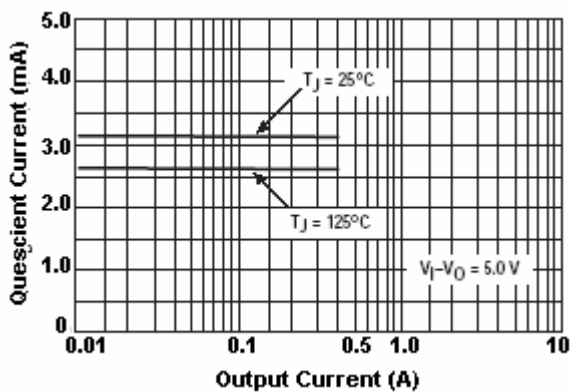
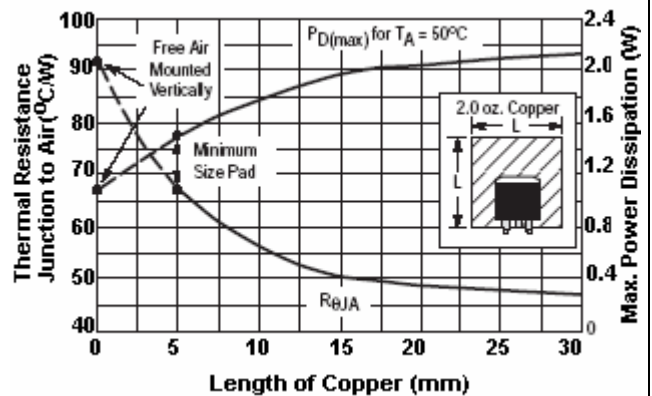


FIGURE 6 - TO-252 Thermal Resistance and P_{D(max)} v.s. P.C.B Copper Length



Electrical Characteristics Curve

FIGURE 7 – Ripple Rejection v.s. Frequency

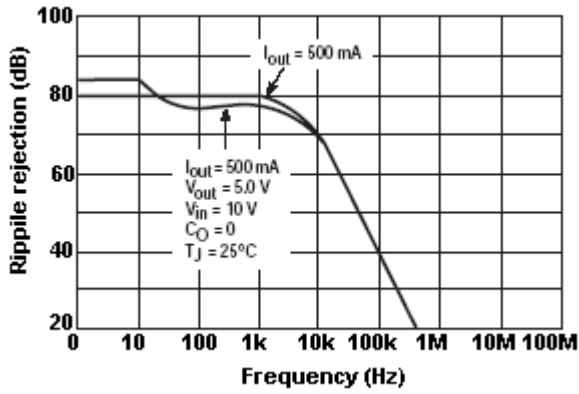
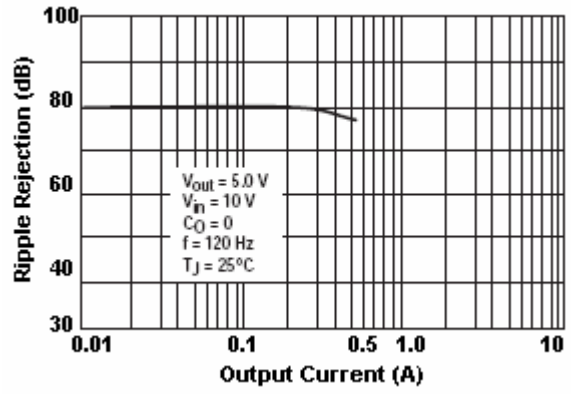
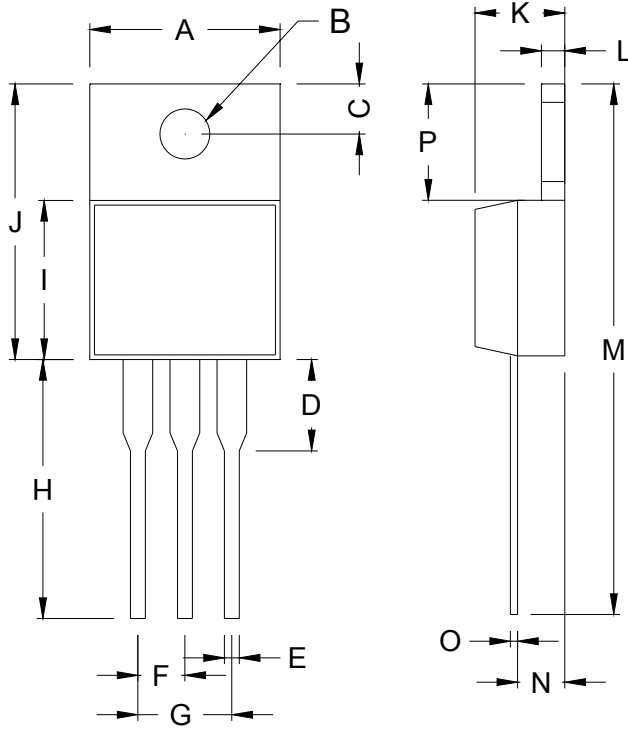


FIGURE 8 – Ripple Rejection v.s. Output Voltage

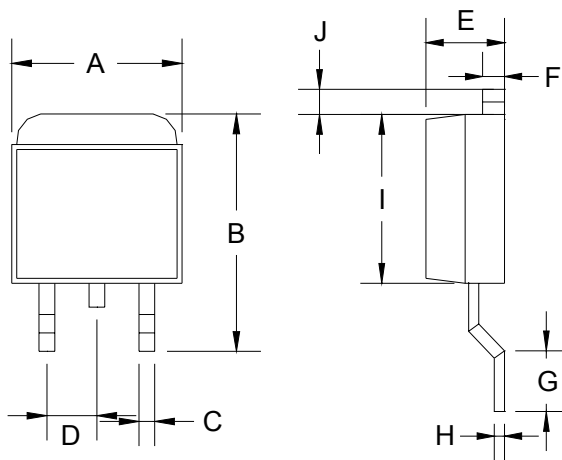


TO-220 Mechanical Drawing



| TO-220 DIMENSION | | | | |
|------------------|-------------|--------|--------|-------|
| DIM | MILLIMETERS | | INCHES | |
| | MIN | MAX | MIN | MAX |
| A | 10.000 | 10.500 | 0.394 | 0.413 |
| B | 3.240 | 4.440 | 0.128 | 0.175 |
| C | 2.440 | 2.940 | 0.096 | 0.116 |
| D | - | 6.350 | - | 0.250 |
| E | 0.381 | 1.106 | 0.015 | 0.040 |
| F | 2.345 | 2.715 | 0.092 | 0.058 |
| G | 4.690 | 5.430 | 0.092 | 0.107 |
| H | 12.700 | 14.732 | 0.500 | 0.581 |
| I | 8.382 | 9.017 | 0.330 | 0.355 |
| J | 14.224 | 16.510 | 0.560 | 0.650 |
| K | 3.556 | 4.826 | 0.140 | 0.190 |
| L | 0.508 | 1.397 | 0.020 | 0.055 |
| M | 27.700 | 29.620 | 1.060 | 1.230 |
| N | 2.032 | 2.921 | 0.080 | 0.115 |
| O | 0.255 | 0.610 | 0.010 | 0.024 |
| P | 5.842 | 6.858 | 0.230 | 0.270 |

TO-252 Mechanical Drawing



| TO-252 DIMENSION | | | | |
|------------------|-------------|--------|--------|-------|
| DIM | MILLIMETERS | | INCHES | |
| | MIN | MAX | MIN | MAX |
| A | 6.570 | 6.840 | 0.259 | 0.269 |
| B | 9.250 | 10.400 | 0.364 | 0.409 |
| C | 0.550 | 0.700 | 0.022 | 0.028 |
| D | 2.560 | 2.670 | 0.101 | 0.105 |
| E | 2.300 | 2.390 | 0.090 | 0.094 |
| F | 0.490 | 0.570 | 0.019 | 0.022 |
| G | 1.460 | 1.580 | 0.057 | 0.062 |
| H | 0.520 | 0.570 | 0.020 | 0.022 |
| I | 5.340 | 5.550 | 0.210 | 0.219 |
| J | 1.460 | 1.640 | 0.057 | 0.065 |