

CODE 61 - TINEL-LOCK BACKSHELL

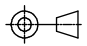


TXR61AB00-1608AI-S

SERIES _____
 TXR: RING INCLUDED
 (SEE RING OPTION)
 TX: RING NOT INCLUDED
 CONNECTOR INTERFACE _____
 MATERIAL _____
 REFER TO CH00-0250-008
 FINISH _____
 REFER TO CH00-0250-008
 ANGLE _____
 ORDER NUMBER (TABLE 1) _____
 ENTRY SIZE (TABLE 2) _____
 RING OPTION _____
 AI - TO SUIT SINGLE BRAID
 BI - TO SUIT DOUBLE BRAID
 FOR TX, LEAVE BLANK
 MODIFICATION CODE _____
 REFER TO CH00-0250-008 (2)

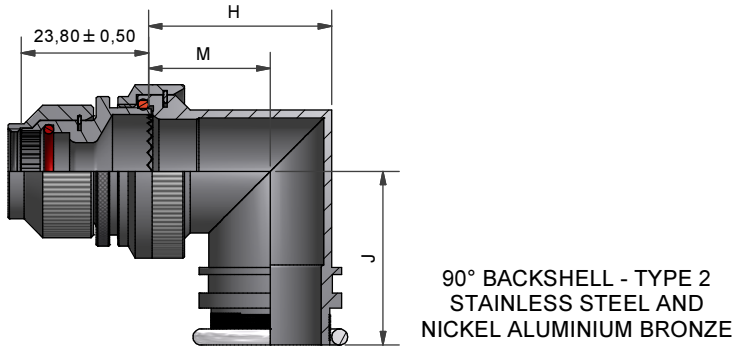
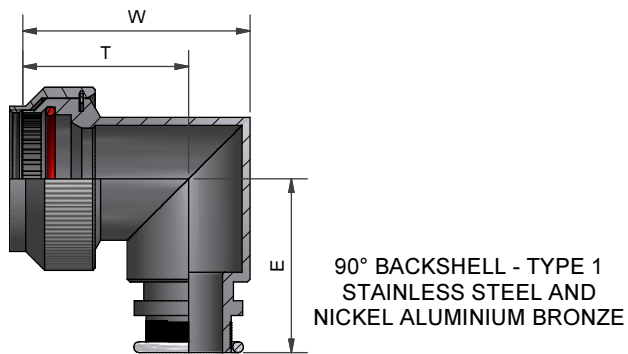
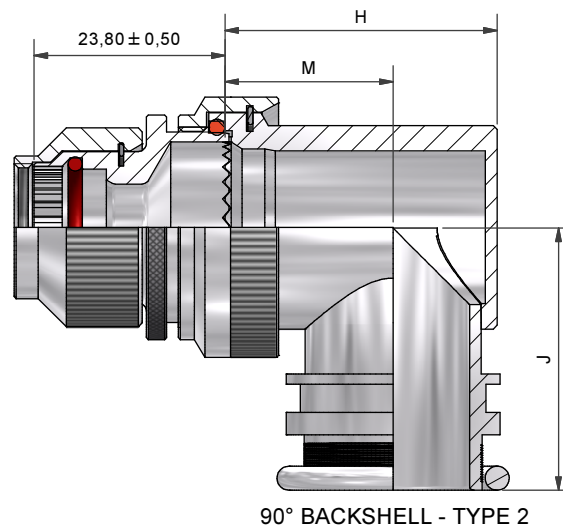
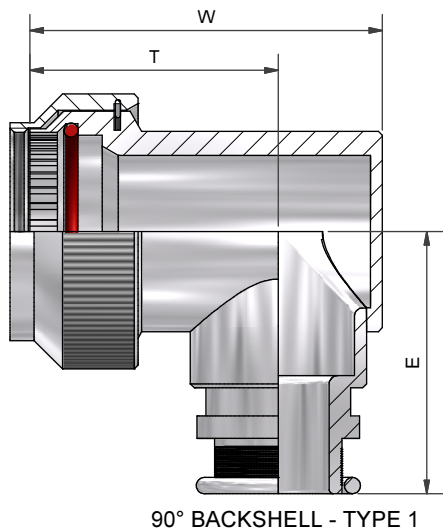
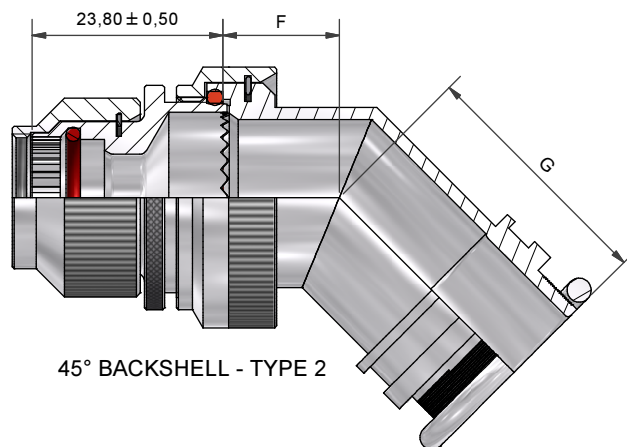
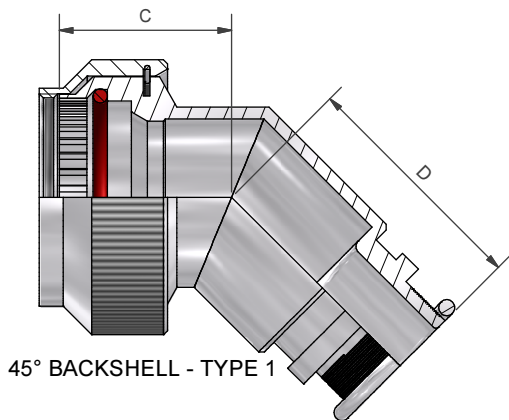
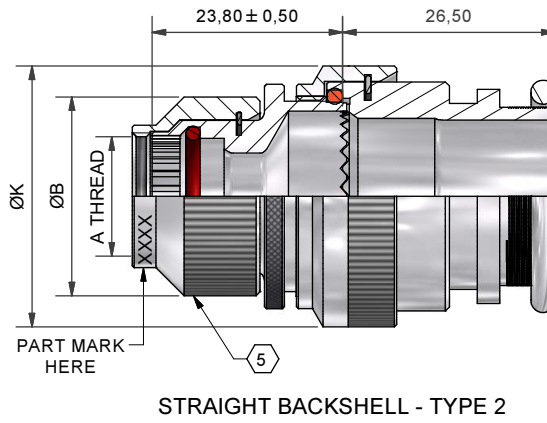
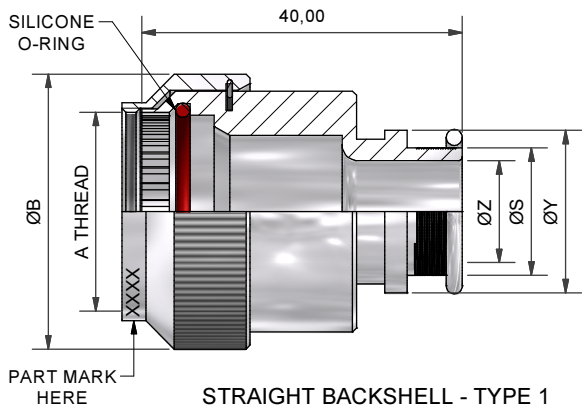
NOTES:

1. THIS PRODUCT IS DESIGNED TO TERMINATE A BRAIDED CABLE SHIELD AND A HEAT SHRINKABLE LIPPED BOOT TO A CONNECTOR.
- (2) FOR ADDITIONAL DIMENSIONS, ORDERING INFORMATION AND MODIFICATIONS, SEE CH00-0250-008.
- (3) SEE DRAWING TR FOR DETAIL ON TINEL-LOCK RING, RINGS ARE DESIGNED TO BE HEATED ELECTRICALLY, ALL RINGS ARE MARKED WITH THERMOCHROMIC PAINT WHICH CHANGES COLOUR WHEN INSTALLATION TEMPERATURE IS REACHED.
4. BACKSHELL TO BE PERMANENTLY MARKED/BAGGED AND LABELLED WITH CODE IDENTIFICATION NUMBER AND PART NUMBER LESS RING DESIGNATOR. (e.g. 06090-TXR61AB00-1206). RING SHALL BEAR NO MARKING.
- (5) FOR LARGER ENTRY SIZES, A 2 PIECE BACKSHELL ASSEMBLY (TYPE 2) IS SUPPLIED.
6. BACKSHELL MATES TO MIL-C-81511, SERIES 1, 2, 3 AND 4, CLASS A, C, E, F, P AND T, M81511/1, /5, /6, /21, /23, /25, /26, /31, /32, /33, /34, /35, /36, /37, /38 /45, /46, /49, /51, /53, /55 AND /56 CONNECTORS.
- (7) THESE DIMENSIONS APPLY IF A SELF-LOCKING COUPLING NUT IS USED.

If this document is printed it becomes uncontrolled. Check for the latest revision

| | | | | | | | |
|--|---------------------------|------------|--|---|---|--|-----------------|
| DRAWN | K.WINCZURA | DATE | 24/02/2015 |  3RD ANGLE PROJECTION NOT TO SCALE | TITLE: TINEL-LOCK BACKSHELL |  Polamco  | |
| CHECKED | | 24/02/2015 | | | | | |
| APPROVED | K.SHEPPARD | 20/03/2015 | UNLESS OTHERWISE SPECIFIED ALL DIMENSIONS IN MILLIMETRES GENERAL TOL LINEAR +/-0.25MM ANGULAR +/- 1° | | | | |
| APPROVED | H.SMITH | 20/08/2015 | | | | | |
| REVISIONS | | | | | ASSY USED ON: MIL-DTL-81511 | TE CONNECTIVITY - POLAMCO LTD RESERVES THE RIGHT TO AMEND THIS DRAWING AND THE INFORMATION SET FORTH HEREON AT ANY TIME. USERS SHOULD INDEPENDENTLY EVALUATE THE SUITABILITY OF THE PRODUCT FOR THEIR APPLICATION. | |
| LTR | DESCRIPTION | DATE | APPROVED | | | | |
| D | REVISED PER ECN AD93073 | | | | | | |
| E | REVISED PER ECO-15-011999 | 20/08/2015 | H.SMITH | | | | |
| TE CAGE CODE: 06090 POLAMCO/TE CAGE CODE: U5792 | | | | | DRAWING NO: TXR61 | DRAWING REV: E | SHT 1 |

IF MAX ENTRY IS EXCEEDED BACKSHELL WILL BE SUPPLIED AS TYPE 2



| | | | |
|-----------|---------------------------|------------|------------|
| DRAWN | K.WINCZURA | DATE | 24/02/2015 |
| CHECKED | | DATE | 24/02/2015 |
| APPROVED | K.SHEPPARD | DATE | 20/03/2015 |
| APPROVED | H.SMITH | DATE | 20/08/2015 |
| REVISIONS | | | |
| LTR | DESCRIPTION | DATE | APPROVED |
| D | REVISED PER ECN AD93073 | | |
| E | REVISED PER ECO-15-011999 | 20/08/2015 | H.SMITH |

3RD ANGLE PROJECTION
NOT TO SCALE

UNLESS OTHERWISE SPECIFIED
ALL DIMENSIONS IN MILLIMETRES
GENERAL TOL
LINEAR +/-0.25MM
ANGULAR +/- 1°

TITLE:

TINEL-LOCK BACKSHELL

ASSY USED ON:

MIL-DTL-81511

TE CONNECTIVITY - POLAMCO LTD RESERVES THE RIGHT TO AMEND THIS DRAWING AND THE INFORMATION SET FORTH HEREON AT ANY TIME. USERS SHOULD INDEPENDENTLY EVALUATE THE SUITABILITY OF THE PRODUCT FOR THEIR APPLICATION.

DRAWING NO:
TXR61

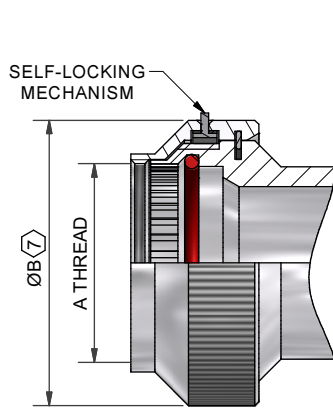
DRAWING REV:
E

SHT
2

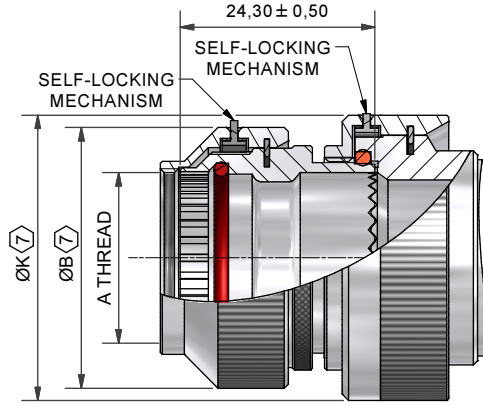
TE CAGE CODE: 06090
POLAMCO/TE CAGE CODE: U5792



MODIFICATION S



BACKSHELL - TYPE 1



BACKSHELL - TYPE 2

TABLE 1

| ORDER NO. | SHELL SIZE COM'L / MIL | A THREAD | ØB MAX | ØB MAX (7) | MAX ENTRY | C ±0,5 | D ±0,5 | W ±0,5 | T ±0,5 | E ±0,5 | THESE DIMENSIONS APPLY IF BACKSHELL IS STAINLESS STEEL OR NICKEL ALUMINIUM BRONZE | | |
|-----------|------------------------|--------------|--------|------------|-----------|--------|--------|--------|--------|--------|---|--------|--------|
| | | | | | | | | | | | W ±0,5 | T ±0,5 | E ±0,5 |
| 08 | 8 / A | 1/2-28UNEF | 21,6 | 23,6 | 06 | 18,7 | 26,8 | 31,7 | 24,5 | 27,05 | 29,4 | 24,5 | 26,4 |
| 10 | 10 / B | 5/8-28UNEF | 24,8 | 26,4 | 08 | 19,0 | 27,5 | 34,0 | 25,3 | 27,95 | 32,4 | 25,3 | 28,2 |
| 14 | 14 / D | 7/8-28UNEF | 31,1 | 32,9 | 12 | 20,5 | 29,0 | 40,4 | 28,2 | 31,50 | 39,3 | 28,2 | 31,2 |
| 16 | 16 / E | 1-28UNEF | 34,3 | 36,6 | 14 | 21,2 | 29,7 | 44,0 | 31,0 | 32,70 | 42,4 | 31,0 | 32,9 |
| 18 | 18 / F | 1 1/8-28UNEF | 37,5 | 38,9 | 16 | 21,9 | 30,5 | 46,7 | 32,0 | 34,25 | 45,2 | 32,0 | 34,5 |
| 20 | 20 / G | 1 1/4-28UNEF | 40,6 | 41,9 | 18 | 22,5 | 30,9 | 49,7 | 33,0 | 35,80 | 47,6 | 33,0 | 36,1 |
| 22 | 22 / H | 1 3/8-28UNEF | 43,8 | 44,9 | 20 | 22,8 | 31,1 | 51,2 | 33,7 | 37,40 | 49,8 | 33,7 | 37,6 |
| 24 | 24 / J | 1 1/2-28UNEF | 47,0 | 48,1 | 22 | 23,7 | 32,1 | 54,7 | 35,5 | 38,90 | 52,8 | 35,5 | 39,1 |

TABLE 2

| ENTRY SIZE | ØZ MIN | ØS | ØY ± 0,3 | ØK MAX | ØK MAX (7) | F ±0,5 | G ±0,5 | H ±0,5 | M ±0,5 | J ±0,5 | THESE DIMENSIONS APPLY IF BACKSHELL IS STAINLESS STEEL OR NICKEL ALUMINIUM BRONZE | | |
|------------|--------|---------------|----------|--------|------------|--------|--------|--------|--------|--------|---|--------|--------|
| | | | | | | | | | | | H ±0,5 | M ±0,5 | J ±0,5 |
| 04 | 6,35 | 9,49 +/-0,04 | 14,00 | NA | NA | NA | NA | NA | NA | NA | NA | NA | NA |
| 05 | 7,92 | 11,06 +/-0,04 | 15,50 | NA | NA | NA | NA | NA | NA | NA | NA | NA | NA |
| 06 | 9,53 | 12,66 +/-0,04 | 17,10 | NA | NA | NA | NA | NA | NA | NA | NA | NA | NA |
| 07 | 11,10 | 14,21 +/-0,07 | 18,70 | 21,0 | 24,6 | 12,5 | 27,5 | 24,0 | 15,5 | 27,95 | 24,3 | 17,2 | 28,2 |
| 08 | 12,70 | 15,81 +/-0,07 | 20,30 | 24,5 | 28,3 | 13,1 | 28,0 | 27,0 | 17,0 | 29,45 | 28,3 | 19,4 | 29,7 |
| 10 | 15,88 | 18,96 +/-0,08 | 23,50 | 29,0 | 32,4 | 13,5 | 29,0 | 31,0 | 19,5 | 31,00 | 31,1 | 21,0 | 31,2 |
| 12 | 19,05 | 22,14 +/-0,08 | 26,70 | 32,5 | 35,6 | 14,5 | 29,7 | 34,0 | 21,0 | 32,70 | 34,2 | 22,8 | 32,9 |
| 14 | 22,23 | 25,30 +/-0,08 | 29,80 | 35,5 | 38,5 | 15,5 | 30,5 | 35,0 | 20,0 | 34,25 | 38,5 | 25,3 | 34,5 |
| 16 | 25,40 | 28,48 +/-0,08 | 33,00 | 37,0 | 41,7 | 16,1 | 30,9 | 38,0 | 21,5 | 35,80 | 40,7 | 26,1 | 36,1 |
| 18 | 28,58 | 31,65 +/-0,08 | 36,20 | 40,0 | 43,9 | 16,5 | 31,1 | 42,0 | 24,0 | 37,40 | 43,7 | 27,6 | 37,6 |
| 20 | 31,75 | 34,83 +/-0,08 | 39,40 | 43,5 | 47,0 | 17,0 | 32,1 | 45,0 | 25,5 | 38,90 | 46,4 | 29,1 | 39,1 |
| 22 | 34,93 | 37,98 +/-0,08 | 42,50 | 48,5 | 50,0 | 18,5 | 35,3 | 54,5 | 31,0 | 42,00 | 50,0 | 31,0 | 42,0 |
| 24 | 38,10 | 41,15 +/-0,08 | 45,70 | 52,1 | 56,0 | 21,9 | 38,1 | 58,0 | 33,0 | 46,00 | 53,5 | 33,0 | 46,0 |

If this document is printed it becomes uncontrolled. Check for the latest revision

| | | | | | | |
|--|---------------------------|--------------------|----------|--|--|-----------------------------|
| DRAWN | K.WINCZURA | DATE 24/02/2015 | | 3RD ANGLE PROJECTION NOT TO SCALE | TITLE: TINEL-LOCK BACKSHELL | Polamco |
| CHECKED | | 24/02/2015 | | | ASSY USED ON: MIL-DTL-81511 | |
| APPROVED | K.SHEPPARD | 20/03/2015 | | UNLESS OTHERWISE SPECIFIED ALL DIMENSIONS IN MILLIMETRES GENERAL TOL LINEAR +/-0,25MM ANGULAR +/- 1° | | |
| APPROVED | H.SMITH | 20/08/2015 | | | | |
| REVISIONS | | | | | | |
| LTR | DESCRIPTION | DATE | APPROVED | | | |
| D | REVISED PER ECN AD93073 | | | | | |
| E | REVISED PER ECO-15-011999 | 20/08/2015 | H.SMITH | | | |
| TE CAGE CODE: 06090 POLAMCO/TE CAGE CODE: U5792 | | | | | TE CONNECTIVITY - POLAMCO LTD RESERVES THE RIGHT TO AMEND THIS DRAWING AND THE INFORMATION SET FORTH HEREON AT ANY TIME. USERS SHOULD INDEPENDENTLY EVALUATE THE SUITABILITY OF THE PRODUCT FOR THEIR APPLICATION. | DRAWING NO: TXR61 |
| | | | | | DRAWING REV: E | SHT 3 |

Mouser Electronics

Authorized Distributor

Click to View Pricing, Inventory, Delivery & Lifecycle Information:

TE Connectivity:

[TX61AB90-1008-CS2477](#) [TX61AB90-2212](#) [TX61AB00-2418-CS2472](#) [TX61AB90-1606](#) [TX61AB00-2414-CS2472](#)
[TX61AB00-1610](#) [TX61AB00-1812-CS2472](#) [TX61AB00-1816-CS2472](#) [TX61AB00-1008-CS2472](#) [TX61AB00-1407](#)
[TX61AB00-1606](#) [TX61AB90-1610](#) [TX61AB90-1612](#) [TX61AB90-1614](#) [TX61AB90-1810](#) [TX61AB00-1612-CS2472](#)
[TX61AB00-1614](#) [TX61AB00-1810](#) [TX61AB00-1822-CS2472](#) [TX61AB00-2018-CS2472](#) [TX61AB90-1405](#)