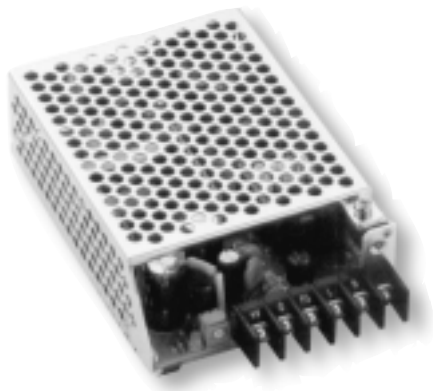




SP15U

15 WATT , Universal Input Fully Enclosed Switching Power Supply



FEATURES

- ✔ UNIVERSAL INPUT (AC85-264V)
- ✔ BUILT-IN OVERVOLTAGE PROTECTION
- ✔ OVERCURRENT PROTECTION
- ✔ LIGHTWEIGHT CONSTRUCTION
- ✔ METAL CHASSIS WITH COVER
- ✔ COMPACT, LOW-PROFILE PACKAGES
- ✔ 3 YEAR WARRANTY

SAFETIES / EMI






 FCC-B
 EN 55022-B
 VCCI-II

ELECTRICAL SPECIFICATIONS

All specifications are typical at nominal input, full load.

INPUT SPECIFICATIONS

Input Voltage.....	AC 85-264V
	DC 110V-340V
Input Frequency.....	47 ~ 63 Hz
Input Current.....	0.17 ~ 0.36A
Inrush Current (100/230VAC cold start)	12 ~ 24A

OUTPUT SPECIFICATIONS

Output Voltage.....	See Chart				
Output Adjustment.....	± 10%				
Efficiency.....	70 ~ 79%				
Over-Voltage Protection.....	Zener Limiter				
Over-Current Protection.....	Automatic Recovery (105% min)				
Ripple and Noise.....	150 mVp-p max.				
Hold-Up Time.....	15-100 mS				
Line/Load Regulation.....	See Chart				
Rise Time.....	100 mS max.				
Leakage Current (100/230VAC).....	<table border="0" style="display: inline-table; vertical-align: middle;"> <tr> <td>Vin= 100V</td> <td>0.5mA max.</td> </tr> <tr> <td>Vin= 230V</td> <td>0.75mA max.</td> </tr> </table>	Vin= 100V	0.5mA max.	Vin= 230V	0.75mA max.
Vin= 100V	0.5mA max.				
Vin= 230V	0.75mA max.				

GENERAL SPECIFICATIONS

MTBF	211,000 Hours
Isolation Voltage	
Primary to Secondary.....	3000VAC
Primary to Case.....	1500VAC.
Secondary to Case.....	500VAC.
Isolation Resistance.....	100-Mohms min.

ENVIRONMENTAL SPECIFICATIONS

Operating Temperature	0°-60°C
	Derates linearly 2.5%/°C after 50°C
Cooling.....	Convection
Temperature Coefficient.....	0.02% / °C
Humidity.....	20-85% Rh (non-condensing)
Storage Temperature.....	-20°C -- 85°C
Shock Vibration.....	Shock: 20G (3 directions each 3 times)
	Vibration: 10 ~ 55Hz

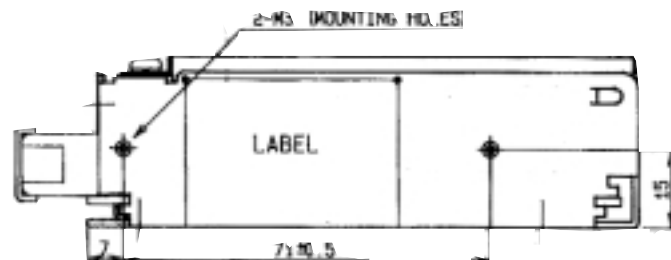
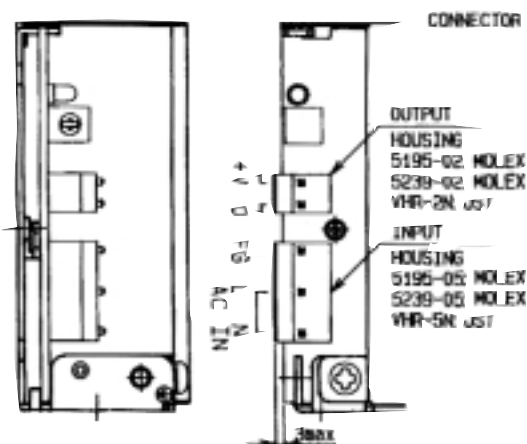
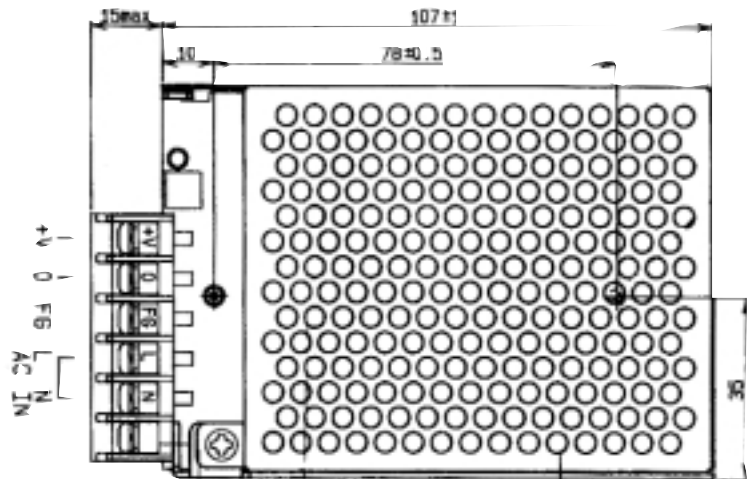
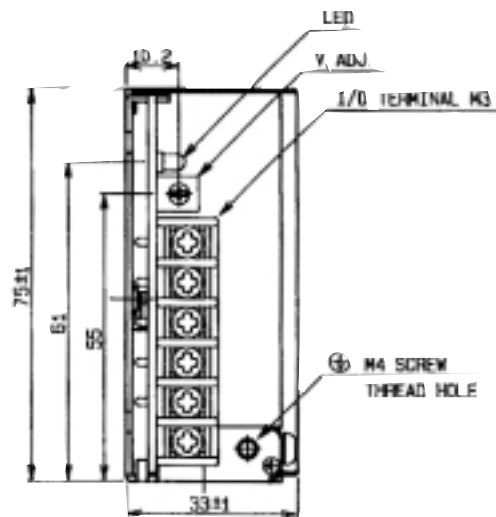
PHYSICAL SPECIFICATIONS

Metal Enclosed - Terminal Block

Series

MODEL	OUTPUT VOLTAGE	OUTPUT CURRENT		EFFICIENCY	LINE REGULATION	LOAD REGULATION
		@100V	@230V			
SP15U-03S	3.3 VDC	3.0 A	3.6 A	70%	20 mV max.	40 mV max.
SP15U-05S	5 VDC	3.0 A	3.6 A	73%	20 mV max.	50 mV max.
SP15U-12S	12 VDC	1.3 A	1.5 A	77%	30 mV max.	50 mV max.
SP15U-15S	15 VDC	1.0 A	1.2 A	77%	30 mV max.	50 mV max.
SP15U-24S	24 VDC	0.7 A	0.8 A	78%	30 mV max.	50 mV max.
SP15U-48S	48 VDC	0.35 A	0.4 A	79%	30 mV max.	50 mV max.

SP15U



NOTE:
 All specifications typical and nominal / full load and 25°C unless otherwise noted.
 Mounting screw length should not exceed 0.31 inches or 8 mm.
 Avoid sustained operation in overload or dead short conditions.
 Specifications subject to changes without notice.

- No. 6-32 mounting holes standard
- Dimensions in mm
- Terminal block or "pin" type connector available

