



Samsung LED COB Package – LC Series

Samsung's LC series delivers high luminance from a small LES, as well as low heat resistance and outstanding light efficacy.

The LC packages also feature high color uniformity with 3-step MacAdam ellipses and consistently superior light quality. The LC series can be used in a significantly wider range of applications, including downlight for home lighting, flood light for industrial lighting, and spotlight and downlight for commercial lighting.



To deliver a wide range of wattages from 6W to 40W



	LC006B	LC008B	LC013B	LC019B	LC026B	LC033B	LC040B
LES	8mm		11mm	12.4mm	17mm		
Typical	35.5V		36.5V		35.5V		
	6.4W (180mA)	8.6W (240mA)	12.8W (360mA)	19.2W (540mA)	25.6W (720mA)	32W (900mA)	38.3W (1080mA)
Max.	12.2W (330mA)	15.8W (420mA)	24.4W (660mA)	36.3W (980mA)	48.1W (1300mA)	59.9W (1620mA)	70.3W (1900mA)
Size	13.5 x 13.5 mm		17.0 x 17.0 mm		21.5 x 21.5 mm		

Standard Type

All Samsung COB LED components completed 6000 hours of LM-80 testing. Due to their small Light Emitting Surfaces (LES), COB LEDs are very easy to work with, and will enable easier and less expensive designs. It is a broad family for many applications.

Applications

Spotlights, Downlight, Flood lighting

High CRI Type

Provides greater than 90 high color rendering (>65 R9 value with vivid color) and 2-step MacAdam color consistency, suitable for all but the most demanding artwork, retail and hospitality applications. High CRI COB LEDs are the perfect solution enhancing aesthetic beauty of your product display.

Applications

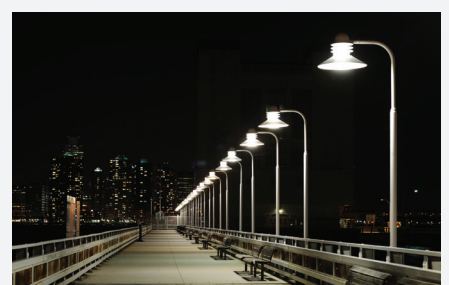
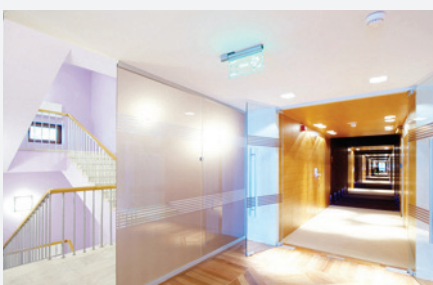
Spotlights, Downlight

High Flux Type

The industry-leading light efficacy of COB LEDs makes them particularly well-suited for use as the light source in flood lighting and outdoor lighting while reducing energy consumption.

Applications

Flood lighting, Parking lots, Outdoor lights



Product Selection Table

Product	CRI	CCT	Color Binning	If (mA)	Tc = 25°C		Voltage Typ. (V)	Input Power Typ. (W)	Tc = 85°C		Absolute Max. Rating		Part Number
					Luminous flux Typ. (lm)	Luminous efficacy Typ. (lm/W)			Luminous flux Typ. (lm)	Luminous efficacy Typ. (lm/W)	Power (W)	If max (mA)	
LC006B	90	2700K	MacAdam 3-Step	180	685	107	35.5	6.4	604	98	12.2	330	SPHWW1HDN827YHW3CF
		3000K			729	114			643	104			SPHWW1HDN827YHV3CF
		3500K			751	117			662	107			SPHWW1HDN827YHU3CF
		4000K			772	121			681	110			SPHWW1HDN827YHT3CF
		2700K			685	107			604	98			SPHWW1HDN827YHW2CF
		3000K			729	114			643	104			SPHWW1HDN827YHV2CF
	3500K	751	117		662	107			SPHWW1HDN827YHU2CF				
	4000K	772	121		681	110			SPHWW1HDN827YHT2CF				
	2700K	796	125		702	113			SPHWW1HDN825YHW3ED				
	3000K	847	133		747	121			SPHWW1HDN825YHV3ED				
	3500K	873	137		770	124			SPHWW1HDN825YHU3ED				
	4000K	898	141		792	128			SPHWW1HDN825YHT3ED				
80	5000K	907	142	800	129	SPHCW1HDN825YHR3ED							
	2700K	796	125	702	113	SPHWW1HDN825YHW2ED							
	3000K	847	133	747	121	SPHWW1HDN825YHV2ED							
	3500K	873	137	770	124	SPHWW1HDN825YHU2ED							
	4000K	898	141	792	128	SPHWW1HDN825YHT2ED							
	5000K	907	142	800	129	SPHCW1HDN825YHRT2ED							
70	3000K	901	141	795	128	SPHWW1HDN823YHVNGE							
	4000K	959	150	845	137	SPHWW1HDN823YHTNGE							
	5000K	965	151	851	137	SPHCW1HDN823YHRNGE							
	2700K	939	107	828	98	SPHWW1HDN947YHW3FG							
	3000K	999	114	881	104	SPHWW1HDN947YHV3FG							
	3500K	1029	117	908	107	SPHWW1HDN947YHU3FG							
LC008B	90	4000K	MacAdam 3-Step	240	1059	121	36.5	8.6	934	110	15.8	420	SPHWW1HDN947YHT3FG
		2700K			939	107			828	98			SPHWW1HDN947YHW2FG
		3000K			999	114			881	104			SPHWW1HDN947YHV2FG
		3500K			1029	117			908	107			SPHWW1HDN947YHU2FG
		4000K			1059	121			934	110			SPHWW1HDN947YHT2FG
		2700K			1092	125			963	113			SPHWW1HDN945YHW3KE
	3000K	1162	133		1025	121			SPHWW1HDN945YHV3KE				
	3500K	1196	137		1055	124			SPHWW1HDN945YHU3KE				
	4000K	1231	141		1086	128			SPHWW1HDN945YHT3KE				
	80	5000K	1244		142	1097			129	SPHCW1HDN945YHR3KE			
		2700K	1092		125	963			113	SPHWW1HDN945YHW2KE			
		3000K	1162		133	1025			121	SPHWW1HDN945YHV2KE			
3500K		1196	137	1055	124	SPHWW1HDN945YHU2KE							
4000K		1231	141	1086	128	SPHWW1HDN945YHT2KE							
5000K		1244	142	1097	129	SPHCW1HDN945YHRTKE							
70	3000K	1235	141	1089	128	SPHWW1HDN943YHVNMG							
	4000K	1305	149	1151	136	SPHWW1HDN943YHTNMG							
	5000K	1314	150	1159	137	SPHCW1HDN943YHRNMG							
	2700K	1405	110	1239	100	SPHWW1HDNA27YHW31F							
	3000K	1495	117	1318	106	SPHWW1HDNA27YHV31F							
	3500K	1540	120	1358	110	SPHWW1HDNA27YHU31F							
LC013B	90	4000K	MacAdam 3-Step	360	1586	124	35.5	12.8	1399	113	24.4	660	SPHWW1HDNA27YHT31F
		2700K			1405	110			1239	100			SPHWW1HDNA27YHW21F
		3000K			1495	117			1318	106			SPHWW1HDNA27YHV21F
		3500K			1540	120			1358	110			SPHWW1HDNA27YHU21F
		4000K			1586	124			1399	113			SPHWW1HDNA27YHT21F
		2700K			1405	110			1239	100			SPHWW1HDNA25YHW31F
	3000K	1634	128		1441	116			SPHWW1HDNA25YHV31F				
	3500K	1738	136		1533	124			SPHWW1HDNA25YHU31F				
	4000K	1842	144		1625	131			SPHWW1HDNA25YHT31F				
	80	5000K	1860		146	1640			132	SPHCW1HDNA25YHR31F			
		2700K	1634		128	1441			116	SPHWW1HDNA25YHW21F			
		3000K	1738		136	1533			124	SPHWW1HDNA25YHV21F			
3500K		1790	140	1579	127	SPHWW1HDNA25YHU21F							
4000K		1842	144	1625	131	SPHWW1HDNA25YHT21F							
5000K		1860	146	1640	132	SPHCW1HDNA25YHRT1F							
70	3000K	1840	144	1623	131	SPHWW1HDNA23YHVN1F							
	4000K	1955	153	1725	139	SPHWW1HDNA23YHTN1F							
	5000K	1968	154	1736	140	SPHCW1HDNA23YHRN1F							
	2700K	2065	108	1822	98	SPHWW1HDNB27YHW32J							
	3000K	2197	115	1938	104	SPHWW1HDNB27YHV32J							
	3500K	2263	118	1996	107	SPHWW1HDNB27YHU32J							
LC019B	90	4000K	MacAdam 3-Step	540	2329	121	35.5	19.2	2054	111	36.3	980	SPHWW1HDNB27YHT32J
		2700K			2065	108			1822	98			SPHWW1HDNB27YHW22J
		3000K			2197	115			1938	104			SPHWW1HDNB27YHV22J
		3500K			2263	118			1996	107			SPHWW1HDNB27YHU22J
		4000K			2329	121			2054	111			SPHWW1HDNB27YHT22J
		2700K			2402	125			2118	114			SPHWW1HDNB25YHW32J
	3000K	2555	133		2253	121			SPHWW1HDNB25YHV32J				
	3500K	2632	137		2321	125			SPHWW1HDNB25YHU32J				
	4000K	2708	141		2389	129			SPHWW1HDNB25YHT32J				
	80	5000K	2734		143	2411			130	SPHCW1HDNB25YHR32J			
		2700K	2402		125	2118			114	SPHWW1HDNB25YHW22J			
		3000K	2555		133	2253			121	SPHWW1HDNB25YHV22J			
3500K		2632	137	2321	125	SPHWW1HDNB25YHU22J							
4000K		2708	141	2389	129	SPHWW1HDNB25YHT22J							
5000K		2734	143	2411	130	SPHCW1HDNB25YHRT2J							
70	3000K	2703	141	2384	128	SPHWW1HDNB23YHVN2F							
	4000K	2876	150	2536	137	SPHWW1HDNB23YHTN2F							
	5000K	2895	151	2553	137	SPHCW1HDNB23YHRN2F							

Product	CRI	CCT	Color Binning	If (mA)	Tc = 25°C		Voltage Typ. (V)	Input Power Typ. (W)	Tc = 85°C		Absolute Max. Rating		Part Number
					Luminous flux Typ. (lm)	Luminous efficacy Typ. (lm/W)			Luminous flux Typ. (lm)	Luminous efficacy Typ. (lm/W)	Power (W)	If max (mA)	
LC026B	90	2700K	MacAdam 3-Step	720	2810	110	35.5	25.6	2479	100	48.1	1300	SPHWW1HDNC27YHW32F
		3000K			2989	117			2637	106			SPHWW1HDNC27YHV32F
		3500K			3079	120			2716	110			SPHWW1HDNC27YHU32F
		4000K			3169	124			2795	113			SPHWW1HDNC27YHT32F
		2700K			2810	110			2479	100			SPHWW1HDNC27YHW22F
		3000K			2989	117			2637	106			SPHWW1HDNC27YHV22F
		3500K	3079		120	2716			110	SPHWW1HDNC27YHU22F			
		4000K	3169		124	2795			113	SPHWW1HDNC27YHT22F			
		2700K	3268		128	2882			116	SPHWW1HDNC25YHW32F			
		3000K	3476		136	3066			124	SPHWW1HDNC25YHV32F			
		3500K	3580		140	3158			127	SPHWW1HDNC25YHU32F			
		4000K	3685		144	3250			131	SPHWW1HDNC25YHT32F			
	80	5000K	3719	146	3281	132	SPHCW1HDNC25YHR33F						
		2700K	3268	128	2882	116	SPHWW1HDNC25YHW22F						
		3000K	3476	136	3066	124	SPHWW1HDNC25YHV22F						
		3500K	3580	140	3158	127	SPHWW1HDNC25YHU22F						
		4000K	3685	144	3250	131	SPHWW1HDNC25YHT22F						
		5000K	3719	146	3281	132	SPHCW1HDNC25YHR33F						
	70	3000K	3685	144	3250	131	SPHWW1HDNC23YHVN3F						
		4000K	3832	150	3380	136	SPHWW1HDNC23YHTN3F						
		5000K	3869	151	3412	138	SPHCW1HDNC23YHRN3F						
		2700K	3460	108	3052	99	SPHWW1HDND27YHW33P						
		3000K	3681	115	3246	105	SPHWW1HDND27YHV33P						
		3500K	3791	119	3344	108	SPHWW1HDND27YHU33P						
LC033B	90	4000K	MacAdam 2-Step	900	3902	122	35.5	32	3441	111	59.9	1620	SPHWW1HDND27YHT33P
		2700K			3460	108			3052	99			SPHWW1HDND27YHW23P
		3000K			3681	115			3246	105			SPHWW1HDND27YHV23P
		3500K			3791	119			3344	108			SPHWW1HDND27YHU23P
		4000K			3902	122			3441	111			SPHWW1HDND27YHT23P
		2700K			4023	126			3548	115			SPHWW1HDND25YHW33P
	3000K	4280	134		3775	122			SPHWW1HDND25YHV33P				
	3500K	4408	138		3888	126			SPHWW1HDND25YHU33P				
	4000K	4537	142		4001	129			SPHWW1HDND25YHT33P				
	5000K	4580	143		4039	130			SPHCW1HDND25YHR33P				
	80	2700K	4023		126	3548			115	SPHWW1HDND25YHW23P			
		3000K	4280		134	3775			122	SPHWW1HDND25YHV23P			
3500K		4408	138	3888	126	SPHWW1HDND25YHU23P							
4000K		4537	142	4001	129	SPHWW1HDND25YHT23P							
5000K		4580	143	4039	130	SPHCW1HDND25YHR33P							
3000K		4537	142	4002	129	SPHWW1HDND23YHVN4P							
70	4000K	4729	148	4171	135	SPHWW1HDND23YHTN4P							
	5000K	4761	149	4199	136	SPHCW1HDND23YHRN4P							
	2700K	4110	107	3625	98	SPHWW1HDNE27YHW34J							
LC040B	90	3000K	MacAdam 3-Step	1080	4372	114	35.5	38.3	3856	104	70.3	1900	SPHWW1HDNE27YHV34J
		3500K			4503	117			3972	107			SPHWW1HDNE27YHU34J
		4000K			4634	121			4088	110			SPHWW1HDNE27YHT34J
		2700K			4110	107			3625	98			SPHWW1HDNE27YHW24J
		3000K			4372	114			3856	104			SPHWW1HDNE27YHV24J
		3500K			4503	117			3972	107			SPHWW1HDNE27YHU24J
	4000K	4634	121		4088	110			SPHWW1HDNE27YHT24J				
	2700K	4779	125		4215	113			SPHWW1HDNE25YHW34J				
	3000K	5084	133		4484	121			SPHWW1HDNE25YHV34J				
	3500K	5236	137		4619	124			SPHWW1HDNE25YHU34J				
	4000K	5389	141		4753	128			SPHWW1HDNE25YHT34J				
	5000K	5440	142		4798	129			SPHCW1HDNE25YHR34J				
80	2700K	4779	125	4215	113	SPHWW1HDNE25YHW24J							
	3000K	5084	133	4484	121	SPHWW1HDNE25YHV24J							
	3500K	5236	137	4619	124	SPHWW1HDNE25YHU24J							
	4000K	5389	141	4753	128	SPHWW1HDNE25YHT24J							
	5000K	5440	142	4798	129	SPHCW1HDNE25YHR4J							
	3000K	5389	141	4753	128	SPHWW1HDNE23YHVN4J							
70	4000K	5604	146	4943	133	SPHWW1HDNE23YHTN4J							
	5000K	5658	148	4991	134	SPHCW1HDNE23YHRN5J							

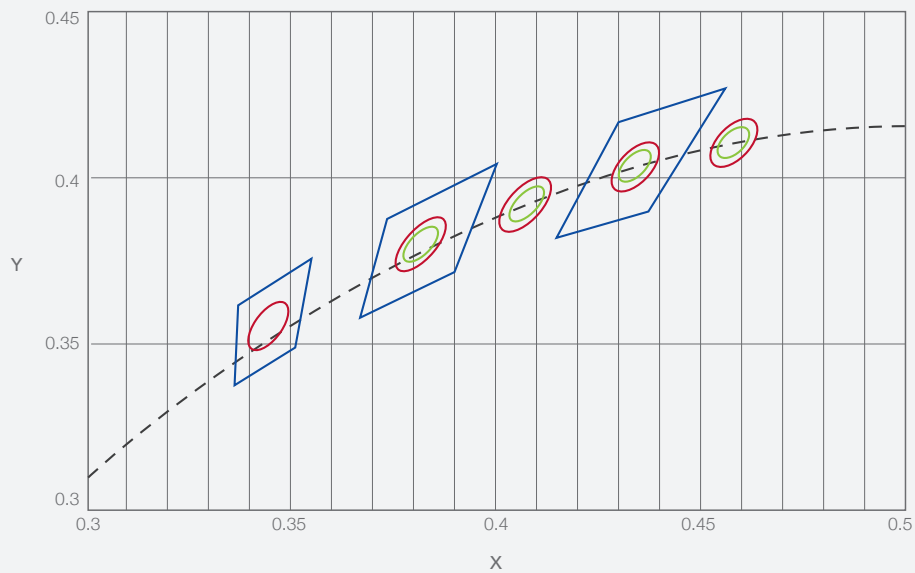
Smart Partner, Brilliant Solutions

Creating a new world with leading LED technology

Color Variations

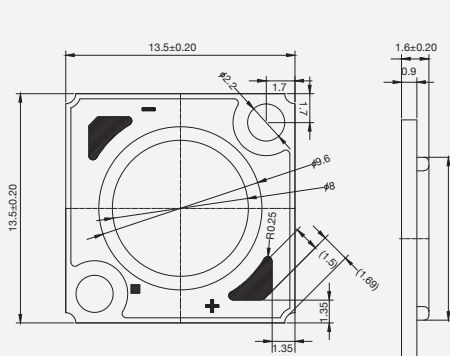
Product	Ra 80 Min.					Ra 90 Min.				Ra 70+		
	2700K	3000K	3500K	4000K	5000K	2700K	3000K	3500K	4000K	3000K	4000K	5000K
LC006B	o	o	o	o	o	o	o	o	o	o	o	o
LC008B	o	o	o	o	o	o	o	o	o	o	o	o
LC013B	o	o	o	o	o	o	o	o	o	o	o	o
LC019B	o	o	o	o	o	o	o	o	o	o	o	o
LC026B	o	o	o	o	o	o	o	o	o	o	o	o
LC033B	o	o	o	o	o	o	o	o	o	o	o	o
LC040B	o	o	o	o	o	o	o	o	o	o	o	o

Chromaticity Coordinates

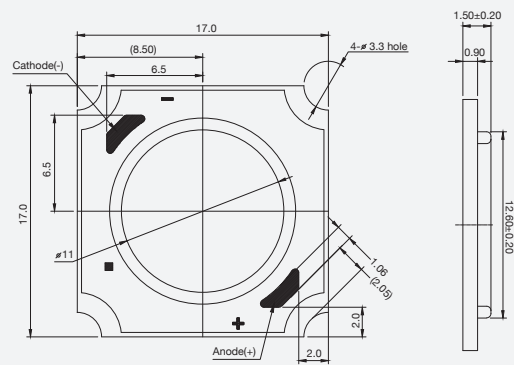


	Ra 80 Min.					Ra 90 Min.				Ra 70+		
	2700K	3000K	3500K	4000K	5000K	2700K	3000K	3500K	4000K	3000K	4000K	5000K
MacAdam 3-Step	o	o	o	o	o	o	o	o	o			
MacAdam 2-Step	o	o	o	o		o	o	o	o			
MacAdam 7-Step (ANSI)					o					o	o	o

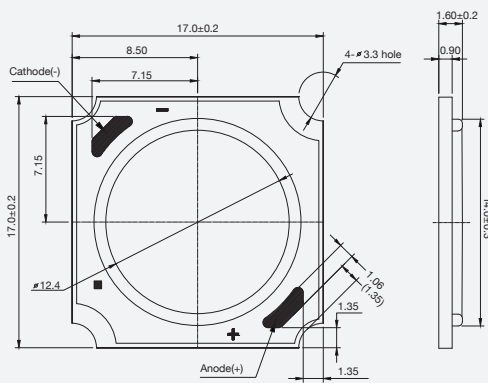
Product Dimensions



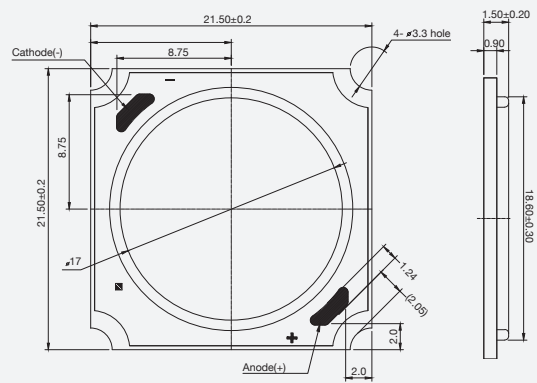
LC006B / LC008B



LC013B



LC019B



LC026B / LC033B / LC040B

Solution

Samsung's partner network is designed to provide customers with diverse lighting application solutions all around the world. More information about Samsung eco solution partners can be found at <http://www.samsung.com/global/business/led/support/partner-network/partners>



Optic



Thermal



Power



Holder

Samsung Electronics Co., Ltd.
416, Maetan 3-dong, Yeongtong-gu Suwon-si, Gyeonggi-do 443-772, Korea

www.samsungled.com

