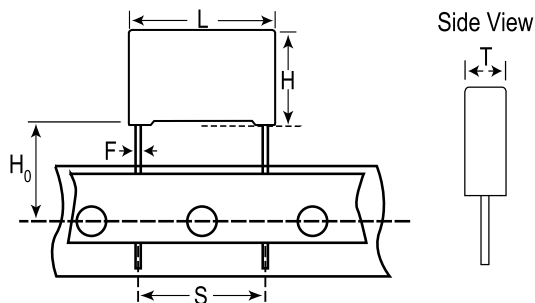


Film, Film/Foil Polypropylene, Commercial Grade, KEMET, R73, 4700 pF, 5%, 1,600 V, 85C, Lead Spacing = 15mm



General Information	
<b>Dielectric:</b>	Film/Foil Polypropylene
<b>Style:</b>	Radial
<b>Supplier:</b>	KEMET
<b>Series:</b>	R73
<b>Features:</b>	Pulse
<b>RoHS:</b>	Yes
<b>Lead:</b>	Wire Leads
<b>AEC-Q200:</b>	Yes
<b>Miscellaneous:</b>	Above 85C DC And AC Voltage Derating Is 1.25%/C

Dimensions	
<b>L</b>	18mm +0.5mm
<b>H</b>	14.5mm +0.1mm
<b>T</b>	8.5mm +0.2mm
<b>S</b>	15mm +/-0.4mm
<b>H0</b>	18mm +/-0.5mm
<b>F</b>	0.8mm +/-0.05mm

Specifications	
<b>Capacitance:</b>	4700 pF
<b>Capacitance Tolerance:</b>	5%
<b>Voltage DC:</b>	1600 VDC
<b>Voltage AC:</b>	450 VAC
<b>Temperature Range:</b>	-55/+105C
<b>Rated Temperature:</b>	85C
<b>Dissipation Factor:</b>	0.03% 1kHz, 0.04% 10kHz, 0.1% 100kHz
<b>Insulation Resistance:</b>	100 GOhms
<b>Max dVdt:</b>	34,000 V
<b>Inductance:</b>	10 nH

Packaging Specifications	
<b>Packaging:</b>	T&R, Large
<b>Packaging Quantity:</b>	700