

Metal Oxide Resistors, Special Purpose, High Voltage



The ROX is an excellent choice for high voltage systems with the advantage of high wattage and space saving dimensions.

FEATURES

- Low TCR: ± 200 ppm/ $^{\circ}\text{C}$ standard; ± 100 ppm/ $^{\circ}\text{C}$, ± 50 ppm/ $^{\circ}\text{C}$ available; non-inductive only available with TC of ± 200 ppm/ $^{\circ}\text{C}$
- Tolerance: $\pm 1\%$; $\pm 2\%$; $\pm 5\%$; $\pm 10\%$
- High Voltage (up to 45 kV)
- For oil bath or open air operation
- Standard ROX product is coated; optional uncoated version of the ROX product is available on request
- Matched sets available
- Special testing available upon request
- Applications: HV power supplies; laboratory equipment; power control; aeronautical
- Material categorization: for definitions of compliance please see www.vishay.com/doc?99912



RoHS*
Available

Note

* This datasheet provides information about parts that are RoHS-compliant and/or parts that are non-RoHS-compliant. For example, parts with lead (Pb) terminations are not RoHS-compliant. Please see the information / tables in this datasheet for details.

STANDARD ELECTRICAL SPECIFICATIONS								
GLOBAL MODEL	HISTORICAL MODEL	POWER RATING			MAXIMUM WORKING VOLTAGE ⁽¹⁾ V	RESISTANCE RANGE ⁽²⁾ Ω	TOLERANCE $\pm \%$	TEMPERATURE COEFFICIENT ⁽³⁾ \pm ppm/ $^{\circ}\text{C}$
		$P_{25^{\circ}\text{C}}$ W	$P_{70^{\circ}\text{C}}$ W	$P_{125^{\circ}\text{C}}$ W				
ROX050	ROX-1/2	2	1.4	1	2K	1M to 100M	1, 2, 5, 10	50
						1k to 100M	1, 2, 5, 10	100
						100 to 1G	1, 2, 5, 10	200
ROX050..P	ROX-1/2P	2.8	1.96	1.4	2K	1M to 100M	1, 2, 5, 10	50
						1k to 100M	1, 2, 5, 10	100
						100 to 1G	1, 2, 5, 10	200
ROX075	ROX-3/4	3	2.16	1.5	5K	1M to 100M	1, 2, 5, 10	50
						1k to 500M	1, 2, 5, 10	100
						100 to 3G	1, 2, 5, 10	200
ROX075..N	ROX-3/4N	3	2.16	1.5	5K	100 to 1M	1, 2, 5, 10	200
ROX075..P	ROX-3/4P	4.2	3.02	2.1	5K	1M to 100M	1, 2, 5, 10	50
						1k to 500M	1, 2, 5, 10	100
						100 to 3G	1, 2, 5, 10	200
ROX075..NP	ROX-3/4NP	4.2	3.02	2.1	5K	100 to 1M	1, 2, 5, 10	200
ROX100	ROX-1	4	2.88	2	7.5K	1M to 100M	1, 2, 5, 10	50
						1k to 500M	1, 2, 5, 10	100
						150 to 3G	1, 2, 5, 10	200
ROX100..N	ROX-1N	4	2.88	2	7.5K	100 to 1M	1, 2, 5, 10	200
ROX100..P	ROX-1P	5.6	4.03	2.8	7.5K	1M to 100M	1, 2, 5, 10	50
						1k to 500M	1, 2, 5, 10	100
						150 to 3G	1, 2, 5, 10	200
ROX100..NP	ROX-1NP	5.6	4.03	2.8	7.5K	100 to 1M	1, 2, 5, 10	200
ROX150	ROX-1-1/2	5	3.6	2.5	11K	1M to 100M	1, 2, 5, 10	50
						1k to 500M	1, 2, 5, 10	100
						200 to 3G	1, 2, 5, 10	200
ROX150..N	ROX-1-1/2N	5	3.6	2.5	11K	100 to 1M	1, 2, 5, 10	200



STANDARD ELECTRICAL SPECIFICATIONS								
GLOBAL MODEL	HISTORICAL MODEL	POWER RATING			MAXIMUM WORKING VOLTAGE (1) V	RESISTANCE RANGE (2) Ω	TOLERANCE ± %	TEMPERATURE COEFFICIENT (3) ± ppm/°C
		P _{25 °C} W	P _{70 °C} W	P _{125 °C} W				
ROX150..P	ROX-1-1/2P	7	5.04	3.5	11K	1M to 100M	1, 2, 5, 10	50
						1k to 500M	1, 2, 5, 10	100
						200 to 3G	1, 2, 5, 10	200
ROX150..NP	ROX-1-1/2NP	7	5.04	3.5	11K	100 to 1M	1, 2, 5, 10	200
ROX200	ROX-2	6	4.32	3	15K	1M to 500M	1, 2, 5, 10	50
						1k to 1G	1, 2, 5, 10	100
						205 to 3G	1, 2, 5, 10	200
ROX200..N	ROX-2N	6	4.32	3	15K	100 to 1M	1, 2, 5, 10	200
ROX200..P	ROX-2P	8.4	6.05	4.2	15K	1M to 500M	1, 2, 5, 10	50
						1k to 1G	1, 2, 5, 10	100
						205 to 3G	1, 2, 5, 10	200
ROX200..NP	ROX-2NP	8.4	6.05	4.2	15K	100 to 1M	1, 2, 5, 10	200
ROX300	ROX-3	10	7.2	5	22.5K	1M to 500M	1, 2, 5, 10	50
						1k to 1G	1, 2, 5, 10	100
						330 to 3G	1, 2, 5, 10	200
ROX300..N	ROX-3N	10	7.2	5	22.5K	400 to 10M	1, 2, 5, 10	200
ROX300..P	ROX-3P	14	10.1	7	22.5K	1M to 500M	1, 2, 5, 10	50
						1k to 1G	1, 2, 5, 10	100
						330 to 3G	1, 2, 5, 10	200
ROX300..NP	ROX-3NP	14	10.1	7	22.5K	400 to 10M	1, 2, 5, 10	200
ROX400	ROX-4	12	8.64	6	30K	1M to 500M	1, 2, 5, 10	50
						1k to 1G	1, 2, 5, 10	100
						600 to 3G	1, 2, 5, 10	200
ROX400..N	ROX-4N	12	8.64	6	30K	500 to 10M	1, 2, 5, 10	200
ROX400..P	ROX-4P	16.8	12.1	8.4	30K	1M to 500M	1, 2, 5, 10	50
						1k to 1G	1, 2, 5, 10	100
						600 to 3G	1, 2, 5, 10	200
ROX400..NP	ROX-4NP	16.8	12.1	8.4	30K	500 to 10M	1, 2, 5, 10	200
ROX500	ROX-5	16	11.5	8	37.5K	1M to 500M	1, 2, 5, 10	50
						1k to 1G	1, 2, 5, 10	100
						750 to 3G	1, 2, 5, 10	200
ROX500..N	ROX-5N	16	11.5	8	37.5K	500 to 10M	1, 2, 5, 10	200
ROX500..P	ROX-5P	22.4	16.1	11.2	37.5K	1M to 500M	1, 2, 5, 10	50
						1k to 1G	1, 2, 5, 10	100
						750 to 3G	1, 2, 5, 10	200
ROX500..NP	ROX-5NP	22.4	16.1	11.2	37.5K	500 to 10M	1, 2, 5, 10	200
ROX600	ROX-6	20	14.4	10	45K	1M to 500M	1, 2, 5, 10	50
						1k to 1G	1, 2, 5, 10	100
						850 to 3G	1, 2, 5, 10	200
ROX600..N	ROX-6N	20	14.4	10	45K	500 to 10M	1, 2, 5, 10	200
ROX600..P	ROX-6P	28	20.2	14	45K	1M to 500M	1, 2, 5, 10	50
						1k to 1G	1, 2, 5, 10	100
						850 to 3G	1, 2, 5, 10	200
ROX600..NP	ROX-6NP	28	20.2	14	45K	500 to 10M	1, 2, 5, 10	200

Notes

- Resistance values of 1 kΩ and below are calibrated at 1 V_{DC}, values above 1 kΩ up to 100 kΩ are calibrated at 10 V_{DC}, and values above 100 kΩ are calibrated at 100 V_{DC}. Calibration at other voltages available.
 - ± 1 % not available above 1 GΩ
 - Part marking: Print marked - Dale, model, value, tolerance, temperature coefficient, date code
- (1) Continuous working voltage shall be $\sqrt{P \times R}$ or maximum working voltage, whichever is less.
(2) For resistance values above and below those listed please contact us
(3) Typical TCR results

GLOBAL PART NUMBER INFORMATION

New Global Part Numbering: ROX300100MGNF5 (preferred part numbering format)

R O X 3 0 0 1 0 0 M G N F 5

GLOBAL MODEL (See Electrical Specifications table)	RESISTANCE VALUE	TOLERANCE CODE	TEMP. COEFFICIENT	PACKAGING (1)	CONSTRUCTION	SPECIAL
	R = Ω K = kΩ M = MΩ G = GΩ 910R = 910 Ω 10M0 = 10 MΩ 1G00 = 1.0 GΩ	F = ± 1 % G = ± 2 % J = ± 5 % K = ± 10 %	H = 50 ppm K = 100 ppm N = 200 ppm	EL = Lead (Pb)-free, lacer (all, except 3, 4, 5, 6) EE = Lead (Pb)-free, T/R (1/2, 3/4, 1 only) EM = Lead (Pb)-free, foam (3, 4, 5, 6 only) LB = Tin/lead, lacer (all, except 3, 4, 5, 6) RF = Tin/lead, T/R (1/2, 3/4, 1 only) F5 = Tin/lead, foam (3, 4, 5, 6 only)	(Up to 2 digits) Blank = Standard N = Non-inductive P = 0.040 Ø leads S = Solid body, axial T = Threaded terminals U = Uncoated Y = One end axial, one threaded terminal	Blank = Standard (Dash number) (Up to 3 digits) From 1 to 999 as applicable

Historical Part Number example: ROX-3100MGN (will continue to be accepted)

ROX-3		100M	G	N	F05
HISTORICAL MODEL	CONSTRUCTION	RESISTANCE VALUE	TOLERANCE CODE	TEMP. COEFFICIENT	PACKAGING

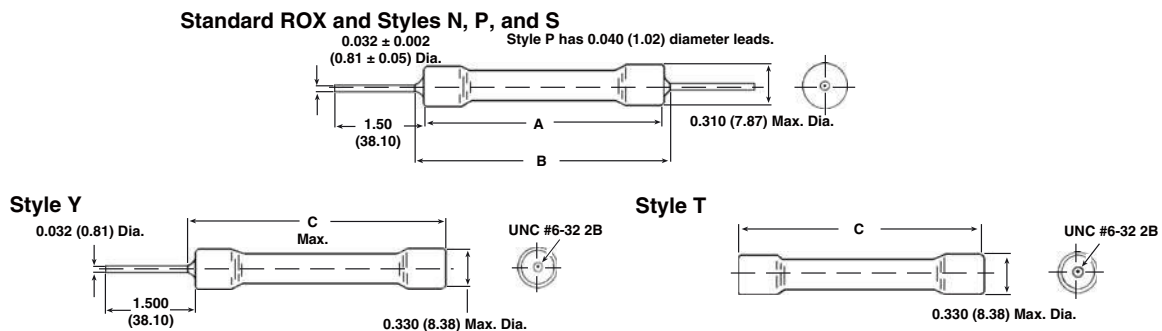
Notes

- (1) Some packaging codes are model specific.
- For additional information on packaging, refer to the Through-Hole Resistor Packaging document (www.vishay.com/doc?31544).

TECHNICAL SPECIFICATIONS

PARAMETER	UNIT	ROX050	ROX075	ROX100	ROX150	ROX200	ROX300	ROX400	ROX500	ROX600
Insulation Resistance	Ω	≥ 10 ¹¹								
Category Temperature Range	°C	Epoxy coated = -55 / +180; Silicone coated = -55 / +230								

DIMENSIONS in inches (millimeters)



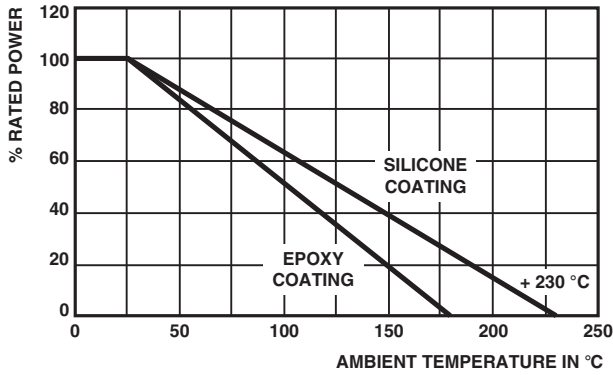
GLOBAL MODEL	STANDARD ROX AND STYLES N, P, S		STYLE T	STYLE Y
	A	B	C	C MAX.
ROX050	0.550 ± 0.032 (13.97 ± 0.81)	0.700 (17.78)	N/A	N/A
ROX075	0.800 ± 0.032 (20.32 ± 0.81)	0.900 (22.86)	1.168 ± 0.022 (29.66 ± 0.56)	1.050 (26.67)
ROX100	0.920 ± 0.032 (23.37 ± 0.81)	1.020 (25.91)	1.288 ± 0.022 (32.72 ± 0.56)	1.170 (29.72)
ROX150	1.550 ± 0.032 (39.37 ± 0.81)	1.650 (41.91)	1.918 ± 0.022 (48.72 ± 0.56)	1.800 (45.72)
ROX200	2.050 ± 0.032 (52.07 ± 0.81)	2.150 (54.61)	2.418 ± 0.022 (61.42 ± 0.56)	2.300 (58.42)
ROX300	3.050 ± 0.032 (77.47 ± 0.81)	3.150 (80.01)	3.418 ± 0.022 (86.82 ± 0.56)	3.300 (83.82)
ROX400	4.050 ± 0.032 (102.87 ± 0.81)	4.150 (105.41)	4.418 ± 0.022 (112.22 ± 0.56)	4.300 (109.22)
ROX500	5.050 ± 0.032 (128.27 ± 0.81)	5.150 (130.81)	5.418 ± 0.022 (137.62 ± 0.56)	5.300 (134.62)
ROX600	6.050 ± 0.032 (153.67 ± 0.81)	6.150 (156.21)	6.418 ± 0.022 (163.02 ± 0.56)	6.300 (160.02)

Note

- All dimensions given are for the standard coated version of the ROX parts.



DERATING



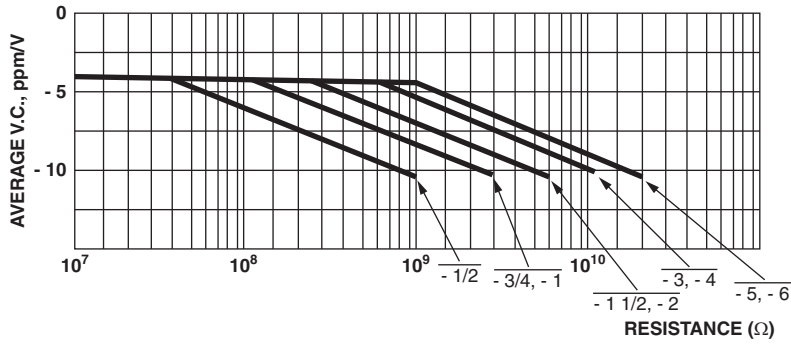
MECHANICAL SPECIFICATIONS

Terminal Strength	10 pound pull test
Solderability	Continuous satisfactory coverage when tested in accordance with MIL-STD-202, Method 208

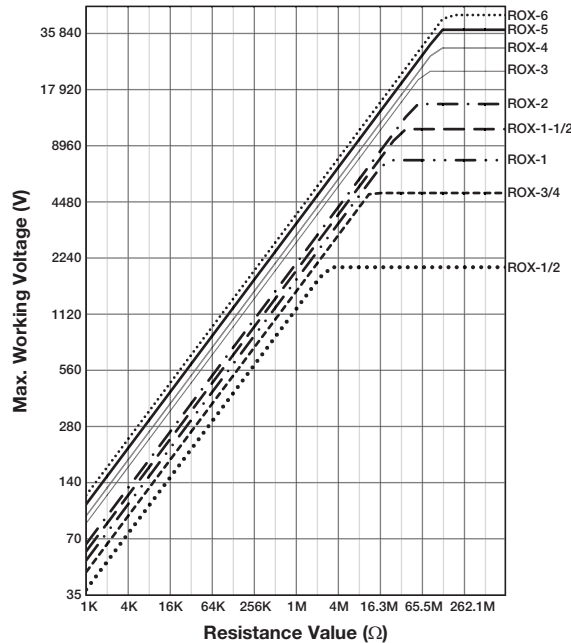
MATERIAL SPECIFICATIONS

Element	High temperature fired cermet film
Core	High purity 96 % alumina, tubular or solid
Coating	Blue flame-retardant epoxy on ROX050 thru ROX200. Black flameproof silicone on ROX300 thru ROX600
Termination	Standard lead material is solder-coated copper; solderable and weldable. 0.032" (0.813 mm) style P 0.040" (1.02 mm) available

VOLTAGE COEFFICIENT



ROX MAXIMUM WORKING VOLTAGE





Disclaimer

ALL PRODUCT, PRODUCT SPECIFICATIONS AND DATA ARE SUBJECT TO CHANGE WITHOUT NOTICE TO IMPROVE RELIABILITY, FUNCTION OR DESIGN OR OTHERWISE.

Vishay Intertechnology, Inc., its affiliates, agents, and employees, and all persons acting on its or their behalf (collectively, "Vishay"), disclaim any and all liability for any errors, inaccuracies or incompleteness contained in any datasheet or in any other disclosure relating to any product.

Vishay makes no warranty, representation or guarantee regarding the suitability of the products for any particular purpose or the continuing production of any product. To the maximum extent permitted by applicable law, Vishay disclaims (i) any and all liability arising out of the application or use of any product, (ii) any and all liability, including without limitation special, consequential or incidental damages, and (iii) any and all implied warranties, including warranties of fitness for particular purpose, non-infringement and merchantability.

Statements regarding the suitability of products for certain types of applications are based on Vishay's knowledge of typical requirements that are often placed on Vishay products in generic applications. Such statements are not binding statements about the suitability of products for a particular application. It is the customer's responsibility to validate that a particular product with the properties described in the product specification is suitable for use in a particular application. Parameters provided in datasheets and/or specifications may vary in different applications and performance may vary over time. All operating parameters, including typical parameters, must be validated for each customer application by the customer's technical experts. Product specifications do not expand or otherwise modify Vishay's terms and conditions of purchase, including but not limited to the warranty expressed therein.

Except as expressly indicated in writing, Vishay products are not designed for use in medical, life-saving, or life-sustaining applications or for any other application in which the failure of the Vishay product could result in personal injury or death. Customers using or selling Vishay products not expressly indicated for use in such applications do so at their own risk. Please contact authorized Vishay personnel to obtain written terms and conditions regarding products designed for such applications.

No license, express or implied, by estoppel or otherwise, to any intellectual property rights is granted by this document or by any conduct of Vishay. Product names and markings noted herein may be trademarks of their respective owners.

Material Category Policy

Vishay Intertechnology, Inc. hereby certifies that all its products that are identified as RoHS-Compliant fulfill the definitions and restrictions defined under Directive 2011/65/EU of The European Parliament and of the Council of June 8, 2011 on the restriction of the use of certain hazardous substances in electrical and electronic equipment (EEE) - recast, unless otherwise specified as non-compliant.

Please note that some Vishay documentation may still make reference to RoHS Directive 2002/95/EC. We confirm that all the products identified as being compliant to Directive 2002/95/EC conform to Directive 2011/65/EU.

Vishay Intertechnology, Inc. hereby certifies that all its products that are identified as Halogen-Free follow Halogen-Free requirements as per JEDEC JS709A standards. Please note that some Vishay documentation may still make reference to the IEC 61249-2-21 definition. We confirm that all the products identified as being compliant to IEC 61249-2-21 conform to JEDEC JS709A standards.