



- Features
- 3 stage charging
- AC 115/230VAC selected by switch
- Built-in passive PFC function compliance to EN61000-3-2 Class A (option)
- Protection: Overload / Short circuit / Reverse polarity / Over voltage / Over temperature
- Cooling by free air convection
- Charger for lead-acid batteries
- 2 color LED loading indicator
- Low cost, High reliability
- 2 years warranty



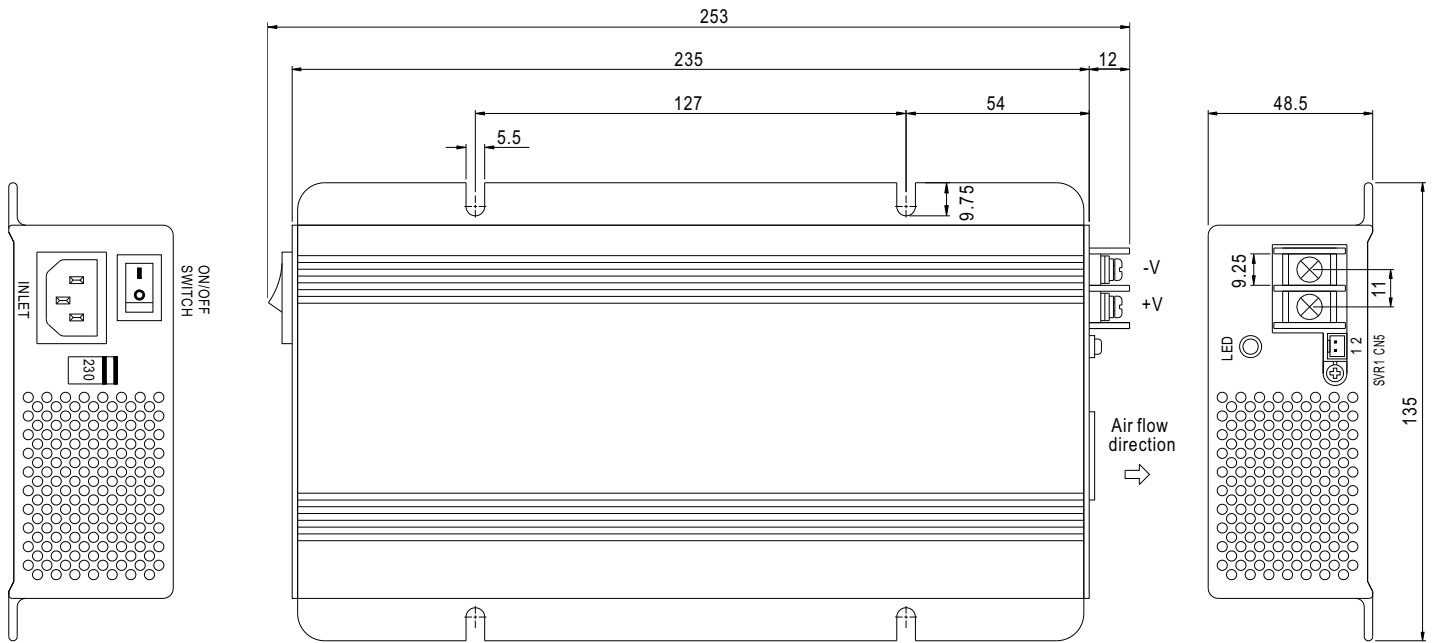
<p><b>PB - 300/360 P - 12</b></p> <p>1.300W without FAN 2.360W with FAN</p> <p>P:With Passive PFC N:Without Passive PFC</p>	<p>12:14.4V 24:28.8V 48:57.6V</p>
-------------------------------------------------------------------------------------------------------------------------------------	-------------------------------------------

**SPECIFICATION**

MODEL	PB-300□-12	PB-300□-24	PB-300□-48	
OUTPUT	<b>BOOST CHARGE VOLTAGE</b>	14.4V	28.8V	57.6V
	<b>FLOAT CHARGE VOLTAGE</b>	13.6V	27.2V	54.4V
	<b>VOLTAGE ADJUSTABLE RANGE</b>	13 ~ 14.7V	26 ~ 28.8V	52 ~ 58.6V
	<b>RECOMMENDED BATTERY CAPACITY (AMP HOURS)(Note 5)</b>	80 ~ 200Ah	40 ~ 125Ah	20 ~ 65Ah
	<b>BATTERY TYPE</b>	Open & Sealed Lead Acid		
	<b>OUTPUT CURRENT(max.)</b>	20.85A	10.5A	5.3A
	<b>CONTINUOUS OUTPUT CURRENT (Typ.) (Note 6)</b>	12.5A	6.25A	3.2A
INPUT	<b>VOLTAGE RANGE</b>	90 ~ 132VAC / 180 ~ 264VAC selected by switch		248 ~ 370VDC
	<b>FREQUENCY RANGE</b>	47 ~ 63Hz		
	<b>EFFICIENCY (Typ.)</b>	85%	86%	88%
	<b>POWER FACTOR (Typ.)</b>	>0.65 (with P type) at 230VAC		
	<b>AC CURRENT (Typ.)</b>	6A/115VAC	3A/230VAC	
	<b>INRUSH CURRENT (Typ.)</b>	COLD START 60A		
	<b>LEAKAGE CURRENT</b>	<3.5mA / 240VAC		
PROTECTION	<b>OVERLOAD</b>	90 ~ 110% rated output current Protection type : Constant current limiting, recovers automatically after fault condition is removed		
	<b>SHORT CIRCUIT</b>	O/P Built in fuse (FS100) to protect short circuit condition, shut down o/p voltage and can not re-power on		
	<b>REVERSE POLARITY</b>	By internal fuse		
	<b>OVER VOLTAGE</b>	16 ~ 18V	31 ~ 35V	59 ~ 64V
	<b>OVER TEMPERATURE</b>	Protection type : Automatically derate charge current until zero		
FUNCTION	<b>REMOTE CONTROL (CN5)</b>	Open: Normal work    Short: Stop Charging		
ENVIRONMENT	<b>WORKING TEMP.</b>	-10 ~ +50°C (Refer to output load derating curve)		
	<b>WORKING HUMIDITY</b>	20 ~ 90% RH non-condensing		
	<b>STORAGE TEMP., HUMIDITY</b>	-40 ~ +85°C, 10 ~ 95% RH		
	<b>TEMP. COEFFICIENT</b>	±0.05%/°C (0 ~ 45°C)		
	<b>VIBRATION</b>	10 ~ 500Hz, 2G 10min./1cycle, 60min. each along X, Y, Z axes		
SAFETY & EMC (Note 4)	<b>SAFETY STANDARDS</b>	IEC60335-2-29 CB approved by TUV(except for 48V), UL60950-1 approved		
	<b>WITHSTAND VOLTAGE</b>	I/P-O/P:3KVAC	I/P-FG:1.5KVAC	O/P-FG:0.5KVAC
	<b>ISOLATION RESISTANCE</b>	I/P-O/P, I/P-FG, O/P-FG:100M Ohms / 500VDC / 25°C / 70% RH		
	<b>EMI CONDUCTION &amp; RADIATION</b>	Compliance to EN55022 (CISPR22) Class B		
	<b>HARMONIC CURRENT</b>	Compliance to EN61000-3-2,-3 (only P type)		
	<b>EMS IMMUNITY</b>	Compliance to EN61000-4-2,3,4,5,6,8,11; ENV50204, EN55024, light industry level, criteria A		
OTHERS	<b>MTBF</b>	115.8Khrs min.    MIL-HDBK-217F (25°C)		
	<b>DIMENSION</b>	253*135*48.5mm(L*W*H)		
	<b>PACKING</b>	1.45Kg; 6pcs/9.7Kg/0.95CUFT		
NOTE	<p>1. All parameters NOT specially mentioned are measured at 230VAC input, rated load and 25°C of ambient temperature.</p> <p>2. Ripple &amp; noise are measured at 20MHz of bandwidth by using a 12" twisted pair-wire terminated with a 0.1uf &amp; 47uf parallel capacitor.</p> <p>3. Tolerance : includes set up tolerance, line regulation and load regulation.</p> <p>4. The power supply is considered a component which will be installed into a final equipment. The final equipment must be re-confirmed that it still meets EMC directives.</p> <p>5. This is Mean Well's suggested range. Please consult your battery manufacturer for their suggestions about maximum charging current limitation.</p> <p>6. Test condition is at 25°C, charging current will change under different temperature.</p>			

**Mechanical Specification**

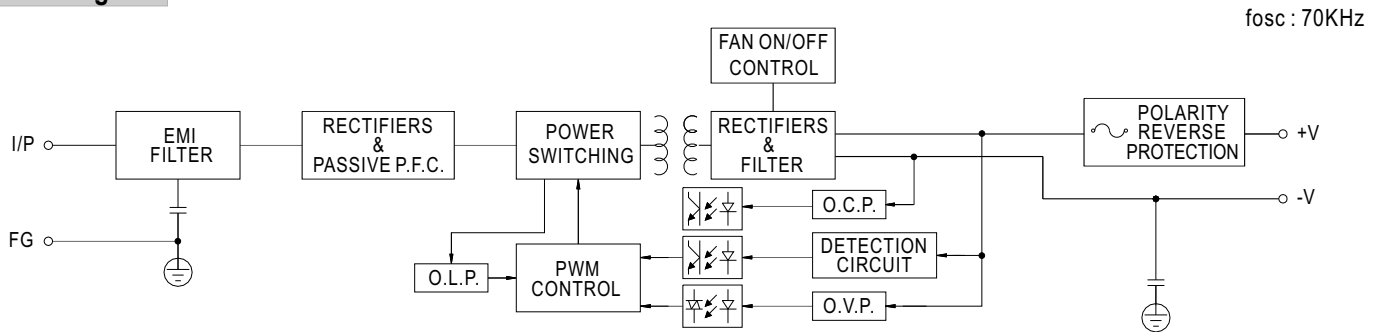
Case No.801B Unit:mm



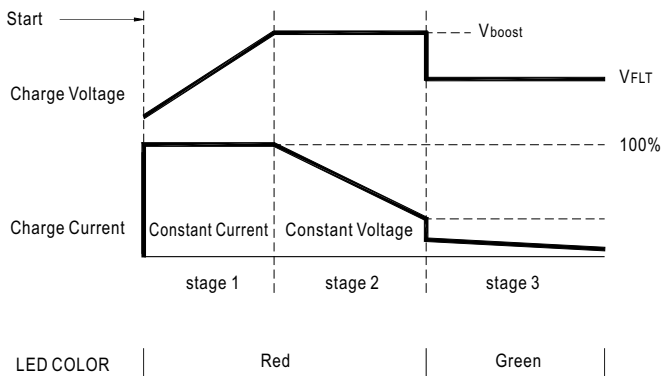
Remote Control(CN5) : JST B2B-XH or equivalent

Assignment	Mating Housing	Terminal
PIN1,2 Open: Normal work	JST XHP or equivalent	JST SXH-001T-P0.6 or equivalent
PIN1,2 Short: Stop Charging		

**Block Diagram**



**Charging Curve**



State	PB-300-12	PB-300-24	PB-300-48
Vboost	14.4V	28.8V	57.6V
VFLT	13.6V	27.2V	54.4V

**Output Load VS Temperature**

