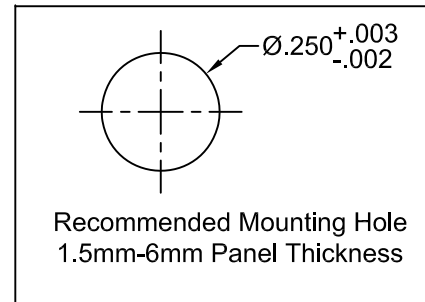
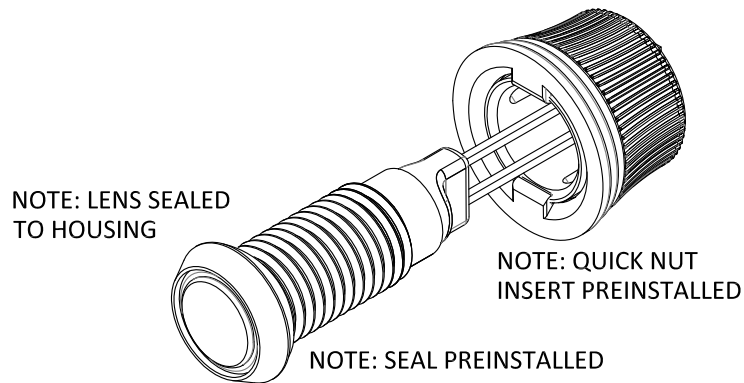
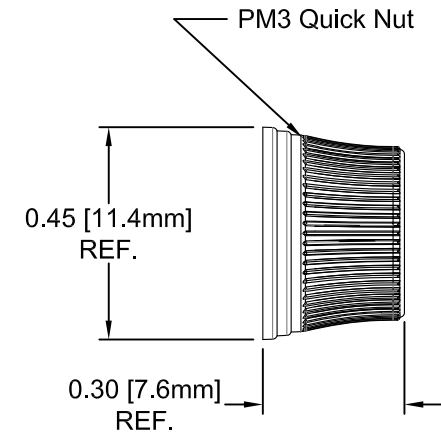
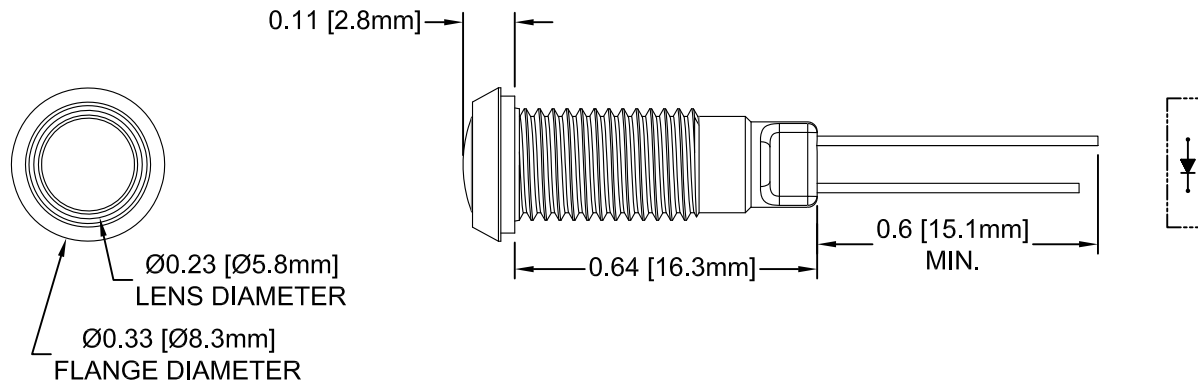


REV.	DESCRIPTION	DATE	APPROVED
A	Engineering Release	03/17/14	J. C.
B	Updated Lead Dimension	09/19/14	J. C.



EXAMPLE:  
PM3-KNGD  
LED Color  
Series

- NOTES:
1. ROHS COMPLIANT
  2. MOUNTING HARDWARE SHIPPED NON-ASSEMBLED

STANDARD TOLERANCE (UNLESS OTHERWISE SPECIFIED)		 4 THOMAS, IRVINE, CA. 92618 TEL: (949) 951-8808 FAX: (949) 951-3974	
DECIMALS	ANGULAR		
.X ± .1	X° ± 1°	 TITLE: Quick-Mount Panel Mount Indicator	
.XX ± .02			
.XXX ± .010			
DESIGNED: <b>Brian Oliver</b>	DATE: <b>03/17/14</b>	PART NO: <b>PM3-KNXXX</b>	REVISION: <b>B</b>
CHECKED: <b>T. Yin</b>	DATE: <b>03/17/14</b>	CAGE CODE : <b>32559</b>	SHEET # <b>1 OF 2</b>
CAD GENERATED DOCUMENT, DO NOT MEASURE DRAWING.			



REV.	DESCRIPTION	DATE	APPROVED
	SEE SHEET #1		

Assembly Part Number	LED Part Number	Peak Wave Length $\lambda_p$ (nm)	Emitted Color	Electro-Optical Data @ 20mA		Viewing Angle
				Typ Vf (VDC)	Assembly Iv (mcd)	
				TYP	TYP	
PM3-KNAD	3SAD-S	610	AMBER	2.0	45	120
PM3-KNBWD	3BWD0.245S	470	BLUE	4.0	90	120
PM3-KNGD	3SGD-S	568	GREEN	2.1	14	120
PM3-KNRD	3SRD-S	645	RED	1.7	18	120
PM3-KNYD	3SYD-S	585	YELLOW	2.1	14	120

Assembly Part Number	LED Part Number	Color Temperature	Emitted Color	Electro-Optical Data @ 20mA		Viewing Angle
				Vf (VDC)	Assembly Iv (mcd)	
				TYP	TYP	
PM3-KNWD	3UWD2.555N	5000K	NEUTRAL WHITE	3.2	1125	120

## ABSOLUTE MAXIMUM RATINGS (Ta = 25°C)

MAXIMUM REVERSE VOLTAGE \_\_\_\_\_ 5V  
 MAXIMUM POWER DISSIPATION \_\_\_\_\_ 150 mW  
 OPERATING TEMPERATURE RANGE \_\_\_\_\_ -30°C ~ 85°C  
 STORAGE TEMPERATURE \_\_\_\_\_ -40°C ~ 85°C

STANDARD TOLERANCE ( UNLESS OTHERWISE SPECIFIED )		 4 THOMAS, IRVINE, CA. 92618 TEL: (949) 951-8808 FAX: (949) 951-3974	
DECIMALS	ANGULAR		
		TITLE: Quick-Mount Panel Mount Indicator	
		DESIGNED: <b>Brian Oliver</b>	DATE: <b>03/17/14</b>
CHECKED: <b>T. Yin</b>		DATE: <b>03/17/14</b>	CAGE CODE : <b>32559</b> SHEET # <b>2 OF 2</b>
CAD GENERATED DOCUMENT, DO NOT MEASURE DRAWING.			