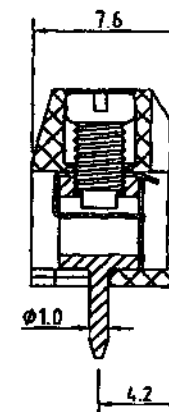
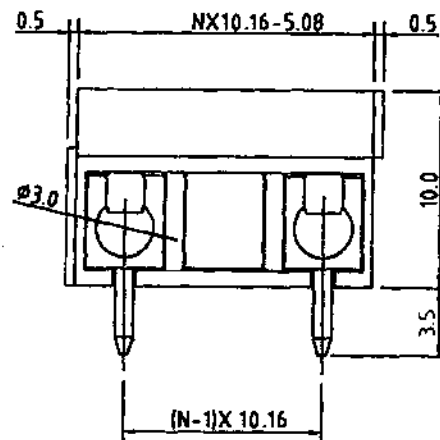


Ratings:
 Current 15A
 Voltage 300 V
 Wire Size 14-22AWG
 Test Voltage 1.5 kV
 Rated Torque / Screw Size 4kg-cm / M2.6

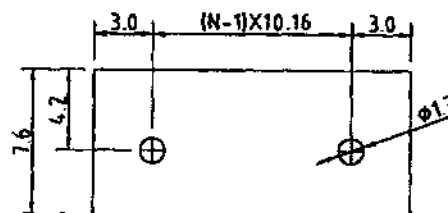
Dimensions:
 Spacing 10.16mm
 PCB Hole Diameter 1.3mm

Materials:
 Insulating Material PA
 Flammability UL94V-0
 Temperature -33°C/+120°C
 Block Brass
 Wire Guard Stainless Steel
 Screw Steel, Galvanized and Cromated



N=Number of contacts

P.C.B. LAYOUT



ON - SHORE TECHNOLOGY, INC.

Part Number

EDCZ600/ * * DS

* - NUMBER OF POSITIONS

Units

mm

Drawing

Reviewed

Approved

Date

6/02/02

Sheet 1 of 1

Rev. A