

# MICRO SWITCH

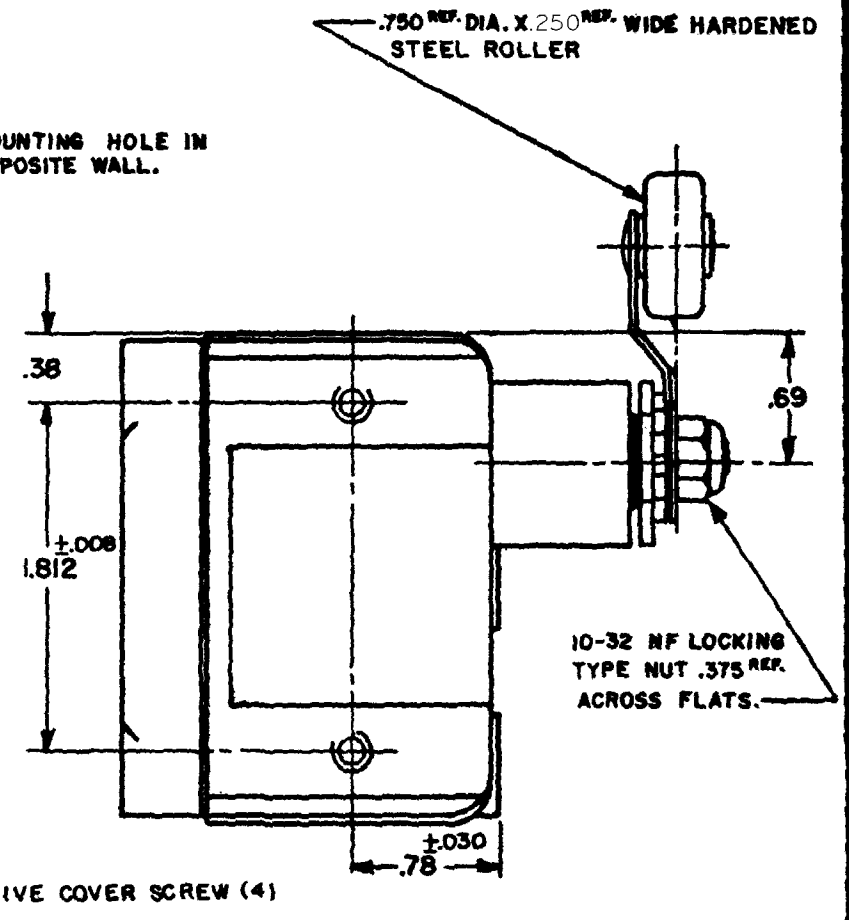
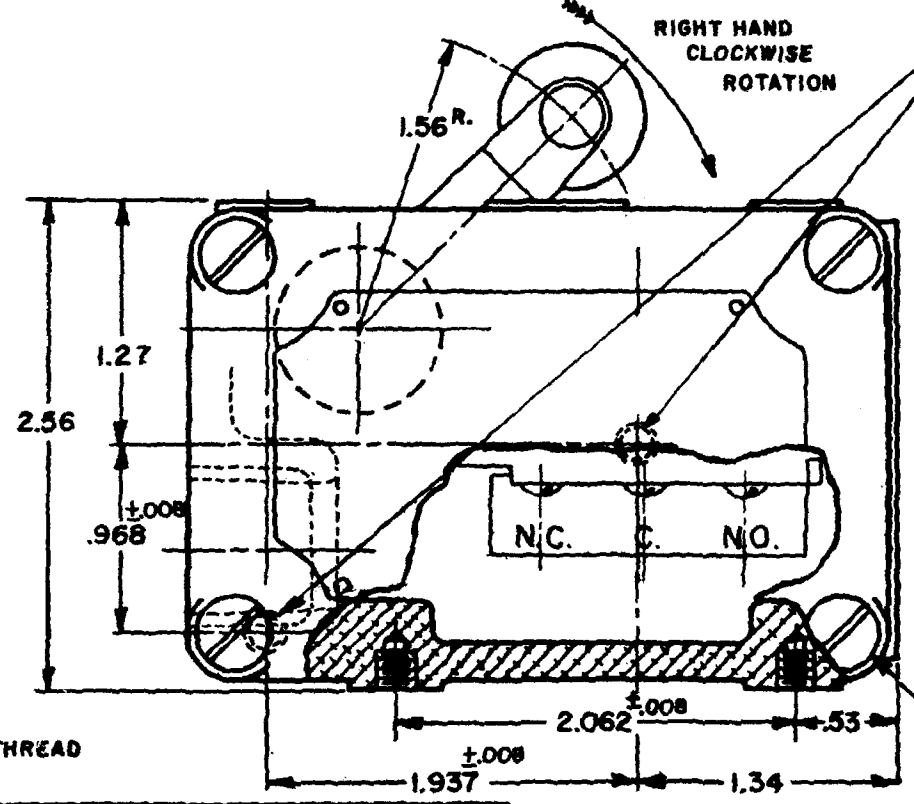
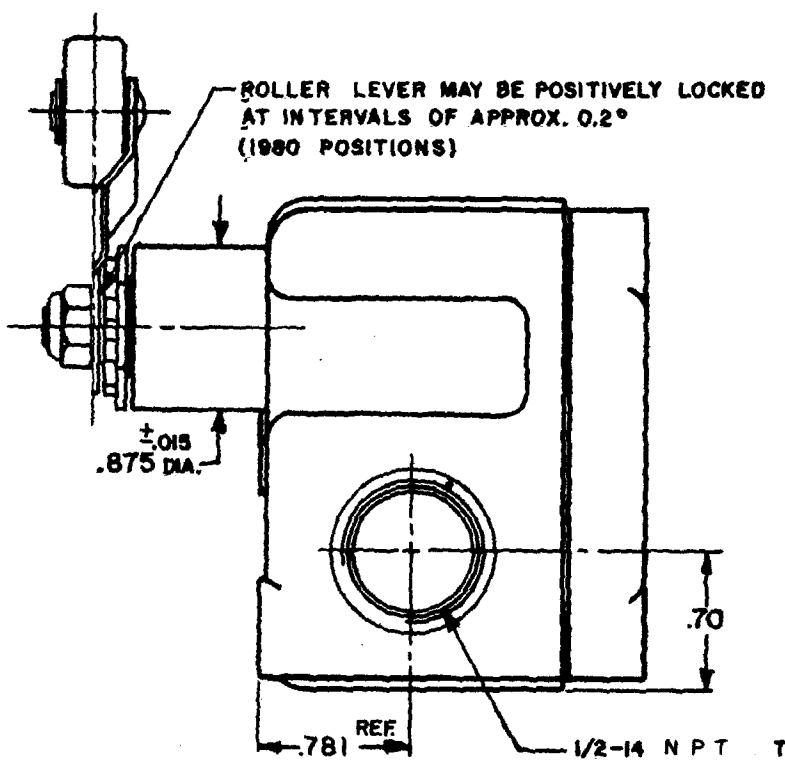
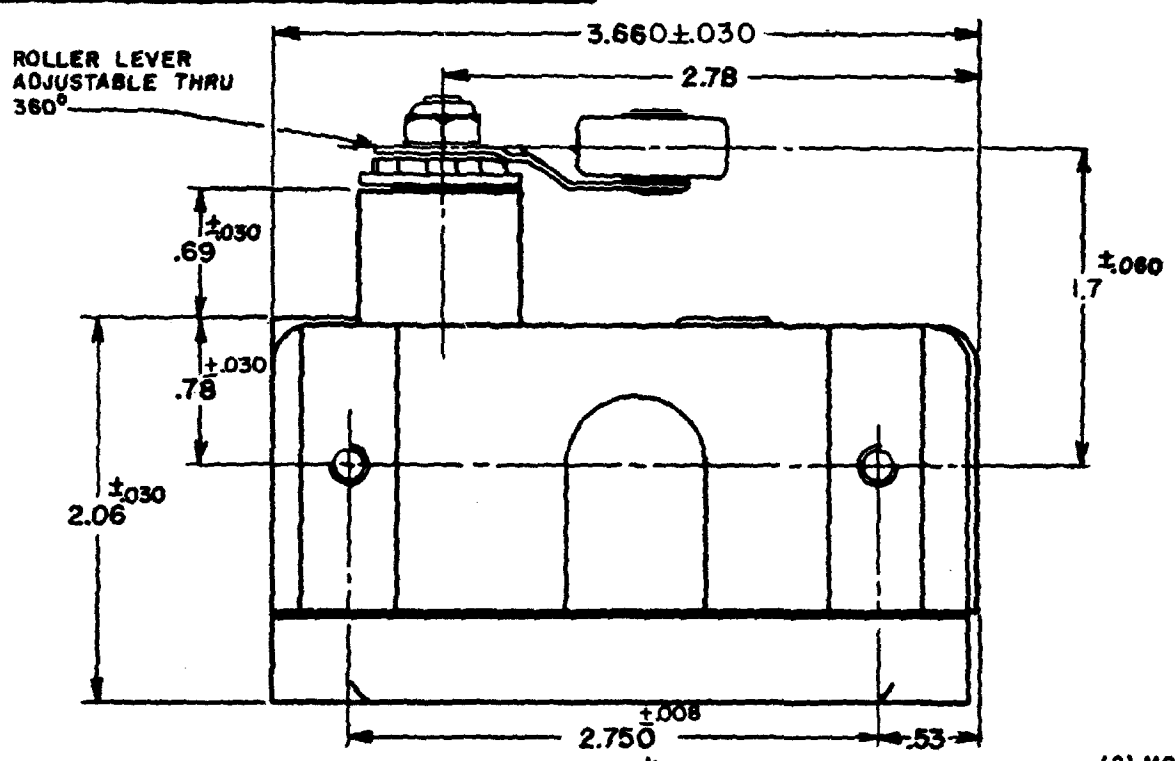
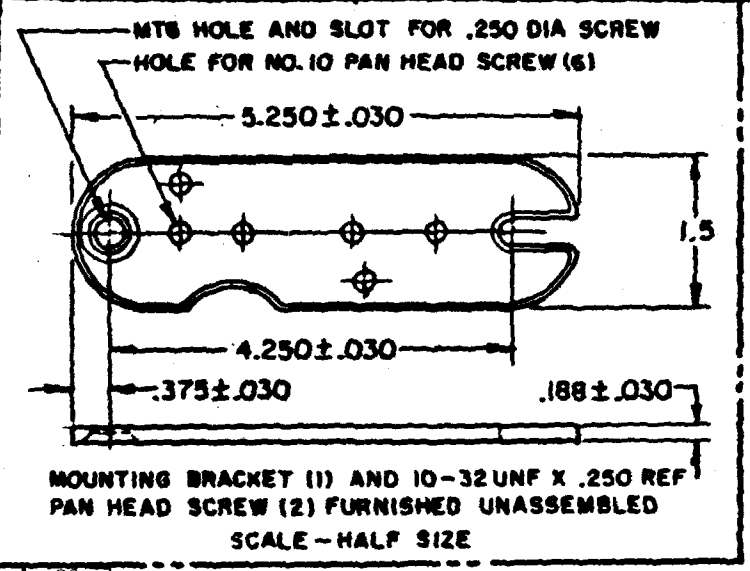
A DIVISION OF AMPHENOL HONEYWELL DEPARTMENT COMPANY  
FED. MFR. CODE 91929

## SWITCH-ENCLOSED

CATALOG LISTING  
**OPD-AR**

THIS DRAWING COVERS A PROPRIETARY ITEM AND IS THE PROPERTY OF MICRO SWITCH, A DIVISION OF HONEYWELL. THIS DRAWING IS NOT TO BE COPIED OR USED WITHOUT THE APPROVAL OF MICRO SWITCH.

(M) OPD-AR  
 REPLACES ISSUE 4  
**M** OPD-AR  
 DRAWING NUMBER  
 ISSUE  
 REVISIONS  
 A C.O. 9182  
 B CORR.  
 C C.O. 11034  
 D C.O. 13360  
 E C.O. 13827  
 F C.O. 18278  
 G C.O. 19878  
 H C.O. 2803  
 I C.O. 3031  
 J C.O. 55987  
 K C.O. 53031  
 L C.O. 73344  
 G.C.A. 18 AUG. 55  
 C.M.A. 18 AUG. 55



CHARACTERISTICS	ELECTRICAL DATA	SCALE FULL
OPERATING FORCE ----- 8-24 OZ.	CONTACT ARRANGEMENT D. P. D. T.	DO NOT SCALE PRINT
RELEASE FORCE ----- 4-12 OZ.	-L59- 10 A-125 OR 250 VAC 0.3 A-125 VDC; 0.15 A-250 VDC	UNLESS OTHERWISE SPECIFIED DIMENSIONS ARE IN INCHES
PRETRAVEL ----- .250 MAX.		TOLERANCES ARE:
DIFFERENTIAL TRAVEL ----- .109 MAX.		ONE PLACE (.0) ±.030
DO NOT OVERTRAVEL MORE THAN 25°		TWO PLACE (.00) ±.015
BASIC SWITCH REPLACEMENT OT-2R4-A7		THREE PLACE (.000) ±.008
		ANGLE ±
		WEIGHT

- NOTE-
- (6) MOUNTING SCREW HOLES, 10-32 NF-28 THREADS X .219 REF. DEEP.
  - 4-40 NC X J25 REF. ROUND HEAD TERMINAL SCREWS AND LOCKWASHERS.
  - SEALED CONSTRUCTION PROVIDES SPLASH RESISTANCE.

# Mouser Electronics

Authorized Distributor

Click to View Pricing, Inventory, Delivery & Lifecycle Information:

[Honeywell:](#)

[OPD-AR](#)