



# MPXHZ6116A, 20 to 115 kPa, Absolute, Integrated Pressure Sensor

The MPXHZ6116A series pressure sensor integrates on-chip, bipolar op amp circuitry and thin film resistor networks to provide a high output signal and temperature compensation. The sensor's packaging has been designed to provide resistance to high humidity conditions as well as common automotive media. The small form factor and high reliability of on-chip integration make this sensor a logical and economical choice for the system designer.

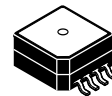
The MPXHZ6116A series pressure sensor is a state-of-the-art, monolithic, signal conditioned sensor designed for a wide range of applications, but particularly those employing a microcontroller or microprocessor with A/D inputs. This piezoresistive transducer combines advanced micromachining techniques, thin-film metallization, and bipolar processing to provide an accurate, high level analog output signal that is proportional to the applied pressure.

## Features

- Resistant to high humidity and common automotive media
- 1.5% maximum error over 0 °C to 85 °C
- Temperature compensated from -40 °C to +125 °C
- Durable thermoplastic (PPS) surface mount package (SSOP)
- Ideally suited for microprocessor or microcontroller-based systems

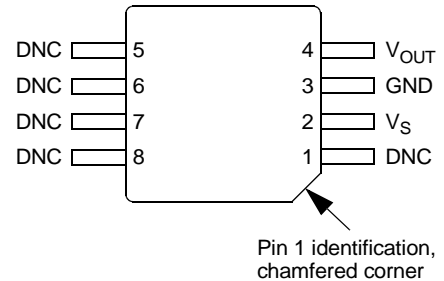
## MPXHZ6116A

### Super small outline package



MPXHZ6116A6U/6T1  
Case 98ARH99066A

### Top view



Pinout

### Ordering information

Part number	Shipping	Package	# of Ports			Pressure type			Device marking
			None	Single	Dual	Gauge	Differential	Absolute	
<b>Small Outline Package (MPXHZ6116A series)</b>									
MPXHZ6116A6U	Rail	98ARH99066A	•					•	MPHZ6116A
MPXHZ6116A6T1	Tape and Reel	98ARH99066A	•					•	MPHZ6116A

Freescale reserves the right to change the detail specifications as may be required to permit improvements in the design of its products.

© 2009, 2010, 2015 Freescale Semiconductor, Inc. All rights reserved.



# Contents

<b>1</b>	<b>General Description</b> .....	<b>3</b>
1.1	Block diagram .....	3
1.2	Pinout .....	3
<b>2</b>	<b>Mechanical and Electrical Specifications</b> .....	<b>4</b>
2.1	Maximum ratings .....	4
2.2	Operating characteristics .....	4
<b>3</b>	<b>On-chip Temperature Compensation and Calibration</b> .....	<b>5</b>
3.1	Minimum recommended footprint for super small packages .....	7
3.2	Package dimensions .....	8
<b>4</b>	<b>Revision History</b> .....	<b>11</b>

## Related Documentation

The MPXHZ6116A device features and operations are described in a variety of reference manuals, user guides, and application notes. To find the most-current versions of these documents:

1. Go to the Freescale homepage at:  
<http://www.freescale.com/>
2. In the Keyword search box at the top of the page, enter the device number MPXHZ6116A.
3. In the Refine Your Result pane on the left, click on the Documentation link.

### MPXHZ6116A

# 1 General Description

## 1.1 Block diagram

Figure 1 shows a block diagram of the internal circuitry integrated on a pressure sensor chip.

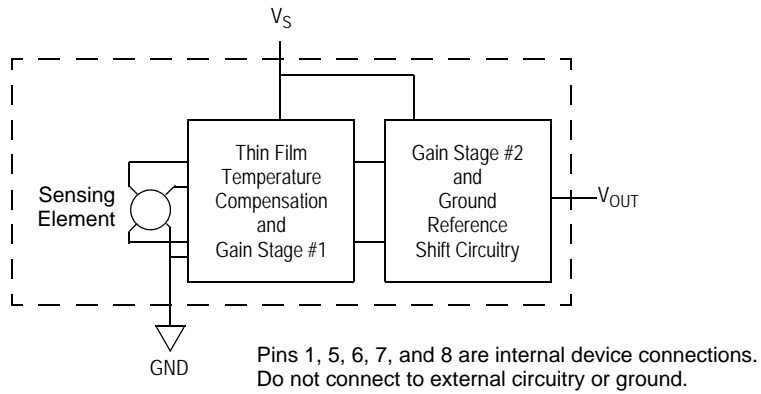


Figure 1. Fully integrated pressure sensor schematic

## 1.2 Pinout

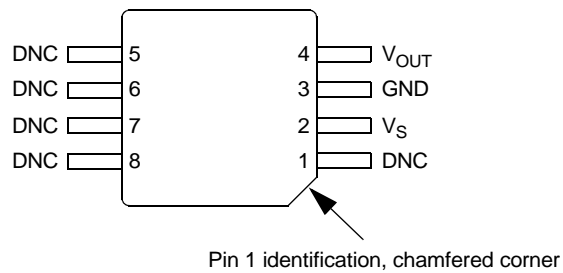


Figure 2. Device pinout (top view)

Table 1. Pin functions

Pin	Name	Function
1	DNC	Do not connect to external circuitry or ground. Pin 1 is denoted by chamfered corner.
2	$V_S$	Voltage supply
3	GND	Ground
4	$V_{OUT}$	Output voltage
5	DNC	Do not connect to external circuitry or ground.
6	DNC	Do not connect to external circuitry or ground.
7	DNC	Do not connect to external circuitry or ground.
8	DNC	Do not connect to external circuitry or ground.

## 2 Mechanical and Electrical Specifications

### 2.1 Maximum ratings

**Table 2. Maximum ratings<sup>(1)</sup>**

Rating	Symbol	Value	Units
Maximum pressure	$P_{max}$	400	kPa
Storage temperature	$T_{stg}$	-40 to +125	°C
Operating temperature	$T_A$	-40 to +125	°C
Output source current @ full-scale output <sup>(2)</sup>	$I_{o+}$	+0.5	mAdc
Output sink current @ minimum pressure offset <sup>(2)</sup>	$I_{o-}$	-0.5	mAdc

1.Exposure beyond the specified limits may cause permanent damage or degradation to the device.

2.Maximum output current is controlled by effective impedance from  $V_{OUT}$  to GND or  $V_{OUT}$  to  $V_S$  in the application circuit.

### 2.2 Operating characteristics

**Table 3. Operating characteristics** ( $V_S = 5.0$  Vdc,  $T_A = 25$  °C unless otherwise noted, decoupling circuit shown in [Figure 4](#) required to meet electrical specifications.)

Characteristic	Symbol	Min	Typ	Max	Unit
Pressure range	$P_{OP}$	20	—	115	kPa
Supply voltage <sup>(1)</sup>	$V_S$	4.75	5.0	5.25	Vdc
Supply current	$I_S$	—	6.0	10	mAdc
Full-scale span <sup>(2)</sup>	$V_{FSS}$	—	4.2	—	Vdc
Offset <sup>(3)</sup>	$V_{off}$	0.335	0.399	0.463	Vdc
Sensitivity	$V/P$	—	44.2	—	mV/kPa
Accuracy <sup>(4)</sup>	—	-1.5	—	+1.5	% $V_{FSS}$
Pressure range	$P_{OP}$	20	—	115	kPa

1.Device is ratiometric within this specified excitation range.

2.Full-scale span ( $V_{FSS}$ ) is defined as the algebraic difference between the output voltage at full rated pressure and the output voltage at the minimum rated pressure.

3.Offset ( $V_{off}$ ) is defined as the output voltage at the minimum rated pressure.

4.Accuracy (error budget) is the deviation in actual output from nominal output over the entire pressure range and temperature range as a percent of  $V_{SS}$  span at 25 °C due to all sources of error including the following:

Linearity:	Output deviation from a straight line relationship with pressure over the specified pressure range.
Temperature Hysteresis:	Output deviation at any temperature within the operating temperature range, after the temperature is cycled to and from the minimum or maximum operating temperature points, with zero differential pressure applied.
Pressure Hysteresis:	Output deviation at any pressure within the specified range, when this pressure is cycled to and from minimum or maximum rated pressure at 25 °C.
Offset Stability:	Output deviation, after 1000 temperature cycles, -40 °C to 125 °C, and 1.5 million pressure cycles, with minimum rated pressure applied.
TcSpan:	Output deviation over the temperature range of 0 °C to 85 °C, relative to 25 °C.
TcOffset:	Output deviation with minimum pressure applied, over the temperature range of 0 °C to 85 °C, relative to 25 °C.

### 3 On-chip Temperature Compensation and Calibration

The performance over temperature is achieved by integrating the shear–stress strain gauge, temperature compensation, calibration, and signal conditioning circuitry onto a single monolithic chip.

Figure 3 illustrates the configuration in the basic chip carrier (case 98ARH99066A) prior to porting. A gel die coat isolates the die surface and wire bonds from the environment, while allowing the pressure signal to be transmitted to the sensor diaphragm. The gel die coat and durable thermoplastic package provide a media resistant barrier that allows the sensor to operate reliably in high humidity conditions as well as common automotive media.

#### NOTE

The MPXHZ6116A pressure sensor operating characteristics, internal reliability and qualification tests are based on use of air as the pressure media. Media, other than air, may have adverse effects on sensor performance and long–term reliability. Contact the factory for information regarding media compatibility in your application.

Figure 4 shows the recommended decoupling circuit for interfacing the integrated sensor to the A/D input of a microprocessor or microcontroller. Proper decoupling of the power supply is recommended.

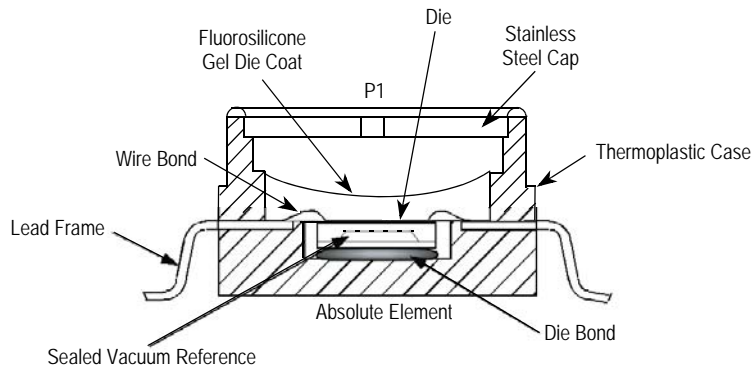


Figure 3. Cross-sectional diagram SSOP (not to scale)

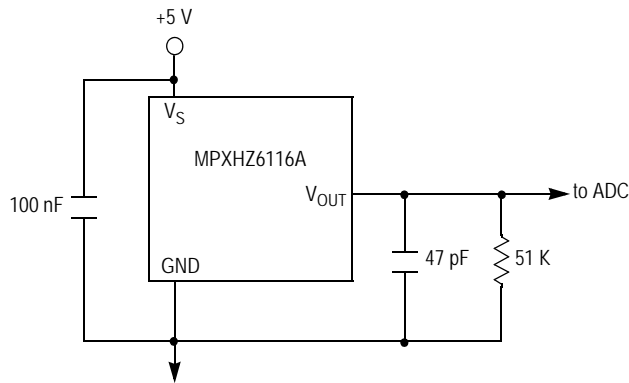
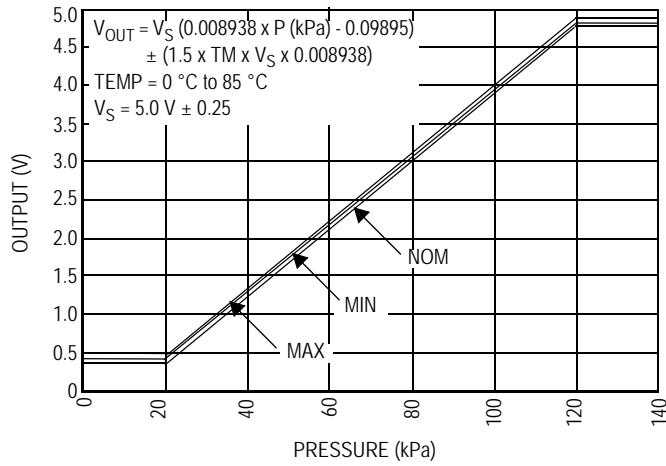
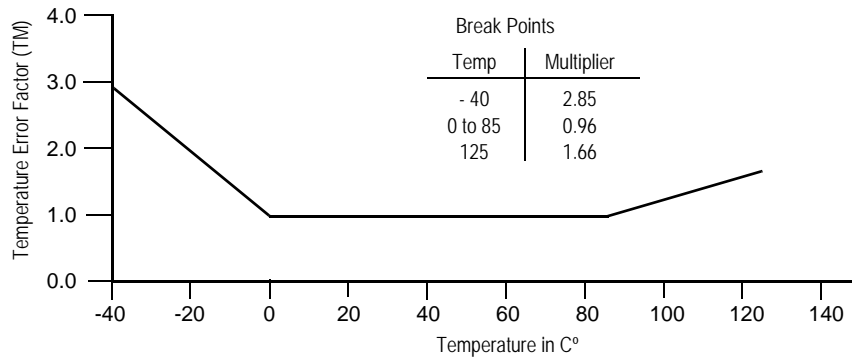


Figure 4. Recommended power supply decoupling and output filtering

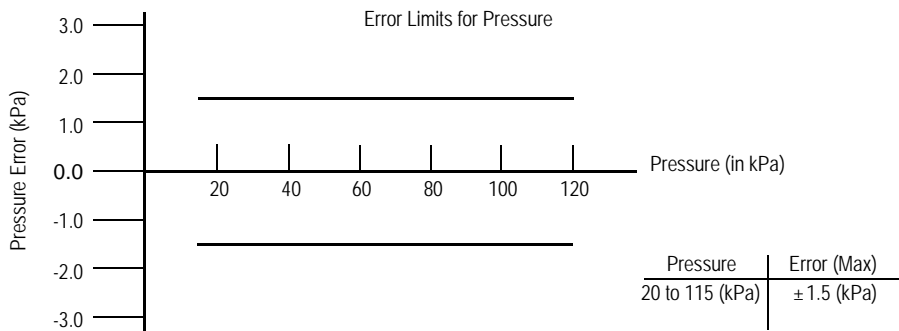


**Figure 5. Output vs. absolute pressure**



NOTE: The Temperature Multiplier is a linear response from 0°C to -40°C and from 85°C to 125°C

**Figure 6. Temperature error band**



**Figure 7. Pressure error band**

## 4 Package Information

### 4.1 Minimum recommended footprint for super small packages

Surface mount board layout is a critical portion of the total design. The footprint for the semiconductor package must be the correct size to ensure proper solder connection interface between the board and the package. With the correct pad geometry, the packages will self-align when subjected to a solder reflow process. It is always recommended to fabricate boards with a solder mask layer to avoid bridging and/or shorting between solder pads, especially on tight tolerances and/or tight layouts.

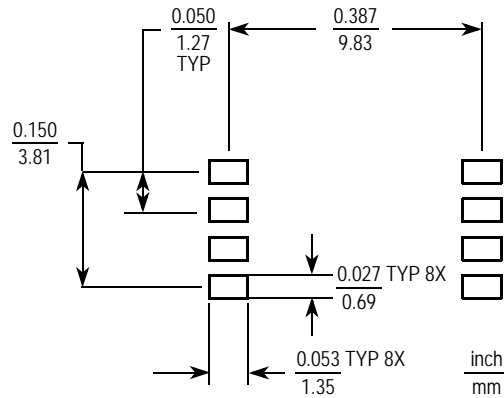
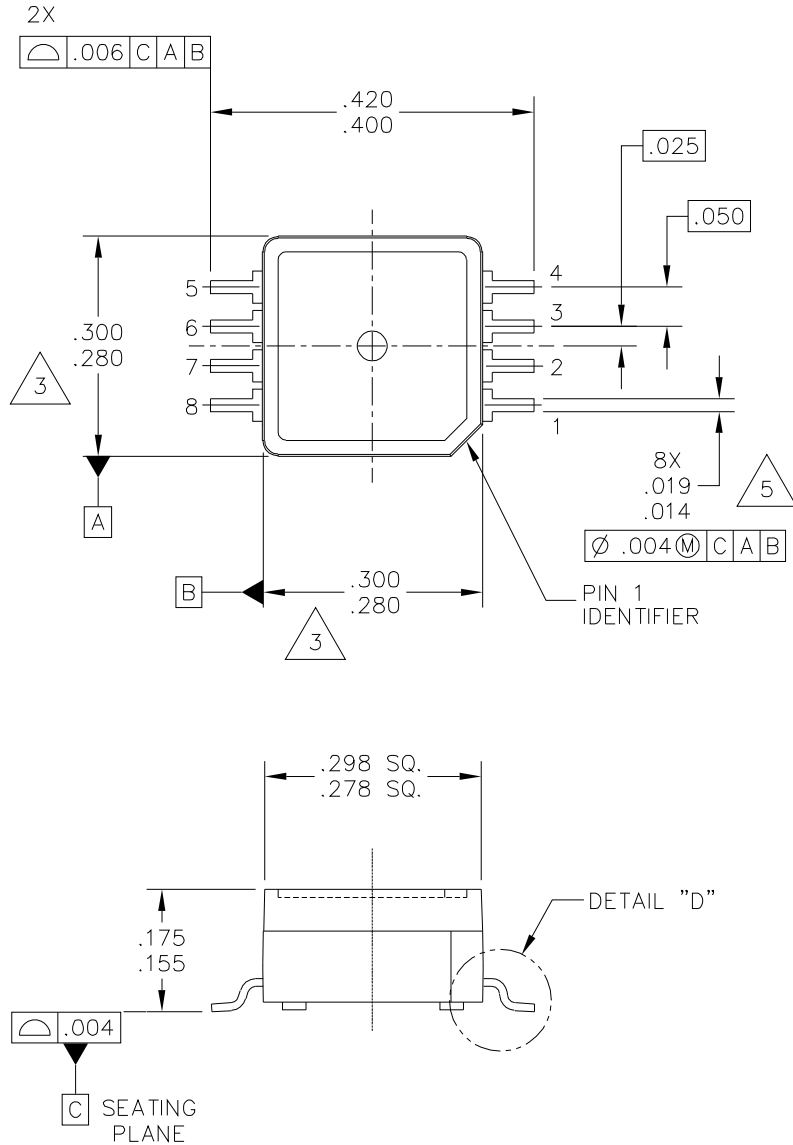


Figure 8. SSOP footprint

## 4.2 Package dimensions

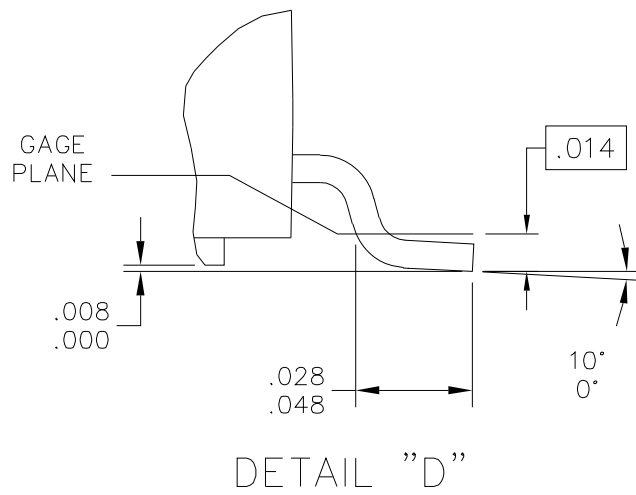
This drawing is located at [http://cache.freescale.com/files/shared/doc/package\\_info/98ARH99066A.pdf](http://cache.freescale.com/files/shared/doc/package_info/98ARH99066A.pdf).



© FREESCALE SEMICONDUCTOR, INC. ALL RIGHTS RESERVED.		<b>MECHANICAL OUTLINE</b>		PRINT VERSION NOT TO SCALE	
TITLE:	8 LEAD SSOP			DOCUMENT NO: 98ARH99066A	REV: H
				CASE NUMBER: 1317-04	13 APR 2012
				STANDARD: NON-JEDEC	

**Case 98ARH99066A, 8-lead super small outline package**





© FREESCALE SEMICONDUCTOR, INC. ALL RIGHTS RESERVED.		<b>MECHANICAL OUTLINE</b>		PRINT VERSION NOT TO SCALE	
TITLE:	8 LEAD SSOP	DOCUMENT NO: 98ARH99066A		REV: H	
		CASE NUMBER: 1317-04		13 APR 2012	
		STANDARD: NON-JEDEC			

**Case 98ARH99066A, 8-lead super small outline package**

**MPXHZ6116A**

NOTES:

1. ALL DIMENSIONS IN INCHES.
2. DIMENSIONING AND TOLERANCING PER ASME Y14.5M-1994.
3. DIMENSIONS DO NOT INCLUDE MOLD FLASH OR PROTRUSIONS.  
MOLD FLASH OR PROTRUSION SHALL NOT EXCEED .006 INCHES PER SIDE.
4. ALL VERTICAL SURFACES TO BE 5° MAXIMUM.
5. DIMENSION DOES NOT INCLUDE DAMBAR PROTRUSION.  
ALLOWABLE DAMBAR PROTRUSION SHALL BE .008 INCHES MAXIMUM.

© FREESCALE SEMICONDUCTOR, INC. ALL RIGHTS RESERVED.	<b>MECHANICAL OUTLINE</b>	PRINT VERSION NOT TO SCALE	
TITLE:  8 LEAD SSOP	DOCUMENT NO: 98ARH99066A	REV: H	
	CASE NUMBER: 1317-04	13 APR 2012	
	STANDARD: NON-JEDEC		

**Case 98ARH99066A, 8-lead super small outline package**

## 5 Revision History

Table 4. Revision history

Revision number	Revision date	Description
2.1	05/2015	<ul style="list-style-type: none"><li>• Updated format.</li><li>• Corrected accuracy bullet on page 1, was 1.43% to 1.52%. Corrected device marking column on page 1.</li><li>• Updated package drawing with current version.</li></ul>

**How to Reach Us:**

**Home Page:**

freescale.com

**Web Support:**

freescale.com/support

Information in this document is provided solely to enable system and software implementers to use Freescale products. There are no express or implied copyright licenses granted hereunder to design or fabricate any integrated circuits based on the information in this document.

Freescale reserves the right to make changes without further notice to any products herein. Freescale makes no warranty, representation, or guarantee regarding the suitability of its products for any particular purpose, nor does Freescale assume any liability arising out of the application or use of any product or circuit, and specifically disclaims any and all liability, including without limitation consequential or incidental damages. "Typical" parameters that may be provided in Freescale data sheets and/or specifications can and do vary in different applications, and actual performance may vary over time. All operating parameters, including "typicals," must be validated for each customer application by customer's technical experts. Freescale does not convey any license under its patent rights nor the rights of others. Freescale sells products pursuant to standard terms and conditions of sale, which can be found at the following address: [freescale.com/salestermsandconditions](http://freescale.com/salestermsandconditions).

Freescale and the Freescale logo are trademarks of Freescale Semiconductor, Inc., Reg. U.S. Pat. & Tm. Off. All other product or service names are the property of their respective owners.

© 2009, 2010, 2015 Freescale Semiconductor, Inc.

# Mouser Electronics

Authorized Distributor

Click to View Pricing, Inventory, Delivery & Lifecycle Information:

[Freescale Semiconductor:](#)

[MPXHZ6116A6T1](#) [MPXHZ6116A6U](#)