



Is Now Part of



ON Semiconductor®

To learn more about ON Semiconductor, please visit our website at

www.onsemi.com

ON Semiconductor and the ON Semiconductor logo are trademarks of Semiconductor Components Industries, LLC dba ON Semiconductor or its subsidiaries in the United States and/or other countries. ON Semiconductor owns the rights to a number of patents, trademarks, copyrights, trade secrets, and other intellectual property. A listing of ON Semiconductor's product/patent coverage may be accessed at www.onsemi.com/site/pdf/Patent-Marking.pdf. ON Semiconductor reserves the right to make changes without further notice to any products herein. ON Semiconductor makes no warranty, representation or guarantee regarding the suitability of its products for any particular purpose, nor does ON Semiconductor assume any liability arising out of the application or use of any product or circuit, and specifically disclaims any and all liability, including without limitation special, consequential or incidental damages. Buyer is responsible for its products and applications using ON Semiconductor products, including compliance with all laws, regulations and safety requirements or standards, regardless of any support or applications information provided by ON Semiconductor. "Typical" parameters which may be provided in ON Semiconductor data sheets and/or specifications can and do vary in different applications and actual performance may vary over time. All operating parameters, including "Typicals" must be validated for each customer application by customer's technical experts. ON Semiconductor does not convey any license under its patent rights nor the rights of others. ON Semiconductor products are not designed, intended, or authorized for use as a critical component in life support systems or any FDA Class 3 medical devices or medical devices with a same or similar classification in a foreign jurisdiction or any devices intended for implantation in the human body. Should Buyer purchase or use ON Semiconductor products for any such unintended or unauthorized application, Buyer shall indemnify and hold ON Semiconductor and its officers, employees, subsidiaries, affiliates, and distributors harmless against all claims, costs, damages, and expenses, and reasonable attorney fees arising out of, directly or indirectly, any claim of personal injury or death associated with such unintended or unauthorized use, even if such claim alleges that ON Semiconductor was negligent regarding the design or manufacture of the part. ON Semiconductor is an Equal Opportunity/Affirmative Action Employer. This literature is subject to all applicable copyright laws and is not for resale in any manner.



MID400 AC Line Monitor Logic-Out Device

Features

- Direct operation from any line voltage with the use of an external resistor.
- Externally adjustable time delay
- Externally adjustable AC voltage sensing level
- Logic level compatibility
- Safety and Regulatory Approvals:
 - UL1577, 2,500 VAC_{RMS} for 1 Minute
 - DIN-EN/IEC60747-5-5, 630 V Peak Working Insulation Voltage

Applications

- Monitoring of the AC/DC “line-down” condition
- “Closed-loop” interface between electromechanical elements such as solenoids, relay contacts, small motors, and microprocessors
- Time delay isolation switch

Description

The MID400 is an optically isolated AC line-to-logic interface device. It is packaged in an 8-lead plastic DIP. The AC line voltage is monitored by two back-to-back GaAs LED diodes in series with an external resistor. A high gain detector circuit senses the LED current and drives the output gate to a logic low condition.

The MID400 has been designed solely for the use as an AC line monitor. It is recommended for use in any AC-to-DC control application where excellent optical isolation, solid state reliability, TTL compatibility, small size, low power, and low frequency operations are required.

Functional Schematic

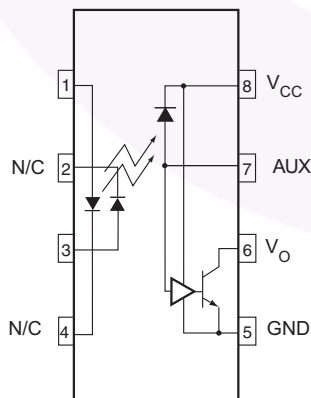


Figure 1. Schematic

Package Outlines

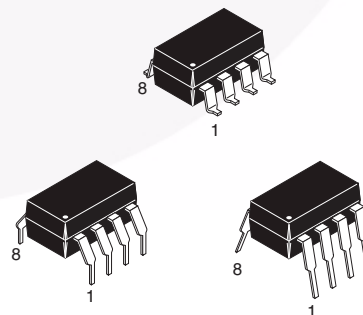


Figure 2. Package Outlines

Safety and Insulation Ratings

As per DIN EN/IEC 60747-5-5, this optocoupler is suitable for “safe electrical insulation” only within the safety limit data. Compliance with the safety ratings shall be ensured by means of protective circuits.

Parameter		Characteristics
Installation Classifications per DIN VDE 0110/1.89 Table 1, For Rated Mains Voltage	< 150 V _{RMS}	I-IV
	< 300 V _{RMS}	I-IV
Climatic Classification		55/100/21
Pollution Degree (DIN VDE 0110/1.89)		2
Comparative Tracking Index		175

Symbol	Parameter	Value	Unit
V _{PR}	Input-to-Output Test Voltage, Method A, V _{IORM} × 1.6 = V _{PR} , Type and Sample Test with t _m = 10 s, Partial Discharge < 5 pC	1008	V _{peak}
	Input-to-Output Test Voltage, Method B, V _{IORM} × 1.875 = V _{PR} , 100% Production Test with t _m = 1 s, Partial Discharge < 5 pC	1182	V _{peak}
V _{IORM}	Maximum Working Insulation Voltage	630	V _{peak}
V _{IOTM}	Highest Allowable Over-Voltage	6000	V _{peak}
	External Creepage	≥ 7	mm
	External Clearance	≥ 7	mm
DTI	Distance Through Insulation (Insulation Thickness)	≥ 0.4	mm
T _S	Case Temperature ⁽¹⁾	150	°C
I _{S,INPUT}	Input Current ⁽¹⁾	60	mA
P _{S,OUTPUT}	Output Power ⁽¹⁾	150	mW
R _{IO}	Insulation Resistance at T _S , V _{IO} = 500 V ⁽¹⁾	> 10 ⁹	Ω

Note:

1. Safety limit values – maximum values allowed in the event of a failure.

Absolute Maximum Ratings

Stresses exceeding the absolute maximum ratings may damage the device. The device may not function or be operable above the recommended operating conditions and stressing the parts to these levels is not recommended. In addition, extended exposure to stresses above the recommended operating conditions may affect device reliability. The absolute maximum ratings are stress ratings only.

Symbol	Parameter	Value	Unit
T_{STG}	Storage Temperature	-55 to +125	°C
T_{OPR}	Operating Temperature	-40 to +85	°C
T_J	Junction Temperature	-55 to +100	°C
T_{SOL}	Lead Solder Temperature	260 for 10 seconds	°C
P_D	Total Device Power Dissipation @ $T_A = 25^\circ\text{C}$	115	mW
	Derate Above 70°C	4	mW/°C
EMITTER			
	RMS Current	25	mA
	DC Current	±30	mA
$P_{D(EMITTER)}$	LED Power Dissipation @ $T_A = 25^\circ\text{C}$	45	mW
	Derate Above 70°C	2	mW/°C
DETECTOR			
I_{OL}	Low Level Output Current	20	mA
V_{OH}	High Level Output Voltage	7	V
V_{CC}	Supply Voltage	7	V
$P_{D(DETECTOR)}$	Detector Power Dissipation @ $T_A = 25^\circ\text{C}$	70	mW
	Derate Above 70°C	2	mW/°C

Electrical Characteristics

0°C to 70°C Free Air Temperature unless otherwise specified.

Individual Component Characteristics

Symbol	Parameter	Test Conditions	Min.	Typ.	Max.	Unit
EMITTER						
V_F	Input Forward Voltage	$I_{IN(DC)} = \pm 30 \text{ mA}$			1.5	V
DETECTOR						
I_{CCL}	Logic Low Output Supply Current	$I_{IN(RMS)} = 4.0 \text{ mA}$, $V_O = \text{Open}$, $V_{CC} = 5.5 \text{ V}$, $24 \text{ V} \leq V_{IN(ON_RMS)} \leq 240 \text{ V}$			3.0	mA
I_{CCH}	Logic High Output Supply Current	$I_{IN(RMS)} = 0.15 \text{ mA}$, $V_{CC} = 5.5 \text{ V}$, $V_{IN(OFF_RMS)} \geq 5.5 \text{ V}$			0.8	mA

Transfer Characteristics

Symbol	Parameter	Test Conditions	Min.	Typ.	Max.	Unit
DC CHARACTERISTICS						
V_{OL}	Logic Low Output Current	$I_{IN} = I_{IN(ON_RMS)}$, $I_O = 16 \text{ mA}$, $V_{CC} = 4.5 \text{ V}$, $24 \text{ V} \leq V_{IN(ON_RMS)} \leq 240 \text{ V}$		0.18	0.40	V
I_{OH}	Logic High Output Current	$I_{IN(RMS)} = 0.15 \text{ mA}$, $V_O = V_{CC} = 5.5 \text{ V}$, $V_{IN(OFF_RMS)} \geq 5.5 \text{ V}$		0.02	100	μA
$V_{IN(ON_RMS)}$	On-state RMS Input Voltage	$I_O = 16 \text{ mA}$, $V_O = 0.4 \text{ V}$, $V_{CC} = 4.5 \text{ V}$, $R_{IN} = 22 \text{ k}\Omega$	90			V
$V_{IN(OFF_RMS)}$	Off-state RMS Input Voltage	$I_O \leq 100 \mu\text{A}$, $V_O = V_{CC} = 5.5 \text{ V}$, $R_{IN} = 22 \text{ k}\Omega$			5.5	V
$I_{IN(ON_RMS)}$	On-state RMS Input Current	$I_O = 16 \text{ mA}$, $V_O = 0.4 \text{ V}$, $V_{CC} = 4.5 \text{ V}$, $24 \text{ V} \leq V_{IN(ON_RMS)} \leq 240 \text{ V}$	4.0			mA
$I_{IN(OFF_RMS)}$	Off-state RMS Input Current	$I_O \leq 100 \mu\text{A}$, $V_O = V_{CC} = 5.5 \text{ V}$, $V_{IN(OFF_RMS)} \geq 5.5 \text{ V}$			0.15	mA
AC CHARACTERISTICS						
t_{ON}	Turn-On Time	$I_{IN(RMS)} = 4.0 \text{ mA}$, $I_O = 16 \text{ mA}$, $V_{CC} = 4.5 \text{ V}$, $R_{IN} = 22 \text{ k}\Omega$ (See figure 4)		1.0		ms
t_{OFF}	Turn-Off Time			1.0		ms

Isolation Characteristics

Symbol	Parameter	Test Conditions	Min.	Typ.	Max.	Unit
V_{ISO}	Steady State Isolation Voltage	Relative Humidity $\leq 50\%$, $I_{I-O} \leq 10 \mu\text{A}$, 1 Minute, 60 Hz	2,500			$V_{AC(RMS)}$
C_{ISO}	Isolation Capacitance	$f = 1 \text{ MHz}$			2	pF
R_{ISO}	Isolation Resistance	$V_{I-O} = 500 \text{ VDC}$	10^{11}			Ω

Applications Information

The input of the MID400 consists of two back-to-back LED diodes which will accept and convert alternating currents into light energy. An integrated photo diode-detector amplifier forms the output network. Optical coupling between input and output provides 2500 VAC_{RMS} voltage isolation. A very high current transfer ratio (defined as the ratio of the DC output current and the DC input current) is achieved through the use of high gain amplifier. The detector amplifier circuitry operates from a 5V DC supply and drives an open collector transistor output. The switching times are intentionally designed to be slow in order to enable the MID400, when used as an AC line monitor, to respond only to changes in input voltage exceeding many milliseconds. The short period of time during zero-crossing which occurs once every half cycle of the power line is completely ignored. To operate the MID400, always add a resistor, R_{IN}, in series with the input (as shown in figure 3) to limit the current to the required value. The value of the resistor can be determined by the following equation:

$$R_{IN} = \frac{V_{IN} - V_F}{I_{IN}}$$

Where,

V_{IN} (RMS) is the input voltage.

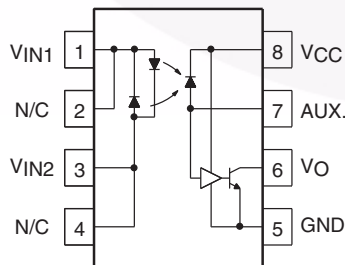
V_F is the forward voltage drop across the LED.

I_{IN} (RMS) is the desired input current required to sustain a logic "O" on the output.

Pin Description

Pin Number	Pin Name	Function
1, 3	V _{IN1} , V _{IN2}	Input terminals
2, 4	N/C	No Connect
8	V _{CC}	Supply voltage, output circuit.
7	AUX	Auxiliary terminal. Programmable capacitor input to adjust AC voltage sensing level and time delay.
6	V _O	Output terminal; open collector.
5	GND	Circuit ground potential.

Schematic Diagram



Glossary

VOLTAGES

V_{IN (ON_RMS)} On-State RMS Input Voltage

The RMS voltage at an input terminal for a specified input current with output conditions applied according to the product specification will cause the output switching element to be sustained in the on-state within one full cycle.

V_{IN (OFF_RMS)} Off-State RMS Input Voltage

The RMS voltage at an input terminal for a specified input current with output conditions applied according to the product specification will cause the output switching element to be sustained in the off-state within one full cycle.

V_{OL} Low-Level Output Voltage

The voltage at an output terminal for a specific output current I_{OL}, with input conditions applied according to the product specification will establish a low-level at the output.

V_{OH} High-Level Output Voltage

The voltage at an output terminal for a specific output current I_{OH}, with input conditions applied according to the product specification will establish a high-level at the output.

V_F LED Forward Voltage

The voltage developed across the LED when input current I_F is applied to the anode of the LED.

CURRENTS

I_{IN (ON_RMS)} On-State RMS Input Current

The RMS current flowing into an input with output conditions applied according to the product specification will cause the output switching element to be sustained in the on-state within one full cycle.

I_{IN (OFF_RMS)} Off-state RMS Input Current

The RMS current flowing into an input with output conditions applied according to the product specification will cause the output switching element to be sustained in the off-state within one full cycle.

I_{OH} High-Level Output Current

The current flowing into an output with input conditions applied according to the product specification will establish high-level at the output.

I_{OL}

Low-Level Output Current

The current flowing into an output with input conditions applied according to the product specification will establish low-level at the output.

I_{CCL}

Supply Current, Output LOW

The current flowing into the V_{CC} supply terminal of a circuit when the output is at a low-level voltage.

I_{CCH}

Supply Current, Output HIGH

The current flowing into the V_{CC} supply terminal of a circuit when the output is at a high-level voltage.

DYNAMIC CHARACTERISTICS

t_{ON}

Turn-On Time

The time between the specified reference points on the input and the output voltage waveforms with the output changing from the defined high-level to the defined low-level.

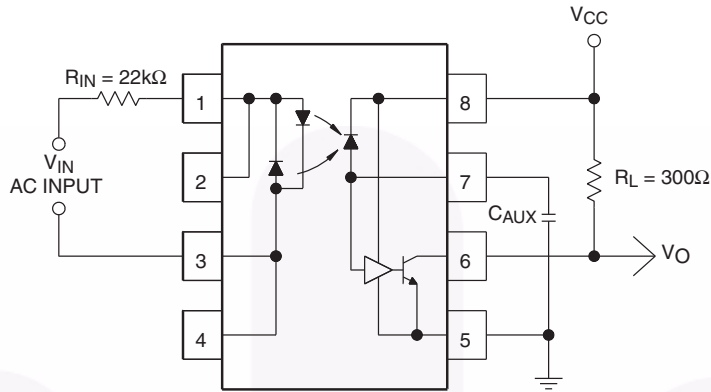
t_{OFF}

Turn-Off time

The time between the specified reference points on the input and the output voltage waveforms with the output changing from the defined low-level to the defined high-level.

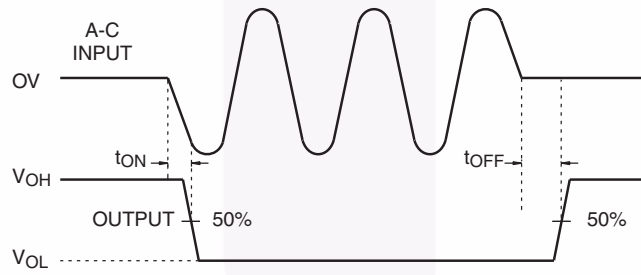


Test Circuits



INPUT CURRENT VS. CAPACITANCE, C_{AUX} CIRCUIT

Figure 3. Typical Application Circuit



* INPUT TURNS ON AND OFF AT ZERO CROSSING

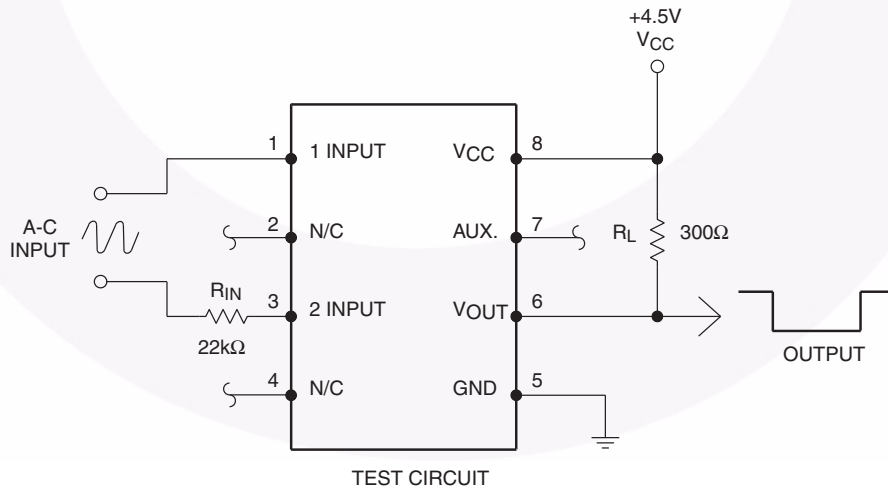


Figure 4. MID400 Switching Time

Typical Performance Curves

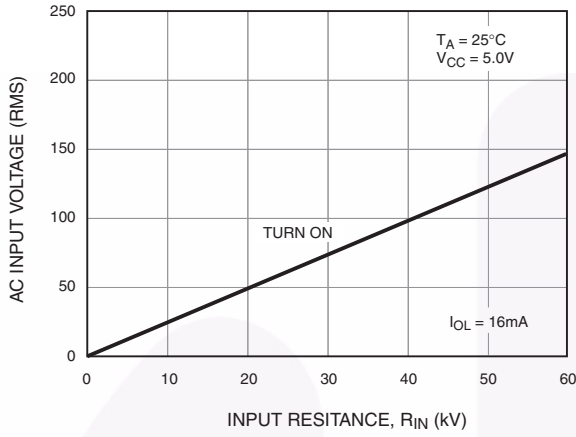


Fig. 5 Input Voltage vs. Input Resistance

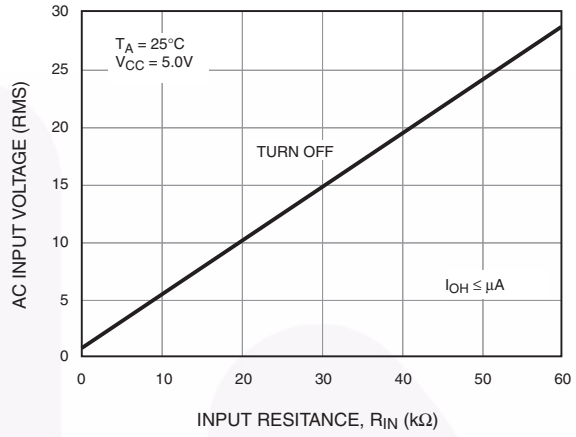


Fig. 6 Input Voltage vs. Input Resistance

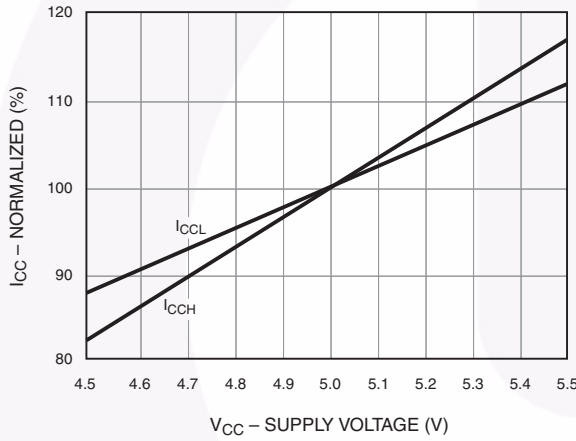


Fig. 7 Supply Current vs. Supply Voltage

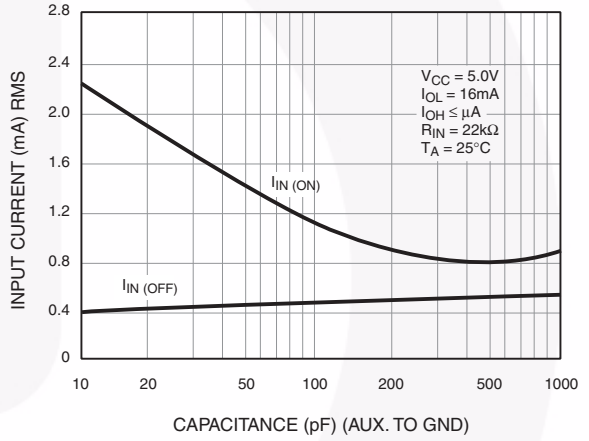


Fig. 8 Input Current vs. Capacitance

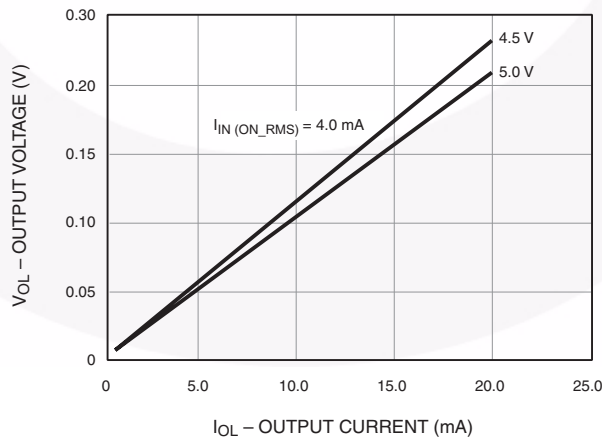


Fig. 9 Output Voltage vs. Output Current

Ordering Information

Part Number	Package	Packing Method
MID400	DIP 8-Pin	Tube (50 units per tube)
MID400S	SMT 8-Pin (Lead Bend)	Tube (50 units per tube)
MID400SD	SMT 8-Pin (Lead Bend)	Tape and Reel (1,000 units per reel)
MID400V	DIP 8-Pin, DIN EN/IEC 60747-5-5 Option	Tube (50 units per tube)
MID400SV	SMT 8-Pin (Lead Bend), DIN EN/IEC 60747-5-5 Option	Tube (50 units per tube)
MID400SDV	SMT 8-Pin, DIN EN/IEC 60747-5-5 Option	Tape and Reel (1,000 units per reel)
MID400WV	DIP 8-Pin, 0.4" Lead Spacing, DIN EN/IEC 60747-5-5 Option	Tube (50 units per tube)

Marking Information

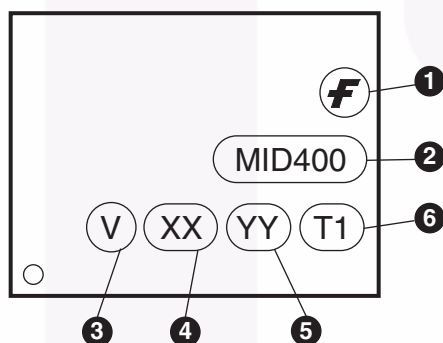


Figure 10. Top Mark

Table 1. Top Mark Definitions

1	Fairchild Logo
2	Device Number
3	DIN EN/IEC60747-5-5 Option (only appears on component ordered with this option)
4	Two-Digit Year Code, e.g., "06"
5	Digit Work Week, Ranging from "01" to "53"
6	Assembly Package Code



- NOTES:
- A) NO STANDARD APPLIES TO THIS PACKAGE
 - B) ALL DIMENSIONS ARE IN MILLIMETERS.
 - C) DIMENSIONS ARE EXCLUSIVE OF BURRS, MOLD FLASH, AND TIE BAR EXTRUSION
 - D) DRAWING FILENAME AND REVISION: MKT-N08GREV7





LAND PATTERN RECOMMENDATION



NOTES:

- A) NO STANDARD APPLIES TO THIS PACKAGE
- B) ALL DIMENSIONS ARE IN MILLIMETERS.
- C) DIMENSIONS ARE EXCLUSIVE OF BURRS, MOLD FLASH, AND TIE BAR EXTRUSION
- D) DRAWING FILENAME AND REVISION: MKT-N08Hrev7.





PIN 1

15.0° (MAX)

10.16 (TYP)

0.20-0.40



NOTES:

- A) NO STANDARD APPLIES TO THIS PACKAGE
- B) ALL DIMENSIONS ARE IN MILLIMETERS.
- C) DIMENSIONS ARE EXCLUSIVE OF BURRS, MOLD FLASH, AND TIE BAR EXTRUSION
- D) DRAWING FILENAME AND REVISION: MKT-N08REV7



ON Semiconductor and  are trademarks of Semiconductor Components Industries, LLC dba ON Semiconductor or its subsidiaries in the United States and/or other countries. ON Semiconductor owns the rights to a number of patents, trademarks, copyrights, trade secrets, and other intellectual property. A listing of ON Semiconductor's product/patent coverage may be accessed at www.onsemi.com/site/pdf/Patent-Marking.pdf. ON Semiconductor reserves the right to make changes without further notice to any products herein. ON Semiconductor makes no warranty, representation or guarantee regarding the suitability of its products for any particular purpose, nor does ON Semiconductor assume any liability arising out of the application or use of any product or circuit, and specifically disclaims any and all liability, including without limitation special, consequential or incidental damages. Buyer is responsible for its products and applications using ON Semiconductor products, including compliance with all laws, regulations and safety requirements or standards, regardless of any support or applications information provided by ON Semiconductor. "Typical" parameters which may be provided in ON Semiconductor data sheets and/or specifications can and do vary in different applications and actual performance may vary over time. All operating parameters, including "Typicals" must be validated for each customer application by customer's technical experts. ON Semiconductor does not convey any license under its patent rights nor the rights of others. ON Semiconductor products are not designed, intended, or authorized for use as a critical component in life support systems or any FDA Class 3 medical devices or medical devices with a same or similar classification in a foreign jurisdiction or any devices intended for implantation in the human body. Should Buyer purchase or use ON Semiconductor products for any such unintended or unauthorized application, Buyer shall indemnify and hold ON Semiconductor and its officers, employees, subsidiaries, affiliates, and distributors harmless against all claims, costs, damages, and expenses, and reasonable attorney fees arising out of, directly or indirectly, any claim of personal injury or death associated with such unintended or unauthorized use, even if such claim alleges that ON Semiconductor was negligent regarding the design or manufacture of the part. ON Semiconductor is an Equal Opportunity/Affirmative Action Employer. This literature is subject to all applicable copyright laws and is not for resale in any manner.

PUBLICATION ORDERING INFORMATION

LITERATURE FULFILLMENT:

Literature Distribution Center for ON Semiconductor
19521 E. 32nd Pkwy, Aurora, Colorado 80011 USA
Phone: 303-675-2175 or 800-344-3860 Toll Free USA/Canada
Fax: 303-675-2176 or 800-344-3867 Toll Free USA/Canada
Email: orderlit@onsemi.com

N. American Technical Support: 800-282-9855 Toll Free
USA/Canada
Europe, Middle East and Africa Technical Support:
Phone: 421 33 790 2910
Japan Customer Focus Center
Phone: 81-3-5817-1050

ON Semiconductor Website: www.onsemi.com
Order Literature: <http://www.onsemi.com/orderlit>
For additional information, please contact your local
Sales Representative