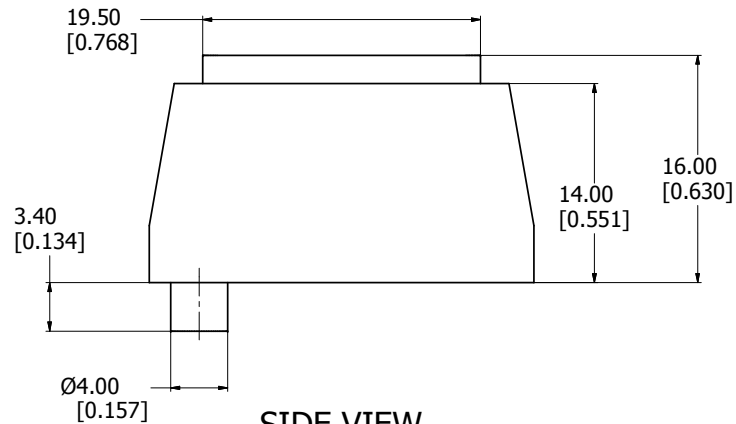
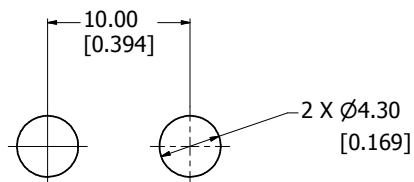


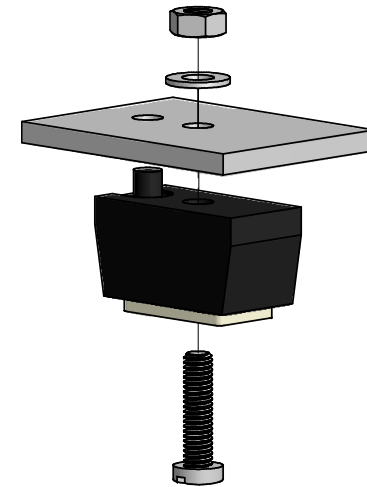
BOTTOM VIEW



SIDE VIEW



MOUNTING HOLE LOCATIONS



EXPLODED ASSEMBLY VIEW
(PLATE NOT INCLUDED)

M797-24
Foot Base - Matte Black ABS Plastic
Anti-Skid Insert - Soft Beige Rubber
Hardware
2 Screws - Cheesehead M4 x 16
4 Washers
2 Nuts - M4 Thread
**note feet sold in pairs

HM HAMMOND
MANUFACTURING™

W M797-24

Mouser Electronics

Authorized Distributor

Click to View Pricing, Inventory, Delivery & Lifecycle Information:

[Hammond:](#)

[M797-24](#)