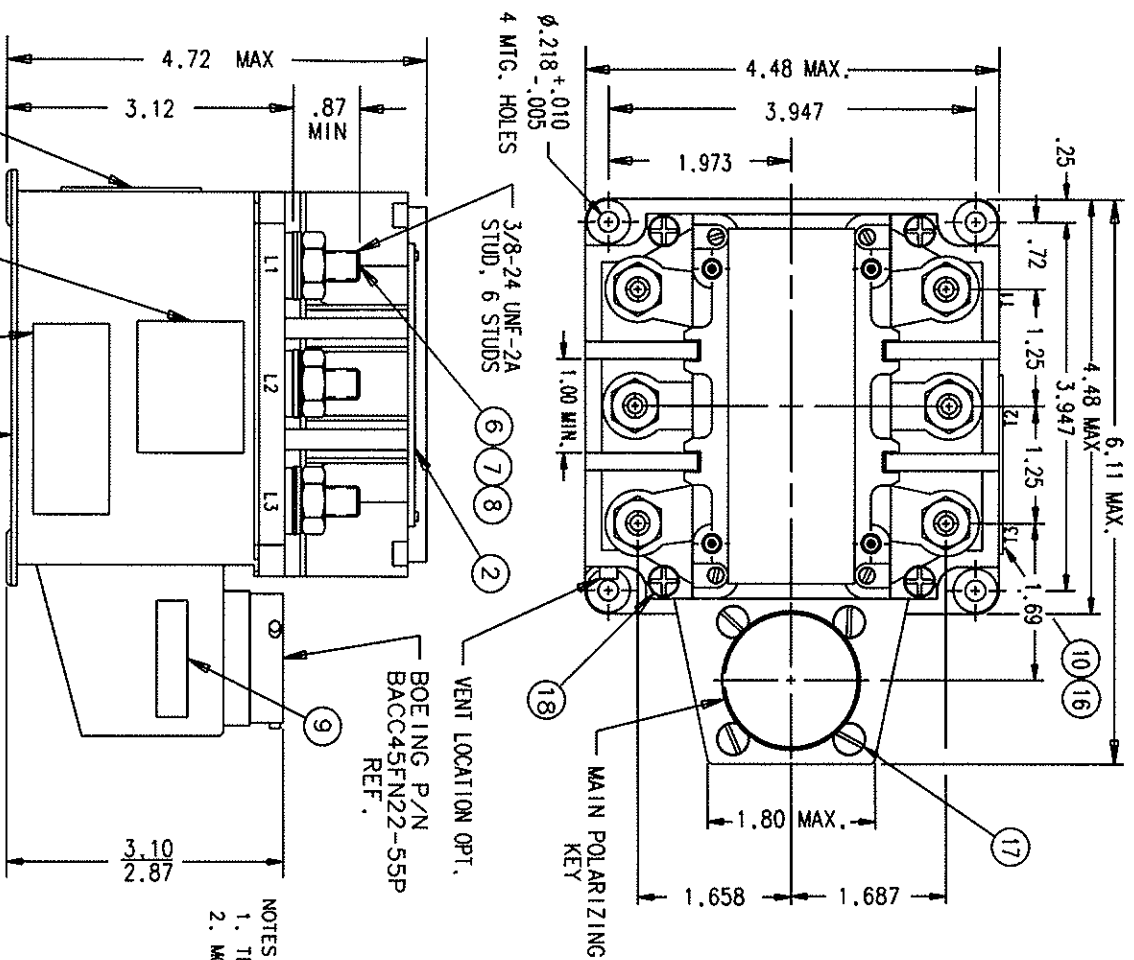


FAA-PMA



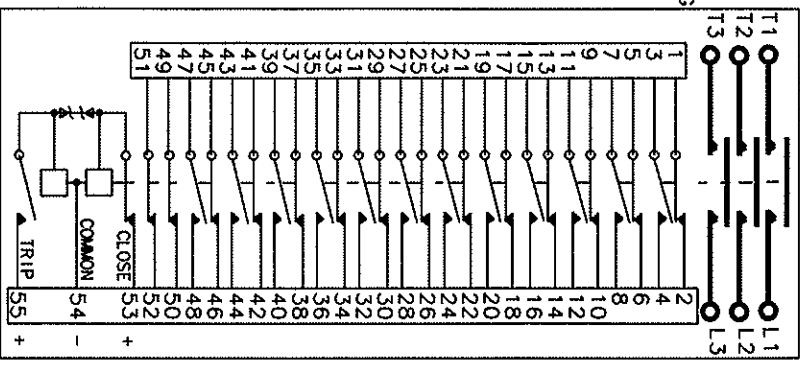
NOTES: (CONT)
 3. FAA/PMA PLATE (AND OVERLAY) NOT REQUIRED ON UNITS SUPPLIED TO ORIGINAL EQUIPMENT MANUFACTURERS.

NOTES:
 1. TERMINAL COVER, ITEM 2, REMOVED FROM TOP VIEW.
 2. MOUNTING SURFACE SHALL PROVIDE ELECTRICAL GROUND.

- CONSTRUCTION
- MAIN CONTACTS CONFIGURATION
- VOLTAGE
- CURRENT
- RES.
- INTERUPT
- AUXILIARY CONTACTS CONFIGURATION
- VOLTAGE
- CURRENT
- COIL DATA
- DUTY CYCLE
- OPERATING VOLTAGE
- CLOSE MIN.
- TRIP MAX.
- TRIP MIN.
- TRIP MAX. CLOSING
- RESISTANCE
- TRIP
- ENVIRONMENTAL DATA
- OPERATING TEMP.
- VIBRATION
- ACCELERATION
- SHOCK
- ALTITUDE
- OPERATING TIME
- CLOSE
- TRIP
- LIFE ELECTRICAL
- LIFE MECHANICAL
- WEIGHT MAX.

GASKET SEALED (VENTED)

- 3 PST (DOUBLE BREAK) MAG. LATCHING
- 115/200 VOLTS FREQ. 400 HZ
- 275 AMP 115/200 VAC CONTINUOUS
- 350 AMP 115/200 VAC 15 SEC
- 5000 AMP
- 12 SPST N.O., 14 SPST N.C.
- 115 VAC 400 HZ 28 VDC
- 7.5 AMP
- CONTINUOUS (SELF-DEENERGIZING)
- 15 VOLTS AT 85°C
- 29 VOLTS
- 15 VOLTS
- 29 VOLTS
- 5 OHMS MIN.
- 3 OHMS MIN.
- 54°C MIN., +71°C MAX.
- PER BOEING D6-13104, AREA 1, CAT. A
- MIL-E-5272 METHOD 4, 16.3
- MIL-E-5272 METHOD 4, 15.5
- 45,000 FT.
- 15 MSEC MAX. AT 22VDC TO 29VDC
- 20 MSEC MAX. AT 15VDC TO 29VDC
- 50,000 CYCLES MIN.
- 100,000 CYCLES MIN.
- 4 LBS.



FIND NO	QTY	PART OR IDENTIFYING NO	NONECLAUTURE OR DESCRIPTION	FSCAL NO	DRAWING OR SPECIFICATION	MATERIAL OR NOTE
18	AR	5A100-001	SILASTIC - BLACK			
17	AR	5A102-001	GLYPHOL			
16	1	39529-047	OVERLAY			
15	1	39529-009	OVERLAY			
14	1	39529-008	OVERLAY			
13	1	39529-007	OVERLAY			
12	1					
11						
10						
9						
8						
7						
6						
5						
4						
3						
2						
1						

FIND NO	QTY	PART OR IDENTIFYING NO	NONECLAUTURE OR DESCRIPTION	FSCAL NO	DRAWING OR SPECIFICATION	MATERIAL OR NOTE
10	1	58400-031	PLATE-FAA/PMA			
9	1	25695-001	WARNING-PLATE			
8	6	51807-230	WASHER-LOCK, .375 X .687C, .094 SPT			MS35338-141 STAINLESS STEEL
7	6	51704-010	WASHER, .390 X .625 X .032 FL.			AN960C616L STAINLESS STEEL
6	6	50407-370	NUI, 3/8-24 X, .562 X, .328			MS51972-3 STAINLESS STEEL
5	1	36805-010	CONTRACTOR ASSEMBLY-PRI			
4	1	36755-001	PLATE-WIRING DIAGRAM			
3	1	36754-001	PLATE-NAME			
2	2	36456-010	TERMINAL COVER			
1	1	36749-001	PLATE CAUTION			

UNLESS OTHERWISE SPECIFIED DIMENSIONS ARE IN INCHES
 2 PL DEC .15 PL DEC .1 ANGLE S
 .06 .010 .1

REF BOEING 60B000010-25
 HARTMAN ELECTRICAL MANUFACTURING
 MANSFIELD, OHIO

CONTACTOR-3PST MAGN. LATCH
 275 AMP, 115/200V, 400 HZ

SCALE NONE
 SIZE C
 CODE IDENT DWG NO. 74063
 SHEET B-430Z

REV	DESCRIPTION	DATE	APPROVED
3	NOTE 3 ADDED	98/05/04	RS
2	BOEING* ADDED TO VIB SPEC & CONNECTOR P/N, .43 & .92 ADDED, 4.72 MAX WAS 4.87, 4.48 MAX WAS 4.45	99/05/11	RS
1	41633, .43 & .92 REMOVED	00/02/18	RS

Mouser Electronics

Authorized Distributor

Click to View Pricing, Inventory, Delivery & Lifecycle Information:

[TE Connectivity:](#)

[B430Z](#)