

# Ledex® Box Frame Size B12 — DC Operation

Part Number: B12 - **XXX** - B-3

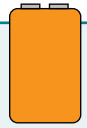
All catalog products manufactured after April 1, 2006 are RoHS Compliant

Select from performance chart below

## Specifications

Operation	Pull
Dielectric Strength	500 VRMS for one second
Continuous Duty Cycle	100% at 20°C ambient temperature
Intermittent Duty Cycle	See below
Minimum Heat Sink	None
Holding Force	7.7 oz. (2.1 N) at 20°C
Coil Insulation	Class "A": 105°C max. temperature standard. Other temperature classes are available
Coil Termination	10" PVC leads
Plunger Weight	0.05 oz. (1.4 g)
Total Weight	0.30 oz. (8.5 g)
Dimensions	See page H35

● Well-suited for battery operation.



See the "Battery Operated Solenoids" section for complete information.

## Performance

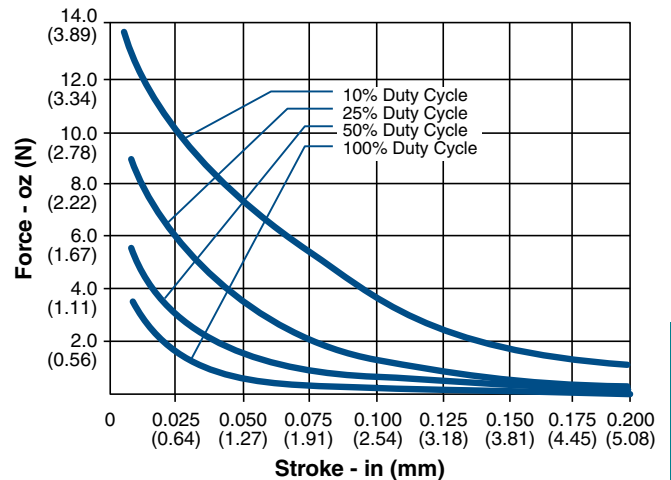
Maximum Duty Cycle	100%	50%	25%	10%
Maximum ON Time (sec) when pulsed continuously	∞	84	11	2
Maximum ON Time (sec) for single pulse	∞	120	34	8
Watts (@ 20°C)	1.3	2.6	5.2	13
Ampere Turns (@ 20°C)	178	251	355	561

Part Number	Resistance (@20°C)	Ref # Turns	VDC			
			(Nom)	(Nom)	(Nom)	(Nom)
B12-258-B-3	6.92	417	3	4.24	6	9.5
B12-255-B-3	27.7	824	6	8.5	12	19
B12-256-B-3	62.3	1184	9	13	18	28.5
B12-254-B-3	110.8	1632	12	17	24	38
B12-253-B-3	443.1	3336	24	34	48	76

### NOTES:

- All data is typical.
- Force testing is done with the solenoid in the horizontal position.
- All data reflects operation with no heat sink.
- Pull versions standard; push versions available.

## Typical Force @ 20°C



## How to Order

Select the part number from the table provided. (For example, to order a 25% duty cycle unit rated at 48 VDC, specify B12-255-B-3.

Please see [www.ledex.com](http://www.ledex.com) (click on Stock Products tab) for our list of stock products available through our North American distributors.

Force values for reference only.

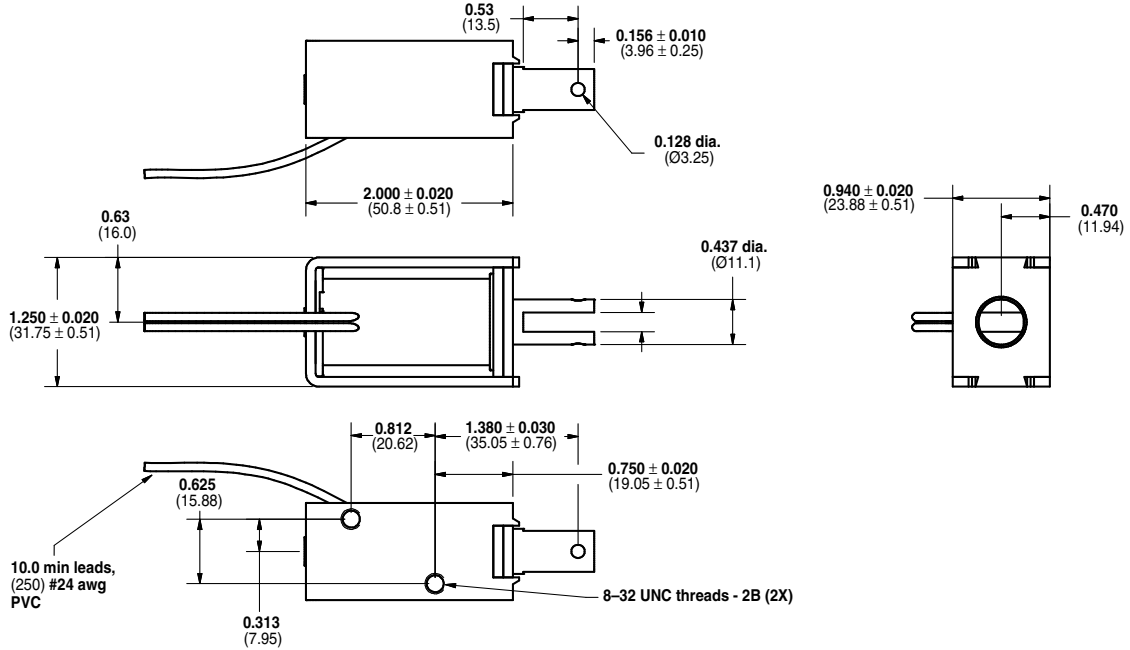
All specifications subject to change without notice.

# Ledex® Box Frame Dimensions

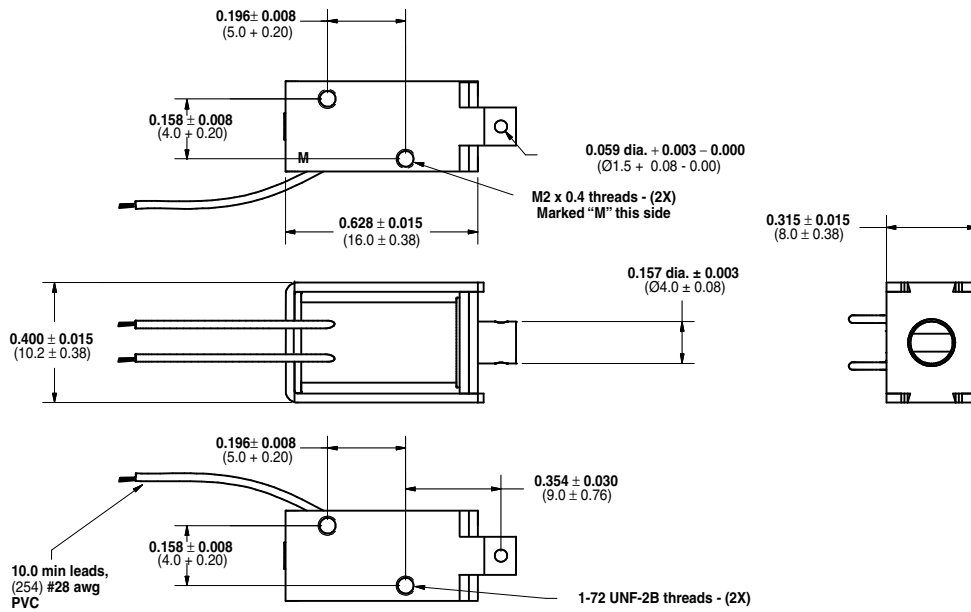
Inches (mm)

All solenoids are illustrated in energized state

## B11HD



## B12



All specifications subject to change without notice.