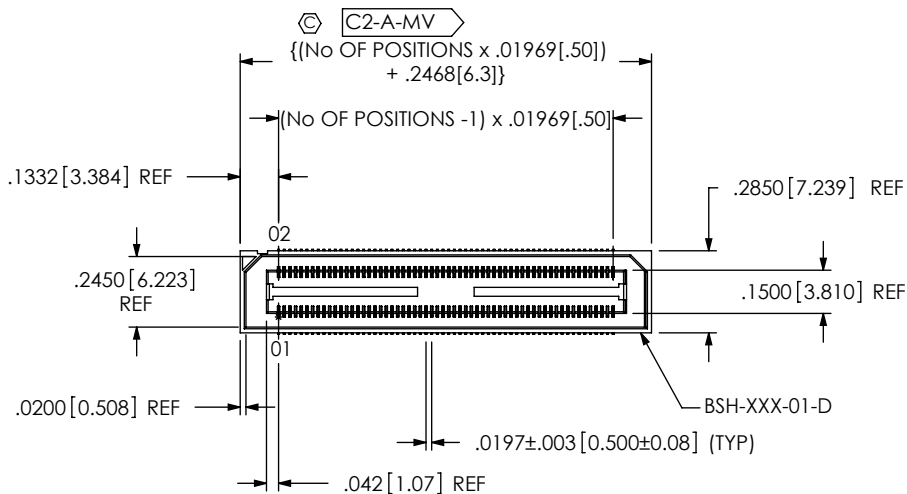


DO NOT SCALE FROM THIS PRINT

**BSH-XXX-01-X-D-XX-XX**



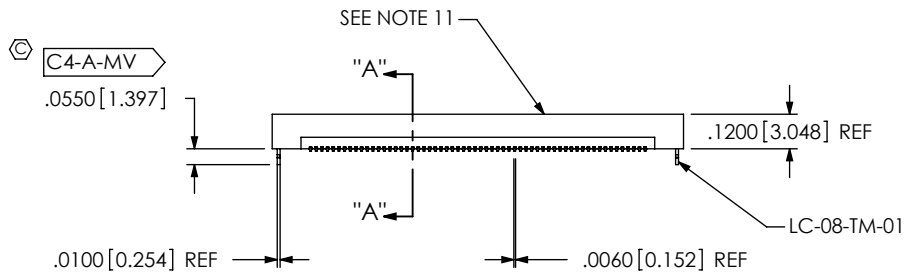
No OF POSITIONS  
-030, -40, -050, -060, -090,  
\*\*-120, \*\*-150, \*-180  
(PER ROW)  
\*\*= SEE NOTE 10  
LEAD STYLE  
-01: .1280 [3.25]

OPTION  
-TR: TAPE & REEL  
(120 POSITION MAX)  
OPTION  
-A: ALIGNMENT PINS  
(USE BSH-XXX-01-D-A)  
-LC: LOCKING CLIPS  
(USE LC-08-TM-01) (SEE NOTE 13)  
ROW SPECIFICATION  
-D: DOUBLE (USE BSH-XXX-01-D)

**PLATING SPECIFICATION**

-F: 3μ" FLASH SELECTIVE GOLD IN CONTACT AREA, MATTE TIN ON TAILS (SEE NOTES 7, 9 & 12)  
-L: 10μ" LIGHT SELECTIVE GOLD IN CONTACT AREA, MATTE TIN ON TAILS (SEE NOTE 9 & 12)  
-H: 30μ" HEAVY GOLD IN CONTACT AREA, 3μ" ON TAILS (SEE NOTE 9 & 12)  
-C: 50μ" ELECTRO-POLISHED SELECTIVE IN CONTACT AREA, MATTE TIN ON TAILS (SEE NOTE 9 & 12)

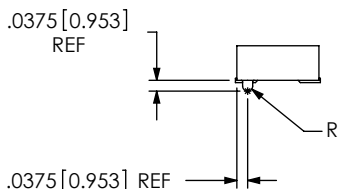
\* = NOT RELEASED FOR PRODUCTION



-LC: LOCKING CLIP OPTION SHOWN

SEE NOTE 11

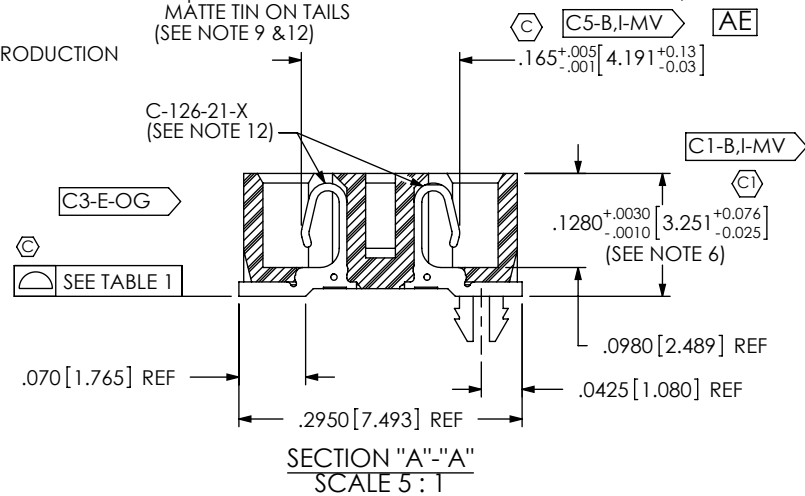
BSH-XXX-01-D-A



.0375 [0.953] REF  
NOTES:

1. **XXX-XX** REPRESENTS A CRITICAL DIMENSION.
2. NOTE DELETED.
3. BURR ALLOWANCE: .0015 [0.38] MAX.
4. MINIMUM PUSHOUT FORCE: 6 OZ.
5. MAXIMUM ALLOWABLE BOW: .002 [.051] INCH/INCH AFTER ASSEMBLY.
6. MAX VARIANCE OF .002 [.051]
7. -L PLATING CAN BE SUBSTITUTED FOR -F PLATING.
8. ASP-65067-01 IS A BSH-050-01-L-D-A. WITH OR WITHOUT -TR.
9. MAY SUBSTITUTE C-126-01-X FOR C-126-21-X.
10. FOR NEWAPPLICATIONS REQUIRING THESE POSITIONS, PLEASE CONTACT SAMTEC INTERCONNECT PROCESSING GROUP.
11. SIDE WALLS MAY BE RIBBED TO AVOID BOW
12. -090, -120, -150 & \*-180 POSITION PARTS USE C-269-11-X. DO NOT SUB C-126-XX-X.
13. DUE TO THE HIGH AMOUNT OF INSERTION FORCE NEEDED, THE -LC OPTION IS NOT COMPATIBLE WITH AUTO PLACEMENT. SAMTEC RECOMMENDS MANUAL PLACEMENT FOR ALL ASSEMBLIES WITH THE -LC OPTION.

-A: ALIGNMENT PIN OPTION SHOWN



SECTION "A"-A"  
SCALE 5 : 1

TABLE 1	
NO OF POSITIONS	COPLANARITY
-030 THRU -060	.004 [.10]
-090	.0055 [.14]
-120 THRU -180	.006 [.15]

CRITICAL DIMENSION INSPECTION INSTRUCTION TABLE	
ASSEMBLY OPERATION	IN-PROCESS INSPECTION INSPECT CODE B
FILL C-126-21-X	C1, C2, C5
ADD -LC OPTION	C4

UNLESS OTHERWISE SPECIFIED, DIMENSIONS ARE IN INCHES.  
TOLERANCES ARE:  
DECIMALS ANGLES  
.XX: ±.01 [.25] 2°  
.XXX: ±.005 [.13]  
.XXXX: ±.0020 [.050]

**PROPRIETARY NOTE**  
THIS DOCUMENT CONTAINS INFORMATION CONFIDENTIAL AND PROPRIETARY TO SAMTEC, INC. AND SHALL NOT BE REPRODUCED OR TRANSFERRED TO OTHER DOCUMENTS OR DISCLOSED TO OTHERS OR USED FOR ANY PURPOSE OTHER THAN THAT WHICH IT WAS OBTAINED WITHOUT THE EXPRESSED WRITTEN CONSENT OF SAMTEC, INC.



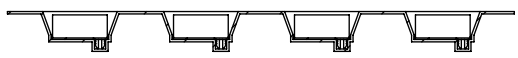
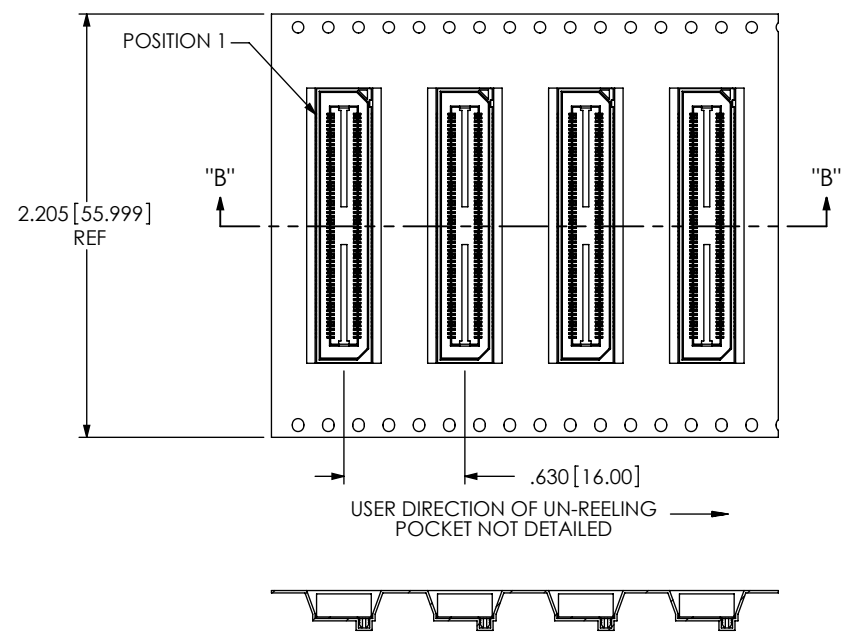
520 PARK EAST BLVD. NEW ALBANY, IN 47150  
PHONE: 812-944-6733 FAX: 812-948-5047  
e-Mail: info@SAMTEC.com code 55322

**MATERIAL:** DO NOT SCALE DRAWING SHEET SCALE: 1:0.6644  
FLAMMABILITY RATING: UL 94V-O  
INSULATOR: BLACK LCP  
CONTACT: PHOS BRONZE

**DESCRIPTION:**  
.75mm DOUBLE ROW SOCKET ASSEMBLY

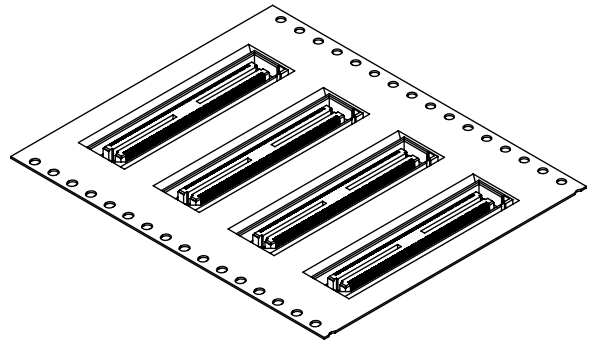
DWG. NO. **BSH-XXX-01-X-D-XX-XX**

BY: DEAN P 06/08/1999 SHEET 1 OF 2

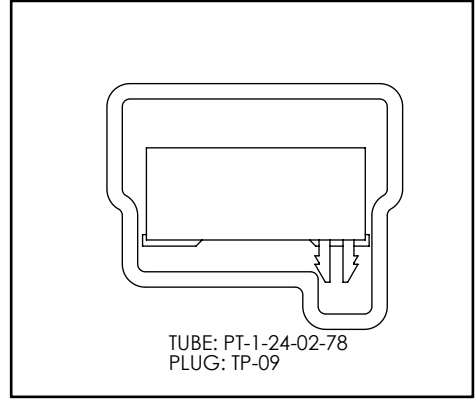


SECTION "B"-"B"  
SCALE 1 : 1

TAPE AND REEL PACKAGING VIEW



TUBE PACKAGING VIEW  
[PARTS TO HAVE POSITION #1 LOADED  
IN SAME DIRECTION AS ARROW]



TUBE: PT-1-24-02-78  
PLUG: TP-09

**PROPRIETARY NOTE**  
THIS DOCUMENT CONTAINS INFORMATION  
CONFIDENTIAL AND PROPRIETARY TO  
SAMTEC, INC. AND SHALL NOT BE REPRODUCED  
OR TRANSFERRED TO OTHER DOCUMENTS OR  
DISCLOSED TO OTHERS OR USED FOR ANY  
PURPOSE OTHER THAN THAT WHICH IT WAS  
OBTAINED WITHOUT THE EXPRESSED WRITTEN  
CONSENT OF SAMTEC, INC.

DO NOT SCALE DRAWING

SHEET SCALE: 1.5:1



520 PARK EAST BLVD., NEW ALBANY, IN 47150  
PHONE: 812-944-6733 FAX: 812-948-5047  
e-Mail: info@SAMTEC.com code 55322

DESCRIPTION:  
.5mm DOUBLE ROW SOCKET ASSEMBLY

DWG. NO. BSH-XXX-01-X-D-XX-XX

BY: DEAN P 06/08/1999 SHEET 2 OF 2