

LITHIUM - Coin Type: High Operating Temperature

Panasonic's coin type high operating temperature lithium batteries are high energy, high reliability batteries for applications that require a wider operating temperature range. The full 3 volts in these high energy density batteries is about twice that of conventional dry batteries.



These batteries are for applications exposed to extended temperature ranges and harsh operating conditions.

Features:

- A wide operational temperature range: -40°C (-40°F) ~ 125°C (257°F)
- Good storage stability (max. 0.5% loss at ambient T°)
- Constant operating voltage
- Excellent leakage resistance
- Available with tab terminals for PCB mounting

Applications:

- Automotive electric systems
- Tollway transponders
- RFID

Technical Data - High Temperature Coin Cell

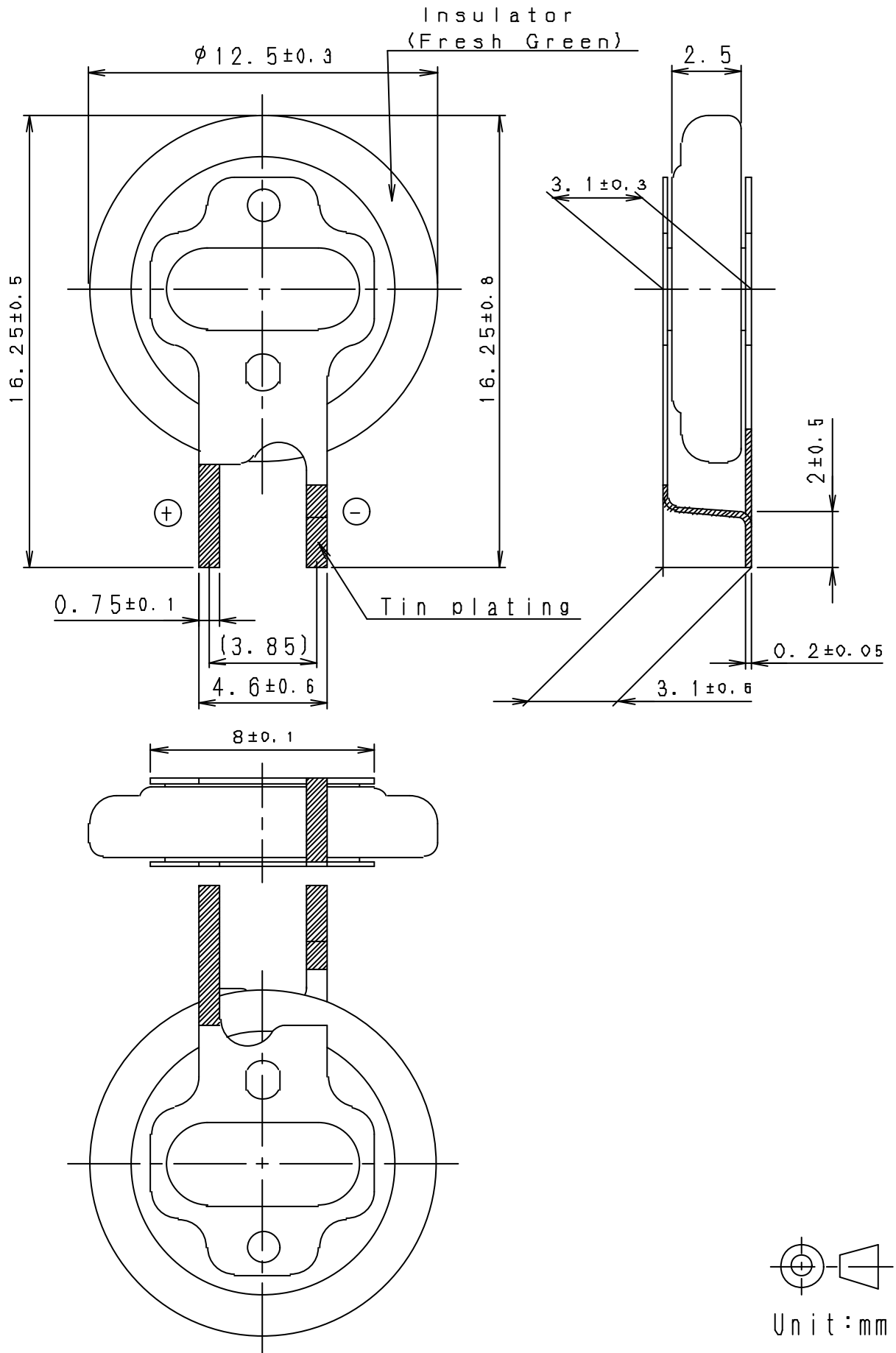
| Model Number | Nominal Voltage (V) | Nominal Capacity (mAh) | Dimensions (mm) | | Basic Battery Weight (g) | Tab Configurations |
|--------------------------------------|---------------------|------------------------|-------------------|--------|--------------------------|--------------------|
| | | | External Diameter | Height | | |
| BR1225A | 3 | 48 | 12.5 | 2.5 | 0.8 | |
| BR1632A | 3 | 120 | 16.0 | 3.2 | 1.5 | |
| BR2330A | 3 | 255 | 23.0 | 3.0 | 3.2 | |
| BR2450A ¹ | 3 | 550 | 24.5 | 5.0 | 5.0 | |

| | | | | | |
|-------------------------|---|------|------|-----|-----|
| BR2477A | 3 | 1000 | 24.5 | 7.7 | 8.0 |
|-------------------------|---|------|------|-----|-----|

1. Please contact Panasonic for the latest information on this model.

Technical Data - Table 2 - Tab Configurations and Distributor Inventory

| Model No. | Tab Description Drawing | |
|----------------------------|--|--|
| BR1225A/FA | 2 Pin, flat mount (with insulation wrap) | |
| BR1225A/HB | 2 Pin, horizontal mount, through holes, (with insulation wrap) | |
| BR1632A/FA | 2 Pin, flat mount (with insulation wrap) | |
| BR1632A/GA | 3 Pin, horizontal mount, through hole, (w/o insulation wrap) | |
| BR1632A/HA | 2 Pin, horizontal mount , through hole, (with insulation wrap) | |
| BR1632A/VA | 2 Pin, vertical mount , through hole, (with insulation wrap) | |
| BR2330A/FA | 2 Pin, flat mount (with insulation wrap) | |
| BR2330A/GA | 3 Pin, horizontal mount, through hole, (w/o insulation wrap) | |
| BR2330A/HD | 2 Pin, horizontal mount , through hole, (with insulation wrap) | |
| BR2330A/VA | 2 Pin, vertical mount, through hole, (with insulation wrap) | |
| BR2477A/FB | 2 Pin, flat mount, (with insulation wrap) | |
| BR2477A/GA | 3 Pin, horizontal mount, through hole, (with insulation wrap) | |
| BR2477A/HB | 2 Pin, horizontal mount, through hole, (with insulation wrap) | |
| BR2477A/VA | 2 Pin, vertical mount, through hole, (with insulation wrap) | |



| | | | | | | | |
|-------|---|-------|----------|---------|----------|------|------------|
| Scale | 5 | Drawn | Designed | Checked | Approved | Name | BR1225A/FA |
| | 1 | | | | | No. | PS-B12580 |