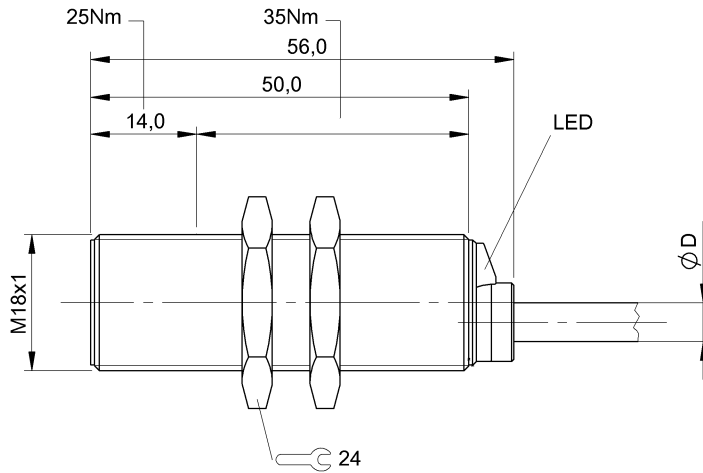


**BES M18MI-PSC80B-BV03**  
**Order code: BES008F**

Inductive sensor  
**GLOBALPROX**  
**M18x1 x 56.0 mm**

DC, direct current  
 PNP / Normally open (NO)  
 Sn = 8.00 mm  
 Flush (shielded) ■■

**BALLUFF**  
*sensors worldwide*



**Sensing data**

Eff. operating distance Sr	8.00 mm
Tolerance Sr	±10 %
Assured operating distance Sa	6.40 mm
Hysteresis H max. (in % of Sr)	15.0 %
Repeat accur. R max. (% of Sr)	5.0 %
Ambient temperature Ta min.	-25 °C
Ambient temperature Ta max.	70 °C
Temp. drift max. (% of Sr)	10%
Switching freq. f max. (at Ue)	150 Hz
Ready delay tv max.	30 ms
Utilization category	DC 13
Function indicator	Yes
Power indicator	No

**Electrical data**

Eff. operating voltage Ue DC	24.0 V
Operating voltage UB min. DC	12.0 V
Operating voltage UB max. DC	30.0 V
Ripple max. (% of Ue)	15 %
Voltage drop static max.	2.5 V
Rated insulation voltage Ui	250 AC
Eff. operating current Ie	200 mA
Minimum operating current Im	0 mA
No-load current Io damped	15.0 mA
No-load current Io undamped	8.0 mA
Off-state current Ir max.	20 µA
Short circuit protected	Yes
Protected against miswiring	Yes
Polarity reversal protected	Yes
Rated short circuit current	100 A
Output resistance Ra	33.0k + D

Load capacitance max. (at Ue) 1.000 µF

**Mechanical data**

Housing material	CuZn
Surface protection	Nickel-plated
Tightening torque	25 Nm / 35 Nm
Sensing face material	PA 12
Mounting length	50.0 mm
Connection type	Cable
Cable jacket material	PVC
Cable diameter D max.	4.6 mm
Cable short description	LiY-Y-O
Cable length	3.00 m
Number of conductors	3
Conductor cross-section	0.34 mm <sup>2</sup>
Enclosure Type per IEC 60529	IP68 according to BWN Pr 20
Protection Class	II
Shock rating	Shock, half-sinus, 30 gn, 11ms
Vibration rating	55 Hz, 1 mm ampl., 3x30 min
Degree of contamination	3

**Approval**

Approvals	CE cULus
-----------	-------------

**Remarks**

The sensor is functional again after the overload has been eliminated.  
 Embeddable: See installation notes for inductive sensors with extended switching distance 825357.  
 Basic standard IEC 60947-5-2

000000111880/127016/20100804



**BES M18MI-PSC80B-BV03**  
**Order code: BES008F**

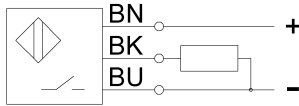
Inductive sensor  
GLOBALPROX  
M18x1 x 56.0 mm

DC, direct current  
PNP / Normally open (NO)  
Sn = 8.00 mm  
Flush (shielded) ■■

**BALLUFF**  
*sensors worldwide*

Definitions see general catalog

Subject to change without notice.



000000111880/127016/20100804