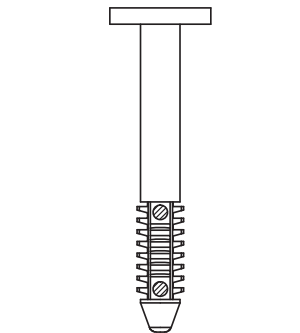
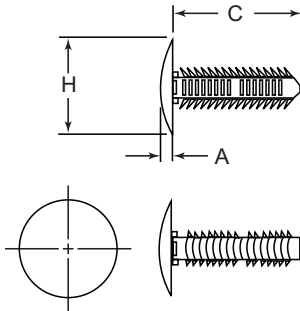
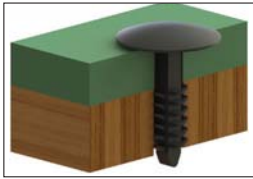




**XT/RBF/BHF/PFP Series  
Xmas Tree Clip Fastener**



**Typical BHF Configurations**

**Specifications:**

- Material: Nylon 6/6
- Color: Black
- Flame Class: UL94V-2

**Features:**

- Ribbed design ensures fast & easy installation while securely holding into various materials like wood, metal, foam, rubber, & plastic
- When pushed into a hole the flexible ribs deflect then spring back to lock securely in place

Item No.	Hole Dia.		Panel Thickness		H		C		A		Pack Qty.
	In	mm	In	mm	In	mm	In	mm	In	mm	
XT1250125A	0.125	3.2	0.062 - 0.125	1.6 - 3.2	0.344	8.7	0.208	5.3	0.062	1.6	1,000
XT1250250A	0.125	3.2	0.062 - 0.250	1.6 - 6.4	0.344	8.7	0.321	8.2	0.062	1.6	1,000
XT1250375A	0.125	3.2	0.062 - 0.375	1.6 - 9.5	0.344	8.7	0.458	11.6	0.062	1.6	1,000
PFP-7-01	0.139	3.5	0.250 Min.	6.4 Min.	0.400	10.2	0.280	7.1	0.050	1.3	1,000
RBF-4-8-6-8	0.157	4.0	0.080 - 0.170	2.1 - 4.3	0.315	8.0	0.339	8.6	0.039	1.0	1,000
RBF-4-8-6-12	0.157	4.0	0.080 - 0.170	2.1 - 4.3	0.472	12.0	0.339	8.6	0.059	1.5	1,000
RBF-4-8-6-16	0.157	4.0	0.080 - 0.170	2.1 - 4.3	0.630	16.0	0.339	8.6	0.079	2.0	1,000
RBF-4-11-1-8	0.157	4.0	0.080 - 0.280	2.1 - 7.2	0.315	8.0	0.437	11.1	0.039	1.0	1,000
RBF-4-11-1-12	0.157	4.0	0.080 - 0.280	2.1 - 7.2	0.472	12.0	0.437	11.1	0.059	1.5	1,000
RBF-4-11-1-16	0.157	4.0	0.080 - 0.280	2.1 - 7.2	0.630	16.0	0.437	11.1	0.079	2.0	1,000
RBF-4-15-8	0.157	4.0	0.220 - 0.420	5.7 - 10.7	0.315	8.0	0.591	15.0	0.039	1.0	1,000
RBF-4-15-12	0.157	4.0	0.220 - 0.420	5.7 - 10.7	0.472	12.0	0.591	15.0	0.059	1.5	1,000
RBF-4-15-16	0.157	4.0	0.220 - 0.420	5.7 - 10.7	0.630	16.0	0.591	15.0	0.079	2.0	1,000
BHF-1	0.187	4.8	0.035 - 0.385	0.9 - 9.8	0.435	11.0	0.560	14.2	0.070	1.8	1,000
BHF-2	0.187	4.8	0.125 - 0.475	3.2 - 12.1	0.435	11.0	0.650	16.5	0.070	1.8	1,000
BHF-3	0.187	4.8	0.425 - 0.775	10.8 - 19.7	0.435	11.0	0.950	24.1	0.070	1.8	1,000
BHF-4	0.187	4.8	0.800 - 1.150	20.3 - 29.2	0.435	11.0	1.330	33.7	0.070	1.8	1,000
RBF-4-8-8-6-8	0.188	4.8	0.080 - 0.170	2.1 - 4.3	0.315	8.0	0.339	8.6	0.039	1.0	1,000
RBF-4-8-8-6-12	0.188	4.8	0.080 - 0.170	2.1 - 4.3	0.472	12.0	0.339	8.6	0.059	1.5	1,000
RBF-4-8-8-6-16	0.188	4.8	0.080 - 0.170	2.1 - 4.3	0.630	16.0	0.339	8.6	0.079	2.0	1,000
XT1880250A	0.188	4.8	0.062 - 0.250	1.6 - 6.4	0.500	12.7	0.348	8.8	0.078	2.0	1,000
RBF-4-8-11-1-8	0.188	4.8	0.080 - 0.280	2.1 - 7.2	0.315	8.0	0.437	11.1	0.039	1.0	1,000
RBF-4-8-11-1-12	0.188	4.8	0.080 - 0.280	2.1 - 7.2	0.472	12.0	0.437	11.1	0.059	1.5	1,000
RBF-4-8-11-1-16	0.188	4.8	0.080 - 0.280	2.1 - 7.2	0.630	16.0	0.437	11.1	0.079	2.0	1,000
XT1880375A	0.188	4.8	0.062 - 0.375	1.6 - 9.5	0.500	12.7	0.473	12.0	0.078	2.0	1,000
RBF-4-8-15-8	0.188	4.8	0.220 - 0.420	5.7 - 10.7	0.315	8.0	0.591	15.0	0.039	1.0	1,000
RBF-4-8-15-12	0.188	4.8	0.220 - 0.420	5.7 - 10.7	0.472	12.0	0.591	15.0	0.059	1.5	1,000
RBF-4-8-15-16	0.188	4.8	0.220 - 0.420	5.7 - 10.7	0.630	16.0	0.591	15.0	0.079	2.0	1,000
XT1880500A	0.188	4.8	0.062 - 0.500	1.6 - 12.7	0.500	12.7	0.598	15.2	0.078	2.0	1,000
XT1880625A	0.188	4.8	0.062 - 0.625	1.6 - 15.9	0.500	12.7	0.723	18.4	0.078	2.0	1,000
XT1880750A	0.188	4.8	0.062 - 0.750	1.6 - 19.1	0.500	12.7	0.848	21.5	0.078	2.0	1,000
RBF-6-4-8-6-8	0.250	6.4	0.080 - 0.170	2.1 - 4.3	0.315	8.0	0.339	8.6	0.039	1.0	1,000
RBF-6-4-8-6-12	0.250	6.4	0.080 - 0.170	2.1 - 4.3	0.472	12.0	0.339	8.6	0.059	1.5	1,000
RBF-6-4-8-6-16	0.250	6.4	0.080 - 0.170	2.1 - 4.3	0.630	16.0	0.339	8.6	0.079	2.0	1,000
XT2500250A	0.250	6.4	0.062 - 0.250	1.6 - 6.4	0.700	17.8	0.391	9.9	0.100	2.5	1,000
RBF-6-4-11-1-8	0.250	6.4	0.080 - 0.280	2.1 - 7.2	0.315	8.0	0.437	11.1	0.039	1.0	1,000
RBF-6-4-11-1-12	0.250	6.4	0.080 - 0.280	2.1 - 7.2	0.472	12.0	0.437	11.1	0.059	1.5	1,000
RBF-6-4-11-1-16	0.250	6.4	0.080 - 0.280	2.1 - 7.2	0.630	16.0	0.437	11.1	0.079	2.0	1,000
XT2500375A	0.250	6.4	0.062 - 0.375	1.6 - 9.5	0.700	17.8	0.506	12.9	0.100	2.5	1,000
BHF-5	0.250	6.4	0.035 - 0.335	0.9 - 8.5	0.650	16.5	0.590	15.1	0.070	1.8	1,000
RBF-6-4-15-8	0.250	6.4	0.220 - 0.420	5.7 - 10.7	0.315	8.0	0.591	15.0	0.039	1.0	1,000
RBF-6-4-15-12	0.250	6.4	0.220 - 0.420	5.7 - 10.7	0.472	12.0	0.591	15.0	0.059	1.5	1,000
RBF-6-4-15-16	0.250	6.4	0.220 - 0.420	5.7 - 10.7	0.630	16.0	0.591	15.0	0.079	2.0	1,000
XT2500500A	0.250	6.4	0.062 - 0.500	1.6 - 12.7	0.700	17.8	0.630	16.0	0.100	2.5	1,000
BHF-6	0.250	6.4	0.095 - 0.395	2.4 - 10.0	0.650	16.5	0.650	16.6	0.070	1.8	1,000
XT2500625A	0.250	6.4	0.062 - 0.625	1.6 - 15.9	0.700	17.8	0.755	19.2	0.100	2.5	1,000
BHF-7	0.250	6.4	0.325 - 0.625	8.3 - 15.9	0.650	16.5	0.880	22.5	0.070	1.8	1,000
XT2500750A	0.250	6.4	0.062 - 0.750	1.6 - 19.1	0.700	17.8	0.880	22.4	0.100	2.5	1,000
XT2500875A	0.250	6.4	0.062 - 0.875	1.6 - 22.2	0.700	17.8	1.004	25.5	0.100	2.5	1,000
BHF-8	0.250	6.4	0.525 - 0.825	13.3 - 21.0	0.650	16.5	1.080	27.6	0.070	1.8	1,000
XT2501000A	0.250	6.4	0.062 - 1.000	1.6 - 25.4	0.700	17.8	1.120	28.4	0.100	2.5	1,000
XT2501250A	0.250	6.4	0.062 - 1.250	1.6 - 31.8	0.700	17.8	1.380	35.1	0.100	2.5	1,000
XT2501500A	0.250	6.4	0.062 - 1.500	1.6 - 38.1	0.700	17.8	1.632	41.5	0.100	2.5	1,000
XT2501750A	0.250	6.4	0.062 - 1.750	1.6 - 44.45	0.700	17.8	1.882	47.8	0.100	2.5	1,000
XT2502000A	0.250	6.4	0.062 - 2.000	1.6 - 50.8	0.787	20.0	2.132	54.2	0.100	2.5	1,000
XT2810250A	0.281	7.1	0.062 - 0.250	1.6 - 6.4	0.787	20.0	0.384	9.8	0.100	2.5	1,000
RBF-7-1-11-1-8	0.281	7.1	0.080 - 0.280	2.1 - 7.2	0.315	8.0	0.437	11.1	0.039	1.0	1,000
RBF-7-1-11-1-12	0.281	7.1	0.080 - 0.280	2.1 - 7.2	0.472	12.0	0.437	11.1	0.059	1.5	1,000
RBF-7-1-11-1-16	0.281	7.1	0.080 - 0.280	2.1 - 7.2	0.630	16.0	0.437	11.1	0.079	2.0	1,000
XT2810375A	0.281	7.1	0.062 - 0.375	1.6 - 9.5	0.787	20.0	0.515	13.1	0.100	2.5	1,000
RBF-7-1-15-8	0.281	7.1	0.150 - 0.420	3.8 - 10.7	0.315	8.0	0.591	15.0	0.039	1.0	1,000
RBF-7-1-15-12	0.281	7.1	0.150 - 0.420	3.8 - 10.7	0.472	12.0	0.591	15.0	0.059	1.5	1,000
RBF-7-1-15-16	0.281	7.1	0.150 - 0.420	3.8 - 10.7	0.630	16.0	0.591	15.0	0.079	2.0	1,000
XT2810500A	0.281	7.1	0.062 - 0.500	1.6 - 12.7	0.787	20.0	0.642	16.3	0.100	2.5	1,000
BHF-9	0.281	7.1	0.075 - 0.475	1.9 - 12.1	0.650	16.5	0.740	18.7	0.063	1.6	1,000
RBF-7-1-19-8	0.281	7.1	0.270 - 0.560	6.9 - 14.2	0.315	8.0	0.748	19.0	0.039	1.0	1,000
RBF-7-1-19-12	0.281	7.1	0.270 - 0.560	6.9 - 14.2	0.472	12.0	0.748	19.0	0.059	1.5	1,000
RBF-7-1-19-16	0.281	7.1	0.270 - 0.560	6.9 - 14.2	0.630	16.0	0.748	19.0	0.079	2.0	1,000
XT2810625A	0.281	7.1	0.062 - 0.625	1.6 - 15.9	0.787	20.0	0.767	19.5	0.100	2.5	1,000
XT2810750A	0.281	7.1	0.062 - 0.750	1.6 - 19.1	0.787	20.0	0.894	22.7	0.100	2.5	1,000
XT2810875A	0.281	7.1	0.062 - 0.875	1.6 - 22.2	0.787	20.0	1.021	25.9	0.100	2.5	1,000
BHF-10	0.281	7.1	0.475 - 0.875	12.1 - 22.2	0.650	16.5	1.140	28.8	0.063	1.6	1,000
XT2811000A	0.281	7.1	0.062 - 1.000	1.6 - 25.4	0.787	20.0	1.147	29.1	0.100	2.5	1,000
BHF-11	0.281	7.1	0.075 - 1.025	1.9 - 26.0	0.650	16.5	1.280	32.6	0.063	1.6	1,000
XT2811250A	0.281	7.1	0.062 - 1.250	1.6 - 31.8	0.787	20.0	1.401	35.6	0.100	2.5	1,000
BHF-12	0.281	7.1	0.275 - 1.225	7.0 - 31.1	0.650	16.5	1.480	37.7	0.063	1.6	1,000
XT2811500A	0.281	7.1	0.062 - 1.500	1.6 - 38.1	0.787	20.0	1.651	41.9	0.100	2.5	1,000
BHF-13	0.281	7.1	0.575 - 1.525	14.6 - 38.7	0.650	16.5	1.780	45.3	0.063	1.6	1,000
XT2811750A	0.281	7.1	0.062 - 1.750	1.6 - 44.5	0.787	20.0	1.901	48.3	0.100	2.5	1,000
BHF-14	0.281	7.1	0.775 - 1.725	19.7 - 43.8	0.650	16.5	2.000	50.8	0.063	1.6	1,000
XT2812000A	0.281	7.1	0.062 - 2.000	1.6 - 50.8	0.787	20.0	2.153	54.7	0.100	2.5	1,000
XT3120250A	0.312	7.9	0.062 - 0.250	1.6 - 6.35	0.874	22.2	0.410	10.4	0.100	2.5	1,000
XT3120375A	0.312	7.9	0.062 - 0.375	1.6 - 9.53	0.874	22.2	0.529	13.4	0.100	2.5	1,000
XT3120625A	0.312	7.9	0.062 - 0.625	1.6 - 15.9	0.874	22.2	0.783	19.9	0.100	2.5	1,000
XT3120750A	0.312	7.9	0.062 - 0.750	1.6 - 19.1	0.874	22.2	0.894	22.7	0.100	2.5	1,000
XT3120875A	0.312	7.9	0.062 - 0.875	1.6 - 22.2	0.874	22.2	1.036	26.3	0.100	2.5	1,000
XT31210											