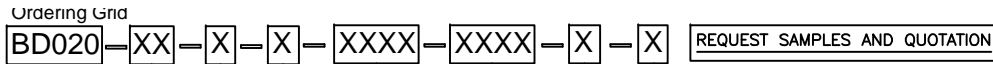
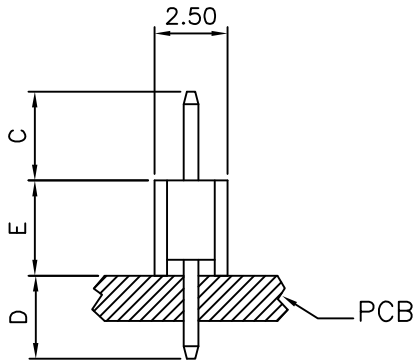
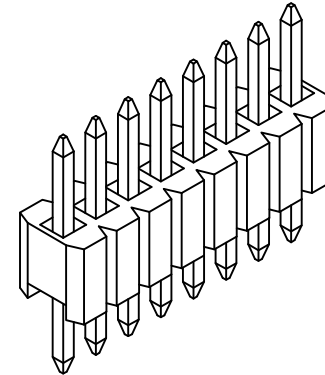


RECOMMENDED PCB LAYOUT



SPECIFICATIONS 规格:

CURRENT RATING 电流额定值: 1 AMP
 INSULATOR RESISTANCE 绝缘电阻值: 1000 MEGOHMS MIN.
 DIELECTRIC WITHSTANDING 耐电压: AC 300 V
 CONTACT RESISTANCE 接触电阻值: 20mΩ Max.
 OPERATING TEMPERATURE 工作温度: -40°C TO +105°C
 CONTACT MATERIAL 端子物料: COPPER ALLOY
 INSULATOR MATERIAL 绝缘体物料:
 STANDARD 标准物料: POLYESTER 聚酯, LCP, UL 94-V0
 OPTIONS 可选物料: POLYAMIDE 聚酰胺, NYLON 6T, UL 94-V0
 SOLDERING PROCESS 可焊性:
 LCP (STANDARD 标准物料) -
 IR REFLOW 回流焊: 260°C for 10 sec.
 WAVE 波峰焊: 250°C for 5-10 sec
 MANUAL SOLDER 人工焊接: 350°C for 3-5 sec
 NYLON 6T (OPTION 可选物料) -
 IR REFLOW 回流焊: 260°C for 10 sec.
 WAVE 波峰焊: 230°C for 5-10 sec.
 MANUAL SOLDER 人工焊接: 350°C for 3-5sec

No. of Contacts
02 to 50

Contact Plating
 A = Gold Flash All Over
 B = Selective Gold Flash Contact Area/
 Tin On Tail
 C = Tin All Over
 G = 10µ" Gold Contact Area/Tin On Tail
 I = 30µ" Gold Contact Area/Tin On Tail
Standard = Gold Flash All Over

Insulator Height E
 J = 1.40mm
 G = 1.70mm
 E = 2.54mm
 F = 3.0mm
Standard = 1.40mm

Dimension C (1/100mm)
 (Post Height)
Standard - 3.50mm = 0350
 or specify Dimension C
 e.g. 2.50mm = 0250
 Tol +/- 0.2mm

Packing Options
G = Plastic Box (Standard)
 D = Tube
 E = Tube with Cap

Insulator Material
L = LCP (Standard)
 N = Nylon 6T

Dimension D (1/100mm)
 (Tail Length)
Standard - 3.0mm = 0300
 or specify Dimension D
 e.g. 2.50mm = 0250
 Tol +/- 0.2mm

CONTACTS	DIMENSIONS	
	A	B
2	1.27	2.54
3	2.54	3.81
4	3.81	5.08
5	5.08	6.35
6	6.35	7.62
7	7.62	8.89
8	8.89	10.16
9	10.16	11.43
10	11.43	12.70
11	12.70	13.97
12	13.97	15.24
13	15.24	16.51
14	16.51	17.78
15	17.78	19.05
16	19.05	20.32
17	20.32	21.59
18	21.59	22.86
19	22.86	24.13
20	24.13	25.40
21	25.40	26.67
22	26.67	27.94
23	27.94	29.21
24	29.21	30.48
25	30.48	31.75
26	31.75	33.02
27	33.02	34.29
28	34.29	35.56
29	35.56	36.83
30	36.83	38.10
31	38.10	39.37
32	39.37	40.64
33	40.64	41.91
34	41.91	43.18
35	43.18	44.45
36	44.45	45.72
37	45.72	46.99
38	46.99	48.26
39	48.26	49.53
40	49.53	50.80
41	50.80	52.07
42	52.07	53.34
43	53.34	54.61
44	54.61	55.88
45	55.88	57.15
46	57.15	58.42
47	58.42	59.69
48	59.69	60.96
49	60.96	62.23
50	62.23	63.50

MATES WITH 配套之母座 (SUBJECT TO PIN LENGTH 在端子长度适合的条件下):
 BD069 BD070

By	LYH	PN	CB	AE	SA	SA
DETAIL	DRAWING RELEASE	STANDARD INSULATOR MATERIAL CHANGED	PACKING OPTIONS CHANGED	SOLDER TEMP & MATES WITH INFO. UPDATED	AMENDMENT TO STANDARD DIMENSIONS	AMENDMENT TO INSULATOR STANDARD
REV DATE	A 28/12/07	B 27/04/09	C 20/05/09	D 27/07/09	E 08/12/09	F 04/06/10



Tolerances (Except as noted)	Part Number:-	Date:-
Dimensions in mm	BD020	28 DEC 07
X. ± 0.30 X.X ± 0.20 X.XX ± 0.15 X.XXX ± 0.10	Description:-	
X.° ± 5° X.° ± 2° X.X° ± 1° X.XX° ± 0.5°	1.27mm PITCH PIN HEADER, SINGLE ROW, THROUGH HOLE, VERTICAL	
	© THIS DRAWING IS CONFIDENTIAL AND MUST NOT BE COPIED OR DISCLOSED WITHOUT WRITTEN CONSENT	

GCT

www.globalconnectortechology.com

Scale NTS	Revision F	Material See Note	Drawn by LYH	Sheet No. E & OE 1/1
-----------	------------	-------------------	--------------	----------------------