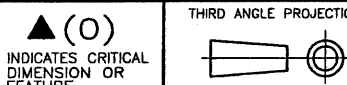



CONFIDENTIAL. THE INFORMATION CONTAINED IN THIS DOCUMENT IS THE PROPERTY OF COOPER INDUSTRIES, INC. IT IS NOT FOR PUBLIC DISCLOSURE. POSSESSION OF THE INFORMATION DOES NOT CONVEY ANY RIGHT TO LOAN, SELL OR DISCLOSE THE INFORMATION. UNAUTHORIZED REPRODUCTION OR USE OF THE INFORMATION IS PROHIBITED. THIS DOCUMENT IS TO BE RETURNED TO COOPER INDUSTRIES, INC. UPON COMPLETION OF THE PURPOSE FOR WHICH IT IS LOANED OR UPON REQUEST.  COPYRIGHT Cooper Industries, Inc. This is an unpublished work. The disclosure of this work is limited to select personnel. Further dissemination or disclosure to the public is PROHIBITED. This unpublished work is protected by Federal Copyright law and all rights thereunder are reserved by Cooper Industries, Inc.	SCALE <b>1x</b>	UNLESS OTHERWISE SPECIFIED TOLERANCES TO BE: METRIC ±.13mm INCHES ±.005" ANGULAR ±2°	DATE <b>9-25-01</b>	NO. <b>BFW 8-80</b>
	 THIRD ANGLE PROJECTION INDICATES CRITICAL DIMENSION OR FEATURE	TITLE <b>FUSE WIRE</b>		
INCHES (OR US UNITS) IS THE PRIMARY UNIT OF MEASURE METRIC(mm) [INCHES]		SUP. NO. <b>BFW 7-200 H</b>		DATED <b>11-16-94</b>
DWG. <b>JPH</b>		CK. <b>P.L.</b>	REV. <b>I</b>	
PAGE 1 OF 2			<b>AO1111</b>	
 <b>COOPER Bussmann</b> St. Louis, MO 63178				
C/F NO. <b>44093</b>		DISTRIBUTION <b>56</b>		<b>A</b>

(G) (I) REVISED & REDRAWN

**MATERIAL:**

COMPOSITION: 98.25 - 98.75% LEAD  
 1.25 - 1.75% ANTIMONY

580°F SOLIDUS  
 600°F LIQUIDUS

**PACKAGING SPEC**

PART NUMBER	AMP RATING	DIA.	TOLERANCE ±		FEET PER LB.	SPOOL CONTAINS	TURNS ON SPOOL	SPOOL NO.
BFW 8	8	$\frac{1.24}{.049}$	$\frac{.05}{.002}$	(I)	109	1 LB.		7788
BFW 10	10	$\frac{1.40}{.055}$		(I)	85			
BFW 15	15	$\frac{1.73}{.068}$		(I)	57			
BFW 20	20	$\frac{2.08}{.082}$		(I)	39			
BFW 25	25	$\frac{2.39}{.094}$		(I)	30			
BFW 30	30	$\frac{2.62}{.103}$		(I)	25			
BFW 35	35	$\frac{2.87}{.113}$		(I)	20.4			
BFW 40	40	$\frac{3.10}{.122}$		(I)	17.7			
BFW 45	45	$\frac{3.28}{.129}$		(I)	15.8			
BFW 50	50	$\frac{3.48}{.137}$		(I)	14			
BFW 60	60	$\frac{4.01}{.158}$		(I)	10.5			
BFW 80	80	$\frac{4.80}{.189}$		(I)	7.4			