

Battery Modular Connectors



The BMC series 1 pole & 2 pole connectors are available from 15 to 350 amperes rating for use to 600 Volts continuous AC or DC operation. Based on the colour-management system, the connectors will only mate with the same colour connectors. For preventing mismatching of the power supply system, the different colour housings are selected to identify voltages.

Applicable Markets

UPS System
 Telecommunication
 Forklift Trucks
 Wheelchairs
 Electric Vehicles
 Chargers

Housing Example : $\frac{\text{BMC}}{(1)} \frac{1\text{S}}{(2)(3)} - \frac{\text{RED}}{(4)}$

- (1) BC -- Battery Modular Connectors
- (2) 1 -- Pole Number
- (3) S -- Housing Size
- (4) RED -- Colour Type

Pole Number : 1 : One-pole Housing
 2 : Two-pole Housing

Housing Size : S : Small Size Housing
 M : Middle Size Housing
 L : Large Size Housing

Contacts Example : $\text{BMC} \frac{1}{(5)} \frac{\text{AG}}{(6)}$

- (5) 1 -- Wire Range
- (6) AG -- Contacts Type

Wire Range : 1 : AWG20-16
 2 : AWG16-12
 3 : AWG14-10

Contacts Type : AG : Copper-Silver Plated
 ST : Copper-Tin Plated (Reel Type)

10 to 45 Amperes Series

(A)



Contact Barrel Size (AWG)	Current Rating (Amperes)	Voltage Rating (Volts)	Maximum Wire Insulation Diameter (mm)	Contact Retention Force (lbs)	Average Connection / Disconnect (lbs)	Operating Temperature Range °C	Housings (A)
20-16	15	600 V	4.45	25	3	-20°C to 125°C	BMC1S-Red
12-16	30						BMC1S-Black
10-14	45						BMC1S-White
12-16	30						BMC1S-Green
		BMC1S-Blue					
		BMC1S-Brown					

Battery Modular Connectors



75 Amperes Series



Contact Barrel Size (AWG)	Current Rating (Amperes)	Voltage Rating (Volts)	Maximum Wire Insulation Diameter (mm)	Contact Retention Force (lbs)	Average Connection / Disconnect (lbs)	Operating Temperature Range °C	Housings
12-10	50	600 V	11	50	7	-20°C to 125°C	BMC1M-Red
6	75						BMC1M-Black
8	60						BMC1M-Green
							BMC1M-Blue

120 to 180 Amperes Series



Amperes Series	Contact Barrel Size (AWG)	Current Rating (Amperes)	Voltage Rating (Volts)	Maximum Wire Insulation Diameter (mm)	Contact Retention Force (lbs)	Average Connection / Disconnect (lbs)	Operating Temperature Range °C	Housings
120	6	80	600 V	14.6	100	8	-20°C to 125°C	BMC1LM-Red
	2	120						BMC1LM-Black
180	6	80		19.05	170	20		BMC1L-Red
	1/0	175						BMC1L-Black

2-Pole 50 to 350 Amperes Series



Battery Modular Connectors



Amperes Series	Contact Barrel Size (AWG)	Current Rating (Amperes)	Voltage Rating (Volts)	Maximum Wire Insulation Diameter (mm)	Contact Retention Force (lbs)	Average Connection / Disconnect (lbs)	Operating Temperature Range °C	Housings
50	12-10	35	600 V	11.18	50	15	-20°C to 125°C	BMC2S-Red
	8	45						BMC2S-Black
120	6	80		14.6	100	20		BMC2S-Grey
	4	100						BMC2MS-Red
	2	120						BMC2MS-Grey

Accessories - Connector Cable Clamps



BMC2S-FP for 2S (50 Amperes) Series
 BMC2M-FP for 2M (175 Amperes) Series

Accessories - Connector Handles

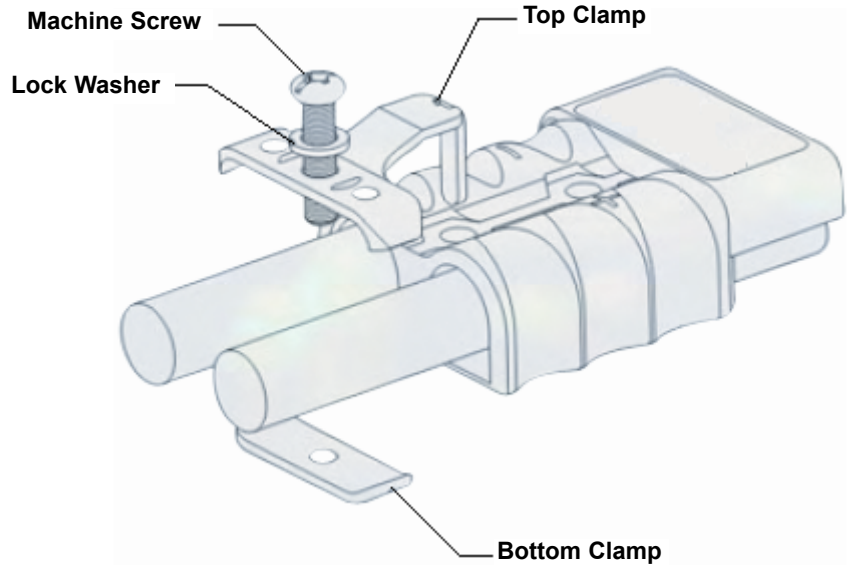


BMC2S-HD-Red for 2S (50 Amperes) Series
 BMC2MS-HD-Red for 2MS (120 Amperes) Series

Accessories - Connector Dust Cover



BMC2S-DC1 for 2S (50 Amperes) Series
 BMC2MS-DC1 for 2MS (120 Amperes) Series



Battery Modular Connectors



Part Number Table

Description	Part Number
Housing, Red, 15 A to 45 A	BMC1S-RED
Housing, Black, 15 A to 45 A	BMC1S-BLACK
Housing, White, 15 A to 45 A	BMC1S-WHITE
Housing, Green, 15 A to 45 A	BMC1S-GREEN
Housing, Blue, 15 A to 45 A	BMC1S-BLUE
Contact, 15 A	BMC1AG
Contact, 30 A	BMC2AG
Housing, Red, 50 A to 75 A	BMC1M-RED
Housing, Black, 50 to 75 A	BMC1M-BLACK
Housing, Green, 50 to 75 A	BMC1M-GREEN
Housing, Blue, 50 to 75 A	BMC1M-BLUE
Contact, 50 A	BMC5AG
Contact, 60 A	BMC8AG
Contact, 75 A	BMC14AG
Housing, Red, 50 A, 2 Pole	BMC2S-RED
Housing, Black, 50 A, 2 Pole	BMC2S-BLACK
Housing, Grey, 50 A, 2 Pole	BMC2S-GREY
Housing, Brown, 15 A to 45 A	BMC1S-BROWN
Housing, Red, 80-120 A	BMC1LM-RED

Description	Part Number
Housing, Black, 80-120 A	BMC1LM-BLACK
Contact, 80 A, 6 AWG	BMCMS14AG
Contact, 100 A, 4 AWG	BMCMS22AG
Contact, 120 A, 2 AWG	BMCMS38AG
Housing, Red, 80-175 A	BMC1L-RED
Housing, Black, 80-175 A	BMC1L-BLACK
Contact, 80 A, 6 AWG	BMCM14AG
Contact, 125 A, 4 AWG	BMC22AG
Contact, 150 A, 2 AWG	BMC38AG
Contact, 175 A, 1 AWG	BMC60AG
Housing, 2 Pole, 80-120 A, Red	BMC2MS-RED
Housing, 2 Pole, 80-120 A, Grey	BMC2MS-GREY
Housing, 2 Pole, 80-120 A, Blue	BMC2MS-BLUE
Cable Clamp, 50 A	BMC2S-FP
Cable Clamp, 175 A	BMC2M-FP
Connector Handle, 50 A	BMC2S-HD-RED
Connector Handle, 80-120 A	BMC2MS-HD-RED
Dust Cover, 50 A	BMC2S-DC1
Dust Cover, 80-120 A	BMC2MS-DC1

Important Notice : This data sheet and its contents (the "Information") belong to the members of the Premier Farnell group of companies (the "Group") or are licensed to it. No licence is granted for the use of it other than for information purposes in connection with the products to which it relates. No licence of any intellectual property rights is granted. The Information is subject to change without notice and replaces all data sheets previously supplied. The Information supplied is believed to be accurate but the Group assumes no responsibility for its accuracy or completeness, any error in or omission from it or for any use made of it. Users of this data sheet should check for themselves the Information and the suitability of the products for their purpose and not make any assumptions based on information included or omitted. Liability for loss or damage resulting from any reliance on the Information or use of it (including liability resulting from negligence or where the Group was aware of the possibility of such loss or damage arising) is excluded. This will not operate to limit or restrict the Group's liability for death or personal injury resulting from its negligence. Multicomp is the registered trademark of the Group. © Premier Farnell plc 2012.