

Voltage Detector IC Series

Low Voltage Standard CMOS Voltage Detector IC Series


BU48□□G, BU48□□F, BU48□□FVE, BU49□□G, BU49□□F, BU49□□FVE series

No.09006ECT01

● Description

ROHM standard CMOS reset IC series is a high-accuracy low current consumption reset IC series.

The lineup was established with two output types (Nch open drain and CMOS output) and detection voltage range from 0.9V to 4.8V in increments of 0.1V, so that the series may be selected according to the application at hand.

● Features

- 1) Detection voltage from 0.9V to 4.8V in 0.1V increments
- 2) Highly accurate detection voltage: $\pm 1.0\%$
- 3) Ultra-low current consumption
- 4) Nch open drain output (BU48□□G/F/FVE) and CMOS output (BU49□□G/F/FVE)
- 5) Small surface package
 - SSOP5: BU48□□G, BU49□□G
 - SOP4: BU48□□F, BU49□□F
 - VSO5: BU48□□FVE, BU49□□FVE

● Applications

All electronics devices that use microcontrollers and logic circuits.

● Selection Guide

 Part Number : BU4

 ①
 ②
 ③

No.	Specifications	Description
①	Output Circuit Format	8:Open Drain Output, 9:CMOS Output
②	Detection Voltage	Example V _{DET} : Represented as 0.1V steps in the range from 0.9V to 4.8V (Displayed as 0.9 in the case of 0.9V)
③	Package	G:SSOP5(SMP5C2)/ F:SOP4/ FVE:VSO5(EMP5)

● Lineup

Making	Detection voltage	Part Number	Making	Detection voltage	Part Number	Making	Detection voltage	Part Number	Making	Detection voltage	Part Number
JR	4.8V	BU4848	HV	2.8V	BU4828	LH	4.8V	BU4948	KM	2.8V	BU4928
JQ	4.7V	BU4847	HU	2.7V	BU4827	LG	4.7V	BU4947	KL	2.7V	BU4927
JP	4.6V	BU4846	HT	2.6V	BU4826	LF	4.6V	BU4946	KK	2.6V	BU4926
JN	4.5V	BU4845	HS	2.5V	BU4825	LE	4.5V	BU4945	KJ	2.5V	BU4925
JM	4.4V	BU4844	HR	2.4V	BU4824	LD	4.4V	BU4944	KH	2.4V	BU4924
JL	4.3V	BU4843	HQ	2.3V	BU4823	LC	4.3V	BU4943	KG	2.3V	BU4923
JK	4.2V	BU4842	HP	2.2V	BU4822	LB	4.2V	BU4942	KF	2.2V	BU4922
JJ	4.1V	BU4841	HN	2.1V	BU4821	LA	4.1V	BU4941	KE	2.1V	BU4921
JH	4.0V	BU4840	HM	2.0V	BU4820	KZ	4.0V	BU4940	KD	2.0V	BU4920
JG	3.9V	BU4839	HL	1.9V	BU4819	KY	3.9V	BU4939	KC	1.9V	BU4919
JF	3.8V	BU4838	HK	1.8V	BU4818	KX	3.8V	BU4938	KB	1.8V	BU4918
JE	3.7V	BU4837	HJ	1.7V	BU4817	KW	3.7V	BU4937	KA	1.7V	BU4917
JD	3.6V	BU4836	HH	1.6V	BU4816	KV	3.6V	BU4936	JZ	1.6V	BU4916
JO	3.5V	BU4835	HG	1.5V	BU4815	KU	3.5V	BU4935	JY	1.5V	BU4915
JB	3.4V	BU4834	HF	1.4V	BU4814	KT	3.4V	BU4934	JX	1.4V	BU4914
JA	3.3V	BU4833	HE	1.3V	BU4813	KS	3.3V	BU4933	JW	1.3V	BU4913
HZ	3.2V	BU4832	HD	1.2V	BU4812	KR	3.2V	BU4932	JV	1.2V	BU4912
HY	3.1V	BU4831	HC	1.1V	BU4811	KQ	3.1V	BU4931	JU	1.1V	BU4911
HX	3.0V	BU4830	HB	1.0V	BU4810	KP	3.0V	BU4930	JT	1.0V	BU4910
HW	2.9V	BU4829	HA	0.9V	BU4809	KN	2.9V	BU4929	JS	0.9V	BU4909

● Absolute maximum ratings (Ta=25°C)

Parameter		Symbol	Limits	Unit
Power Supply Voltage		VDD-GND	-0.3 ~ +7	V
Output Voltage	Nch Open Drain Output	VOUT	GND-0.3 ~ +7	V
	CMOS Output		GND-0.3 ~ VDD+0.3	
Power Dissipation	SSOP5 ^{*1*4}	Pd	540	mW
	SOP4 ^{*2*4}		400	
	VSO5 ^{*3*4}		210	
Operating Temperature		Topr	-40 ~ +125	°C
Ambient Storage Temperature		Tstg	-55 ~ +125	°C

*1 When used at temperatures higher than Ta=25°C, the power is reduced by 5.4mW per 1°C above 25°C.

*2 When used at temperatures higher than Ta=25°C, the power is reduced by 4.0mW per 1°C above 25°C.

*3 When used at temperatures higher than Ta=25°C, the power is reduced by 2.1mW per 1°C above 25°C.

*4 When a ROHM standard circuit board (70mm×70mm×1.6mm, glass epoxy board) is mounted.

● Electrical characteristics

Parameter	Symbol	Condition	Limit			Unit	
			Min.	Typ.	Max.		
Detection Voltage	VDET	VDD=H→L, Ta=25°C RL=470kΩ	BU4848	4.752	4.800	4.848	V
			BU4847	4.653	4.700	4.747	
			BU4846	4.554	4.600	4.646	
			BU4845	4.455	4.500	4.545	
			BU4844	4.356	4.400	4.444	
			BU4843	4.257	4.300	4.343	
			BU4842	4.158	4.200	4.242	
			BU4841	4.059	4.100	4.141	
			BU4840	3.960	4.000	4.040	
			BU4839	3.861	3.900	3.939	
			BU4838	3.762	3.800	3.838	
			BU4837	3.663	3.700	3.737	
			BU4836	3.564	3.600	3.636	
			BU4835	3.465	3.500	3.535	
			BU4834	3.366	3.400	3.434	
			BU4833	3.267	3.300	3.333	
			BU4832	3.168	3.200	3.232	
			BU4831	3.069	3.100	3.131	
			BU4830	2.970	3.000	3.030	
			BU4829	2.871	2.900	2.929	
			BU4828	2.772	2.800	2.828	
			BU4827	2.673	2.700	2.727	
			BU4826	2.574	2.600	2.626	
			BU4825	2.475	2.500	2.525	
			BU4824	2.376	2.400	2.424	
			BU4823	2.277	2.300	2.323	
			BU4822	2.178	2.200	2.222	
			BU4821	2.079	2.100	2.121	
			BU4820	1.980	2.000	2.020	
			BU4819	1.881	1.900	1.919	
BU4818	1.782	1.800	1.818				
BU4817	1.683	1.700	1.717				
BU4816	1.584	1.600	1.616				
BU4815	1.485	1.500	1.515				
BU4814	1.386	1.400	1.414				
BU4813	1.287	1.300	1.313				
BU4812	1.188	1.200	1.212				
BU4811	1.089	1.100	1.111				
BU4810	0.990	1.000	1.010				
BU4809	0.891	0.900	0.909				
Detection Voltage Temperature Coefficient	VDET/ΔT	Ta=-40°C~125°C ^{*1}	-	±30	-	ppm/°C	
Hysteresis Voltage	ΔVDET	VDD=L→H→L Ta=-40°C~125°C RL=470kΩ	VDET≤1.0V	VDET x0.03	VDET x0.05	VDET x0.08	V
			VDET≥1.1V	VDET x0.03	VDET x0.05	VDET x0.07	

*1 Designed Guarantee.(Outgoing inspection is not done on all products.)

*This product is not designed for protection against radioactive rays.

● Electrical characteristics (Unless Otherwise Specified Ta=-25 to 125°C)

Parameter	Symbol	Condition	Limit			Unit	
			Min.	Typ.	Max.		
Circuit Current when ON	IDD1	VDD=VDET-0.2V	VDET=0.9-1.3V	-	0.15	0.88	μA
			VDET=1.4-2.1V	-	0.20	1.05	
			VDET=2.2-2.7V	-	0.25	1.23	
			VDET=2.8-3.3V	-	0.30	1.40	
			VDET=3.4-4.2V	-	0.35	1.58	
			VDET=4.3-4.8V	-	0.40	1.75	
Circuit Current when OFF	IDD2	VDD=VDET+2.0V	VDET=0.9-1.3V	-	0.30	1.40	μA
			VDET=1.4-2.1V	-	0.35	1.58	
			VDET=2.2-2.7V	-	0.40	1.75	
			VDET=2.8-3.3V	-	0.45	1.93	
			VDET=3.4-4.2V	-	0.50	2.10	
			VDET=4.3-4.8V	-	0.55	2.28	
Operating Voltage Range	VOPL	VOL≤0.4V, Ta=25~125°C, RL=470kΩ	0.70	-	-	V	
		VOL≤0.4V, Ta=-40~25°C, RL=470kΩ	0.90	-	-		
'Low' Output Current (Nch)	IOL	VDS=0.05V VDD=0.85V	20	100	-	μA	
		VDS=0.5V VDD=1.5V VDET=1.7-4.8V	1.0	3.3	-	mA	
		VDS=0.5V VDD=2.4V VDET=2.7-4.8V	4.0	7.2	-	mA	
'High' Output Current (Pch) (only BU49□□G/F/FVE)	IOH	VDS=0.5V VDD=4.8V VDET=0.9-3.9V	1.7	3.4	-	mA	
		VDS=0.5V VDD=6.0V VDET=4.0-4.8V	2.0	4.0	-		
Output Leak Current when OFF (only BU48□□G/F/FVE)	Ileak	VDD=VDS=7V Ta=-40°C~85°C	-	0	0.1	μA	
		VDD=VDS=7V Ta=85°C~125°C	-	0	1		

* This product is not designed for protection against radioactive rays.

● Block Diagrams

BU48□□G/F/FVE

Fig.1

BU49□□G/F/FVE

Fig.2

TOP VIEW

SSOP5

PIN No.	Symbol	Function
1	VOUT	Reset output
2	VDD	Power supply voltage
3	GND	GND
4	N.C.	Unconnected terminal
5	N.C.	Unconnected terminal

TOP VIEW

SOP4

PIN No.	Symbol	Function
1	VOUT	Reset output
2	VDD	Power supply voltage
3	N.C.	Unconnected terminal
4	GND	GND

TOP VIEW

VSOF5

PIN No.	Symbol	Function
1	VOUT	Reset output
2	SUB	Substrate*
3	N.C.	Unconnected terminal
4	VDD	Power supply voltage
5	GND	GND

*Connect the substrate to VDD

● Reference Data (Unless specified otherwise, Ta=25°C)

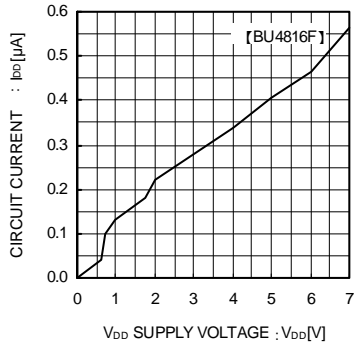


Fig.3 Circuit Current

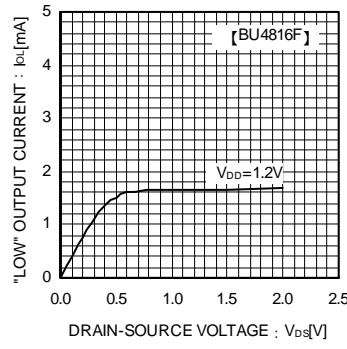


Fig.4 "LOW" Output Current

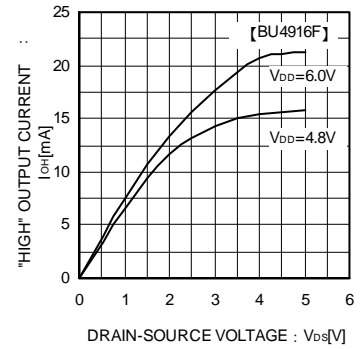


Fig.5 "High" Output Current

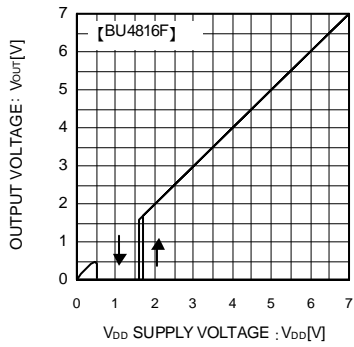


Fig.6 I/O Characteristics

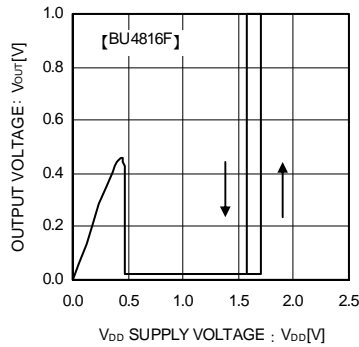


Fig.7 Operating Limit Voltage

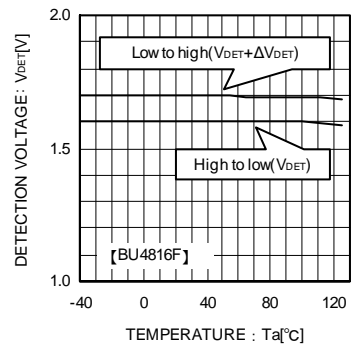


Fig.8 Detecting Voltage Release Voltage

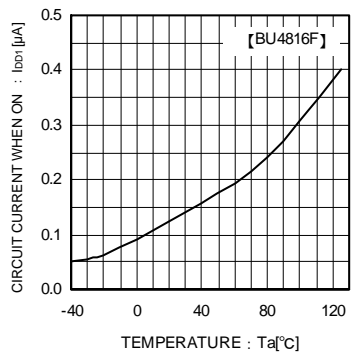


Fig.9 Circuit Current when ON

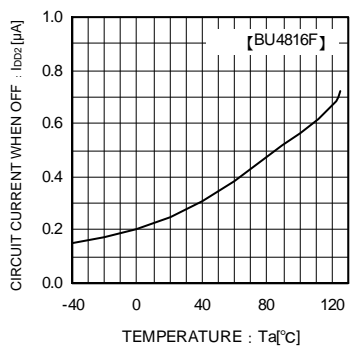


Fig.10 Circuit Current when OFF

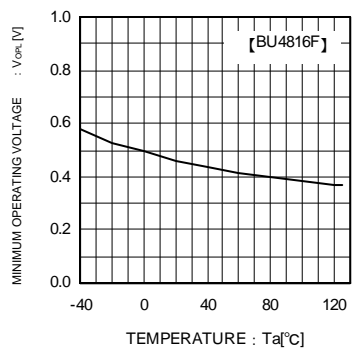


Fig.11 Operating Limit Voltage

● Reference Data

Examples of Output rising value(TPLH)and Output falling value(TPHL)

Part Number	TPLH[μs]	TPHL[μs]
BU4845G/F/FVE	23.3	275.9
BU4945G/F/FVE	3.5	354.3

VDD=4.3V→5.1V

VDD=5.1V→4.3V

* This data is for reference only.

This figure will vary with the application, so please confirm actual operation conditions before use.

● Explanation of Operation

For both the open drain type(Fig.12)and the CMOS output type(Fig.13), the detection and release voltages are used as threshold voltages. When the voltage applied to the VDD pins reaches the applicable threshold voltage, the Vout terminal voltage switches from either “High” to “Low” or from “Low” to “High”. Because the BU48□□G/F/FVE series uses an open drain output type, it is possible to connect a pull-up resistor to VDD or another power supply [The output “High” voltage (VOUT) in this case becomes VDD or the voltage of the other power supply].

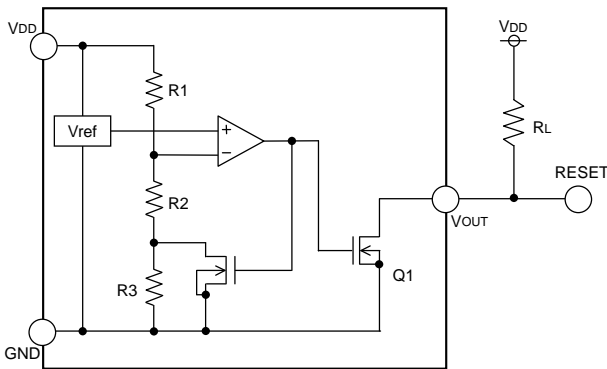


Fig.12 (BU48□□ type internal block diagram)

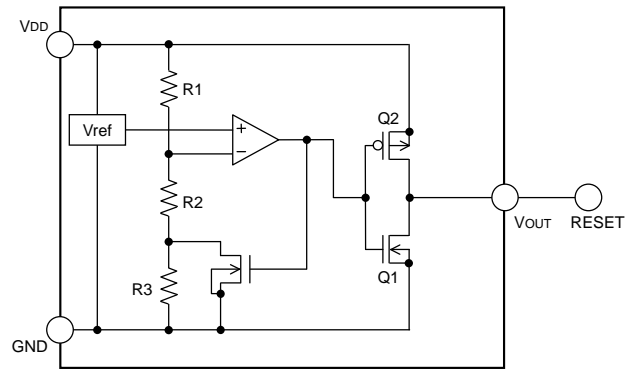


Fig.13 (BU49□□ type internal block diagram)

● Timing Waveforms

Example:The following shows the relationship between the input voltage VDD, the CT Terminal Voltage VCT and the output voltage VOUT when the input power supply voltage VDD is made to sweep up and sweep down (The circuits are those in Fig.12 and 13).

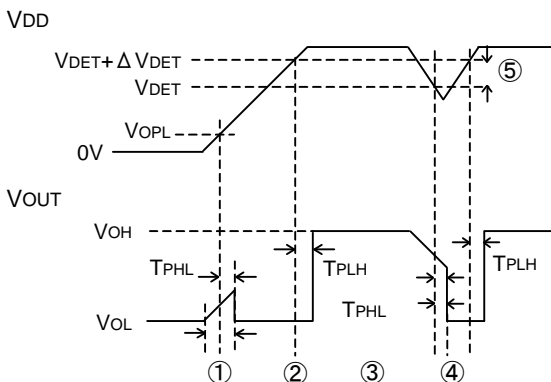


Fig.14

- ① When the power supply is turned on, the output is unsettled from after over the operating limit voltage (VOPL) until TPLH. Therefore it is possible that the reset signal is not outputted when the rise time of VDD is faster than TPLH.
- ② When VDD is greater than VOPL but less than the reset release voltage (VDET + VDET), output (VOUT) voltages will switch to L.
- ③ If VDD exceeds the reset release voltage (VDET + VDET), then VOUT switches from L to H (with a delay of TPLH).
- ④ If VDD drops below the detection voltage (VDET) when the power supply is powered down or when there is a power supply fluctuation, VOUT switches to L (with a delay of TPLH).
- ⑤ The potential difference between the detection voltage and the release voltage is known as the hysteresis width (VDET). The system is designed such that the output does not flip-flop with power supply fluctuations within this hysteresis width, preventing malfunctions due to noise.

● Circuit Applications

1) Examples of a common power supply detection reset circuit

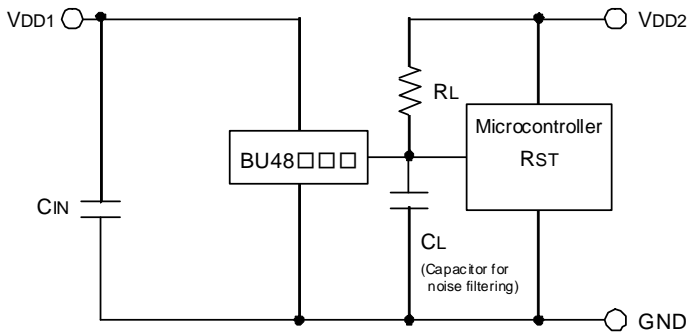


Fig.15 Open collector Output type

Application examples of BU48□□G/F/FVE series (Open Drain output type) and BU49□□G/F/FVE series (CMOS output type) are shown below.

CASE1: The power supply of the microcontroller (VDD2) differs from the power supply of the reset detection (VDD1). Use the Open Drain Output Type (BU48□□G/FVE) attached a load resistance (RL) between the output and VDD2. (As shown Fig.15)

CASE2: The power supply of the microcontroller (VDD1) is same as the power supply of the reset detection (VDD1). Use CMOS output type (BU43□□G/FVE) or Open Drain Output Type (BU48□□G/FVE) attached a load resistance (RL) between the output and VDD1. (As shown Fig.16)

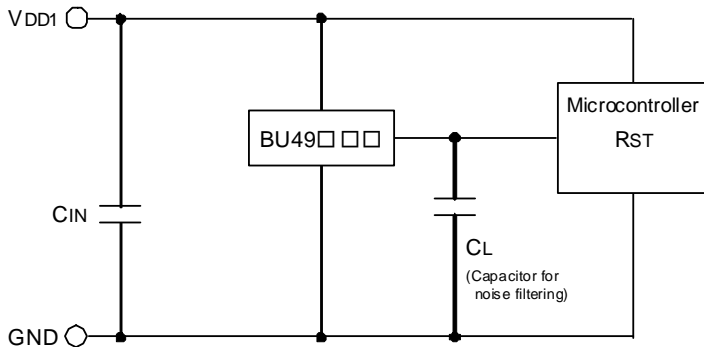


Fig.16 CMOS Output type

When a capacitance CL for noise filtering or setting the output delay time is connected to the Vout pin (the reset signal input terminal of the microcontroller), please take into account the waveform of the rise and fall of the output voltage (Vout).

2) Examples of the power supply with resistor dividers

In applications where the power supply input terminal (VDD) of an IC with resistor dividers, it is possible that a through-current will momentarily flow into the circuit when the output logic switches, resulting in malfunctions (such as output oscillatory state).

(Through-current is a current that momentarily flows from the power supply (VDD) to ground (GND) when the output level switches from "High" to "Low" or vice versa.)

Consider the use of BU48□□ when the power supply input it with resistor dividers.

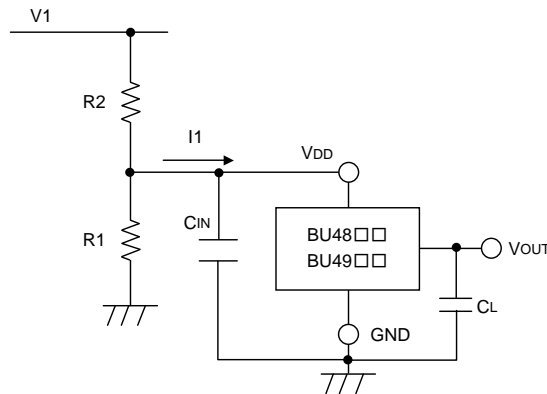


Fig.17

● Operation Notes

1. Absolute maximum range
Absolute Maximum Ratings are those values beyond which the life of a device may be destroyed. We cannot be defined the failure mode, such as short mode or open mode. Therefore a physical security countermeasure, like fuse, is to be given when a specific mode to be beyond absolute maximum ratings is considered.
2. GND potential
GND terminal should be a lowest voltage potential every state.
Please make sure all pins that are over ground even if include transient feature.
3. Electrical Characteristics
Be sure to check the electrical characteristics, that are one the tentative specification will be changed by temperature, supply voltage, and external circuit.
4. Bypass Capacitor for Noise Rejection
Please put into the to reject noise between V_{DD} pin and GND with 1uF over and between V_{OUT} pin and GND with 1000pF. If extremely big capacitor is used, transient response might be late. Please confirm sufficiently for the point.
5. Short Circuit between Terminal and Soldering
Don't short-circuit between Output pin and V_{DD} pin, Output pin and GND pin, or V_{DD} pin and GND pin. When soldering the IC on circuit board please is unusually cautious about the orientation and the position of the IC. When the orientation is mistaken the IC may be destroyed.
6. Electromagnetic Field
Mal-function may happen when the device is used in the strong electromagnetic field.
7. The V_{DD} line impedance might cause oscillation because of the detection current.
8. A V_{DD} -GND capacitor (as close connection as possible) should be used in high V_{DD} line impedance condition.
9. Lower than the minimum input voltage makes the V_{OUT} high impedance, and it must be V_{DD} in pull up (V_{DD}) condition.
10. Recommended value of R_L Resistar is over 10kΩ (V_{DET}=1.5V~4.8V),
over 100kΩ (V_{DET}=0.9~1.4V).
11. This IC has extremely high impedance terminals. Small leak current due to the uncleanness of PCB surface might cause unexpected operations. Application values in these conditions should be selected carefully. If 10MΩ leakage is assumed between the CT terminal and the GND terminal, 1MΩ connection between the CT terminal and the V_{DD} terminal would be recommended. Also, if the leakage is assumed between the V_{OUT} terminal and the GND terminal, the pull up resistor should be less than 1/10 of the assumed leak resistance.
12. External parameters
For R_L, the recommended range is 10kΩ~1MΩ. There are many factors (board layout, etc) that can affect characteristics. Please verify and confirm using practical applications.
13. Power on reset operation
Please note that the power on reset output varies with the V_{CC} rise up time. Please verify the actual operation.
14. Precautions for board inspection
Connecting low-impedance capacitors to run inspections with the board may produce stress on the IC. Therefore, be certain to use proper discharge procedure before each process of the test operation.
To prevent electrostatic accumulation and discharge in the assembly process, thoroughly ground yourself and any equipment that could sustain ESD damage, and continue observing ESD-prevention procedures in all handling, transfer and storage operations. Before attempting to connect components to the test setup, make certain that the power supply is OFF. Likewise, be sure the power supply is OFF before removing any component connected to the test setup.
15. When the power supply, is turned on because of incertain cases, momentary Rash-current flow into the IC at the logic unsettled, the couple capacitance, GND pattern of width and leading line must be considered.

● Part Number Selection

B U 4 8

BU48: Standard CMOS reset IC
Open drain type
BU49: Standard CMOS reset IC
CMOS Output type

0 9

Detection voltage
09: 0.9V (0.1V step)
48: 4.8V

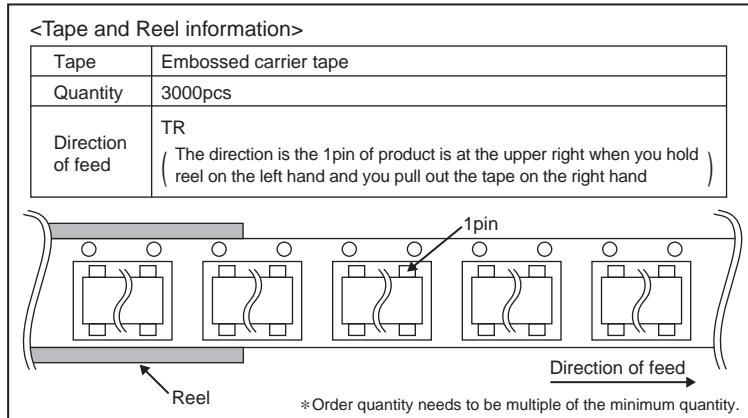
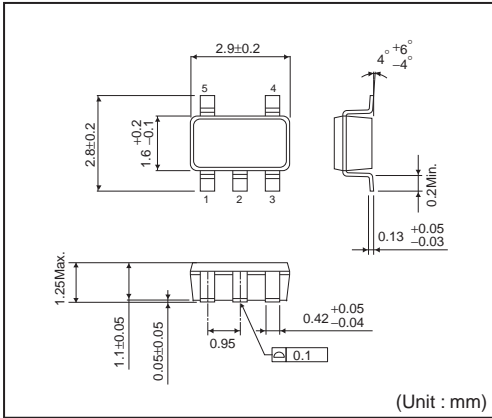
G

Package
G: SSOP5
F: SOP4
FVE: VSOF5

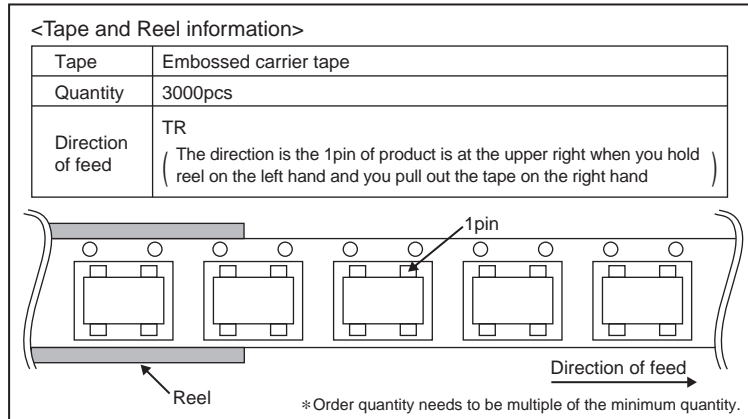
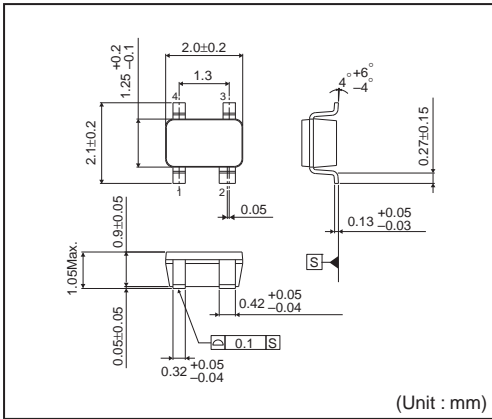
T R

Taping Specifications
Embossed Taping

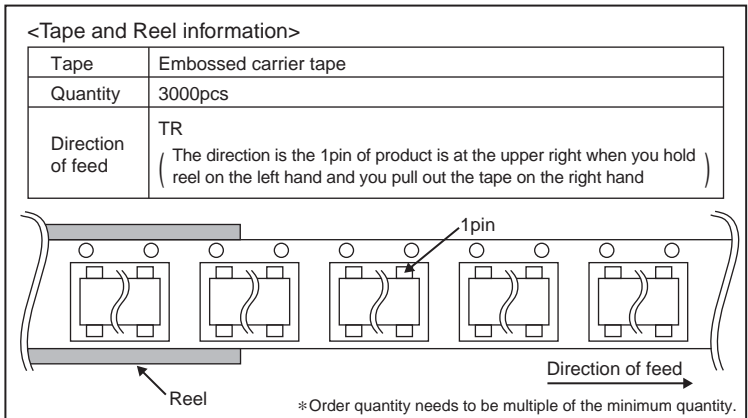
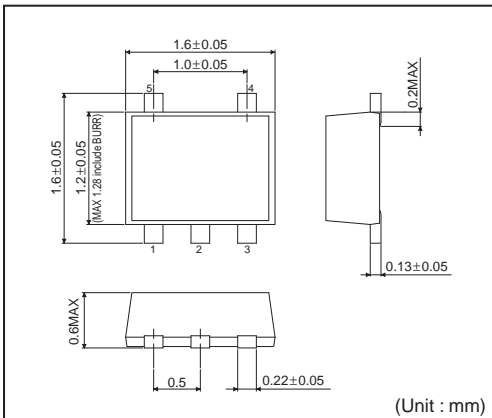
SSOP5



SOP4



VSOF5



Notes

No copying or reproduction of this document, in part or in whole, is permitted without the consent of ROHM Co.,Ltd.

The content specified herein is subject to change for improvement without notice.

The content specified herein is for the purpose of introducing ROHM's products (hereinafter "Products"). If you wish to use any such Product, please be sure to refer to the specifications, which can be obtained from ROHM upon request.

Examples of application circuits, circuit constants and any other information contained herein illustrate the standard usage and operations of the Products. The peripheral conditions must be taken into account when designing circuits for mass production.

Great care was taken in ensuring the accuracy of the information specified in this document. However, should you incur any damage arising from any inaccuracy or misprint of such information, ROHM shall bear no responsibility for such damage.

The technical information specified herein is intended only to show the typical functions of and examples of application circuits for the Products. ROHM does not grant you, explicitly or implicitly, any license to use or exercise intellectual property or other rights held by ROHM and other parties. ROHM shall bear no responsibility whatsoever for any dispute arising from the use of such technical information.

The Products specified in this document are intended to be used with general-use electronic equipment or devices (such as audio visual equipment, office-automation equipment, communication devices, electronic appliances and amusement devices).

The Products specified in this document are not designed to be radiation tolerant.

While ROHM always makes efforts to enhance the quality and reliability of its Products, a Product may fail or malfunction for a variety of reasons.

Please be sure to implement in your equipment using the Products safety measures to guard against the possibility of physical injury, fire or any other damage caused in the event of the failure of any Product, such as derating, redundancy, fire control and fail-safe designs. ROHM shall bear no responsibility whatsoever for your use of any Product outside of the prescribed scope or not in accordance with the instruction manual.

The Products are not designed or manufactured to be used with any equipment, device or system which requires an extremely high level of reliability the failure or malfunction of which may result in a direct threat to human life or create a risk of human injury (such as a medical instrument, transportation equipment, aerospace machinery, nuclear-reactor controller, fuel-controller or other safety device). ROHM shall bear no responsibility in any way for use of any of the Products for the above special purposes. If a Product is intended to be used for any such special purpose, please contact a ROHM sales representative before purchasing.

If you intend to export or ship overseas any Product or technology specified herein that may be controlled under the Foreign Exchange and the Foreign Trade Law, you will be required to obtain a license or permit under the Law.



Thank you for your accessing to ROHM product informations.
More detail product informations and catalogs are available, please contact us.

ROHM Customer Support System

<http://www.rohm.com/contact/>