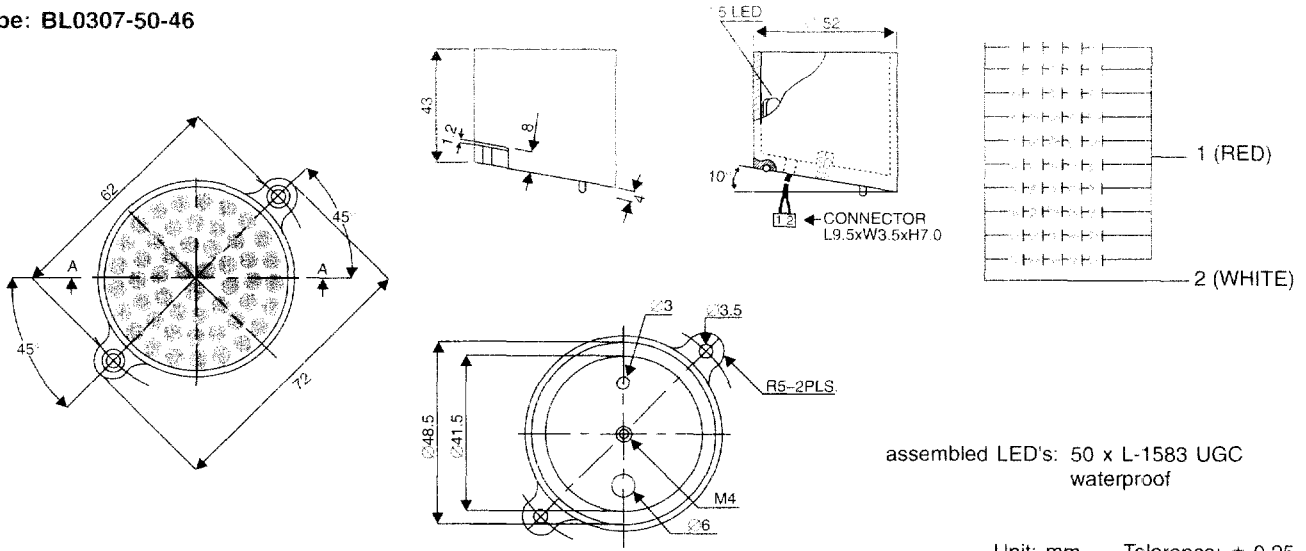




Type: BL0307-50-46



Electro-optical Characteristics (DC)

Parameter	Symbol	Colour	Min.	Typ.	Max.	Unit	Conditions
Forward Voltage	V_F		-	10.5	11.6	Volt	$I_F = 200 \text{ mA}$
Reverse Current	I_R		-	-	100	μA	$V_R = 18 \text{ V}$
Luminous intensity	I_V		10000		15000	mcd	$I_F = 200 \text{ mA}$
Peak Emission Wavelength	λ_P			565	-	nm	$I_F = 200 \text{ mA}$
Spectrum Radiation Bandwidth	$\Delta\lambda$		-	30	-	nm	$I_F = 200 \text{ mA}$
Response Frequency	F_C			8		MHz	-
Full Viewing Angle				40		Deg	

Absolute Maximum Ratings

Parameter	Symbol		Unit
Continuous forward Current (DC)	I_F	250	mA
Power Dissipation	P_D	2.8	Watt
Reverse Voltage (DC)	V_R	5	Volt
Operating Temperature	T_{opr}	-5 to +65	$^{\circ}\text{C}$
Storage Temperature	T_{stg}	-10 to +85	$^{\circ}\text{C}$