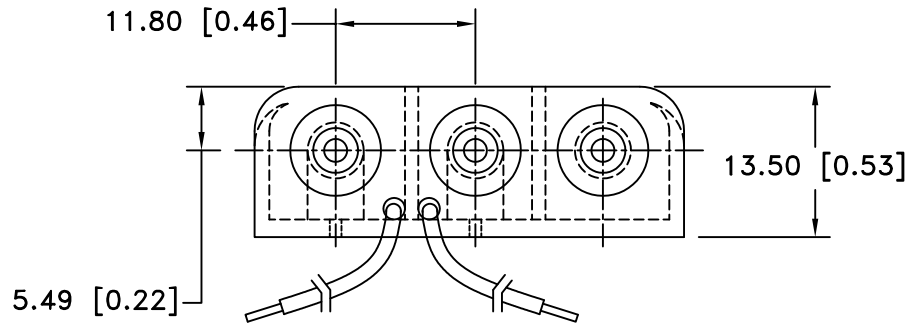
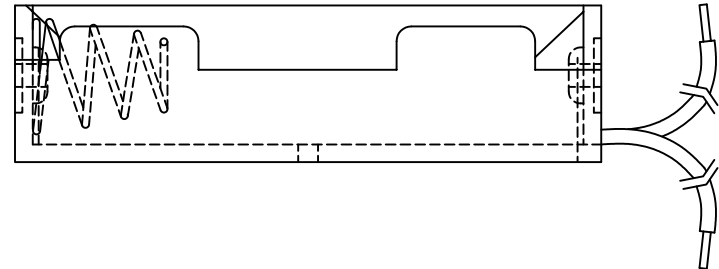
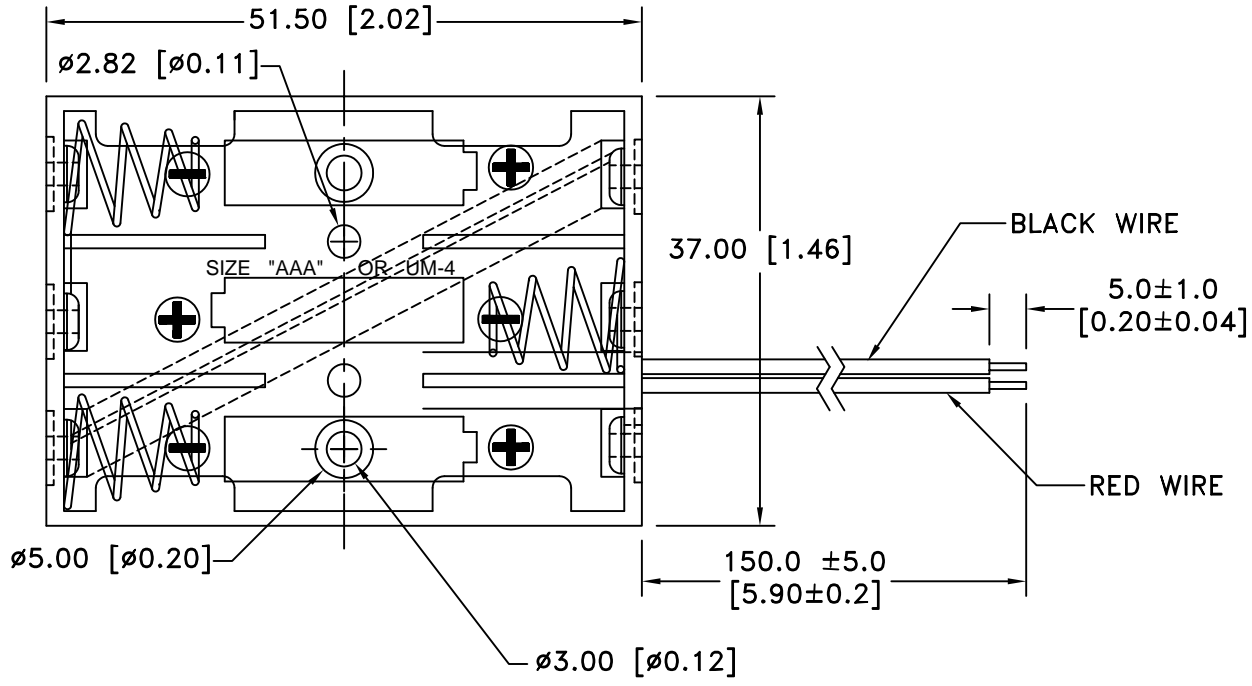



Date	SYM	REVISION RECORD	AUTH	DR.	CK.
9/08/07	A	ADDED "ROHS COMPLIANT" UPDATED MATERIAL NOTES	T.B.	B.S.	



NOTES:  
 1. MATERIAL:  
 HOUSING : BLACK POLYPROPYLENE  
 FLAMMABILITY RATING -UL94-HB, UL FILE NO. E216959  
 TEMPERATURE RANGE: -10°C to +100°C  
 RIVETS: BRASS, NICKLE PLATED.  
 SPRING: SPRING STEEL, NICKLE PLATED.  
 WIRE: 26 AWG, UL1007, CSA, TR64  
 CONTACTS: SPRING STEEL, NICKLE PLATED.  
 CONTACT RESISTANCE: UNDER 50mΩ FOR +/- CONTACTS PER EIA-540J000

ROHS COMPLIANT

Tolerance (Except as noted)	 <b>Memory Protection Devices, Inc</b> 200 Broad Hollow Road, Farmingdale, New York 11735		
decimal $\pm .5$ (.020)	Scale	Drawn By B.S.	
Fractional $\pm .8$ (.030)	Title THREE "AAA" CELL HOLDER		
Angular $\pm 3^\circ$	Date 9/08/07	Drawing Number BC3AAAW	
		Approved By T.B.	