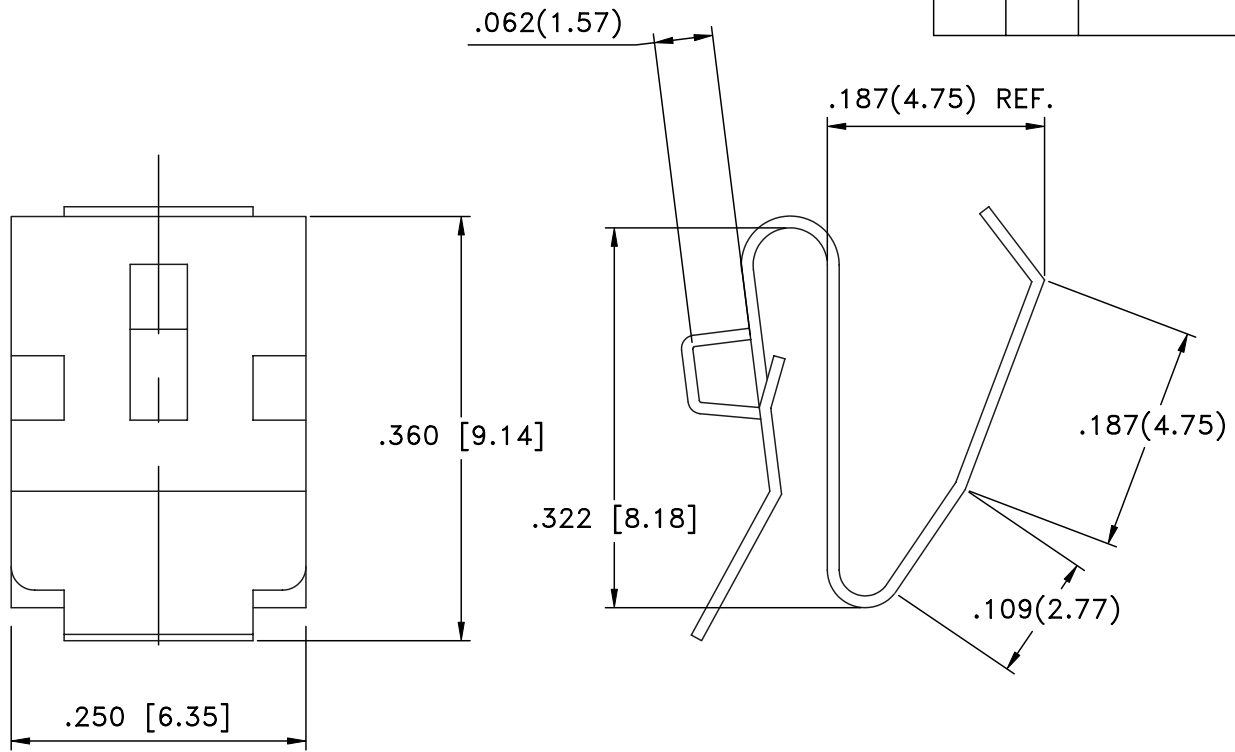



Date	SYM	REVISION RECORD	AUTH	DR.	CK.
11/18/03	A	REVISED MATERIAL	T.B.	B.S.	



Tolerance (Except as noted)	 Memory protection Devices, Inc 200 Broad Hollow Road, Farmingdale, New York 11735	Scale	Drawn By T.S.
decimal $\pm .5$ (.020)		8=1	Approved By T.B.
Fractional $\pm .8$ (.030)	Title BATTERY CONTACT, AA		
Angular $\pm 3^\circ$	Date 11/18/03	Drawing Number BK-204	

MATERIAL:
.010" SPRING TEMPER STAINLESS STEEL, NICKEL PLATED