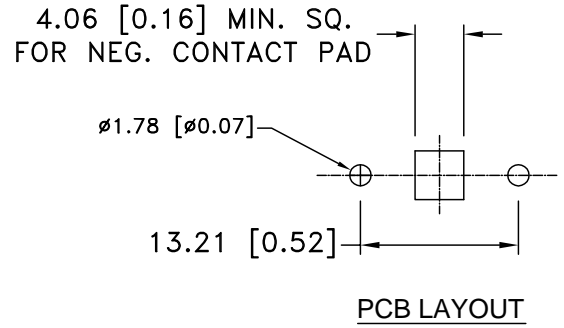
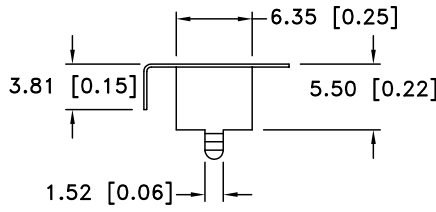
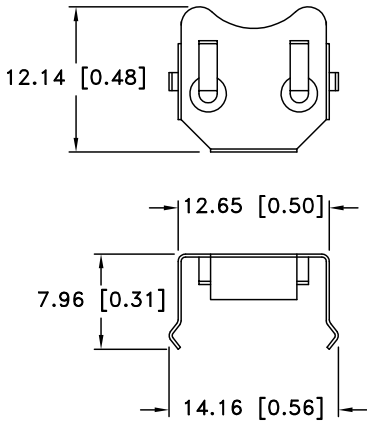



Date	SYM	REVISION RECORD	AUTH	DR.	CK.



NOTES:
 1. MATERIAL:
 0.25mm (0.010") PHOSPHOR BRONZE, NICKEL PLTD.

Tolerance (Except as noted)	 Memory Protection Devices, Inc 200 Broad Hollow Road, Farmingdale, New York 11735		
decimal $\pm .5 (.020)$		Scale	Drawn By B.S.
Fractional $\pm .8 (.030)$	Title	Approved By T.B.	
Angular $\pm 3^\circ$	Date	Drawing Number	
	8/5/06	BK-5091	