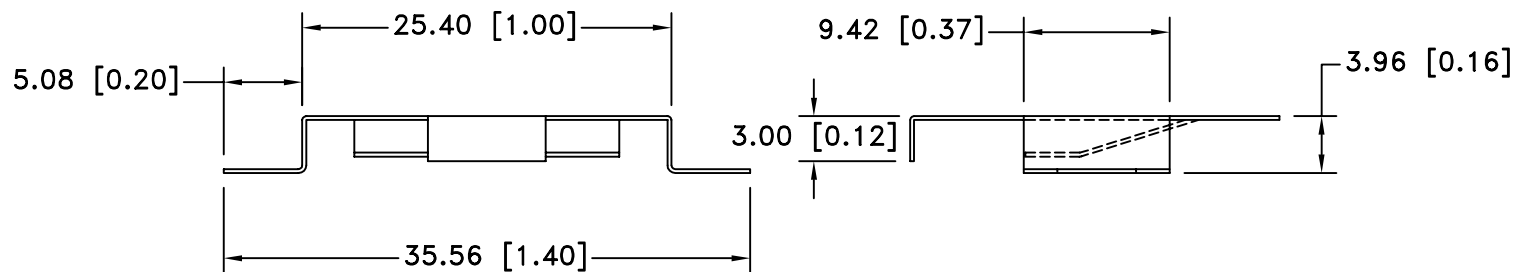
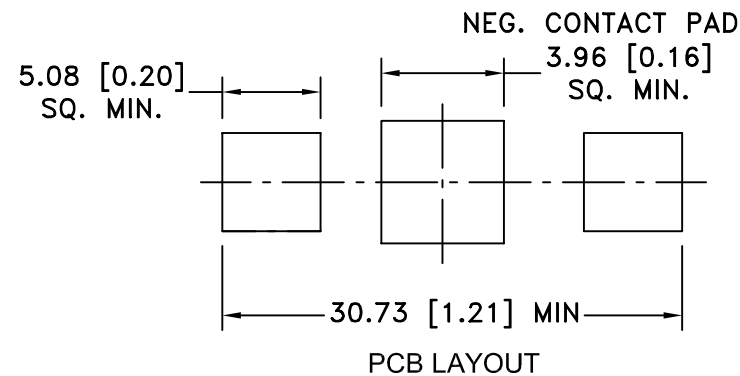
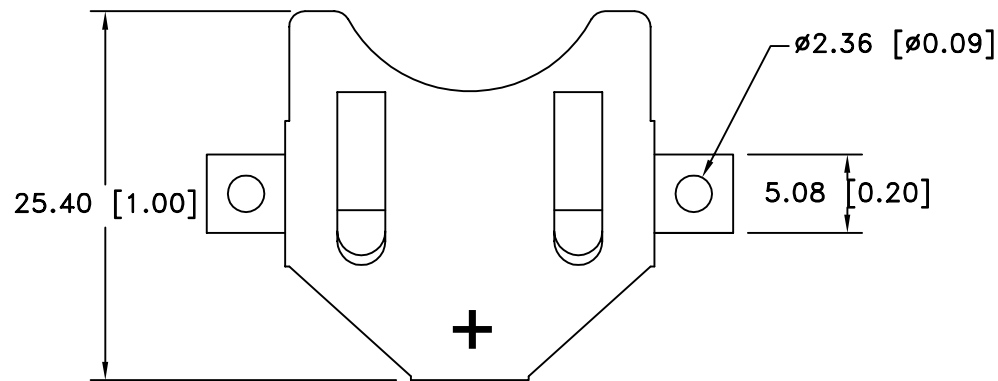



Date	SYM	REVISION RECORD	AUTH	DR.	CK.
1/07/06	A	ADDED "ROHS COMPLIANT"	T.B.	B.S.	
2/04/06	B	ADDED CHAMFERS	T.B.	B.S.	



NOTES:

1. MATERIAL:  
0.25mm PHOSPHOR BRONZE, NICKLE PLTD.
2. ROHS COMPLIANT

Tolerance (Except as noted)	 <b>Memory Protection Devices, Inc</b> 200 Broad Hollow Road, Farmingdale, New York 11735		
decimal $\pm .5$ (.020)	Scale	Drawn By B.S.	
Fractional $\pm .8$ (.030)	Title COIN CELL RETAINER FOR 24mm DIA. BATTERIES		
Angular $\pm 3^\circ$	Date 2/04/06	Drawing Number BK-886	

CELL SIZE	RETAINS BATTERY NUMBERS
24mm	CR2430, DL2430