

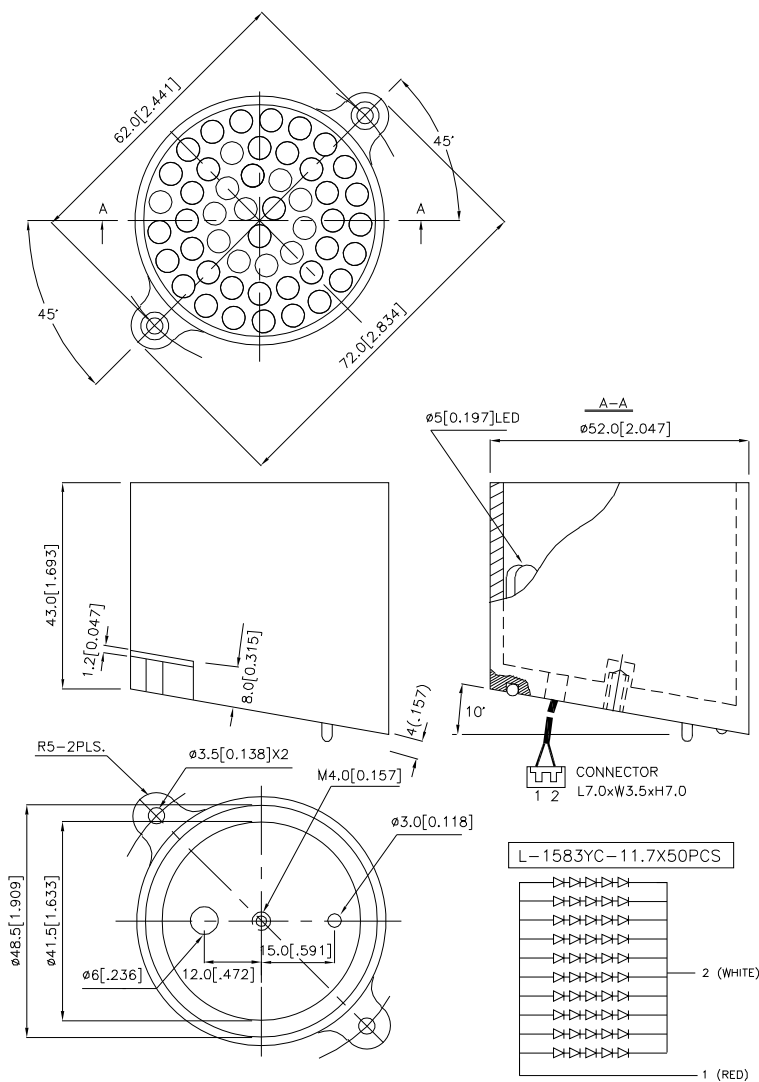
Features

- Waterproof construction.
- Suitable for outdoor applications, signboard or message board, etc.
- RoHs compliant.

Description

The Yellow source color devices are made with Gallium Arsenide Phosphide on Gallium Phosphide Yellow Light Emitting Diode.

Package Dimensions



Notes:

1. All dimensions are in millimeters (inches).
2. Tolerance is ± 0.25 (0.01") unless otherwise noted.
3. The specifications, characteristics and technical data described in the datasheet are subject to change without prior notice.



Electrical / Optical Characteristics at T_A=25°C

Symbol	Parameter	Device	Color	Min	Typ.	Max.	Units	Test Conditions
I _V	Luminous Intensity	BL0307-50-45	Super Bright Yellow	750	1500	-	mcd	I _F =200mA
2θ _{1/2}	Viewing Angle		Super Bright Yellow	-	40	-	deg	-
V _F	Forward Voltage		Super Bright Yellow	-	10.5	12.5	V	I _F =200mA
λ _{peak}	Peak Wavelength		Super Bright Yellow	-	590	-	nm	I _F =200mA
λ _D	Dominant Wavelength		Super Bright Yellow	-	588	-	nm	I _F =200mA
Δλ _{1/2}	Spectral Line Half-width		Super Bright Yellow	-	35	-	nm	I _F =200mA
I _R	Reverse Current		Super Bright Yellow	-	-	100	uA	V _R = 5V

Notes:

1. Luminous intensity value is traceable to the CIE127-2007 compliant national standards.
2. Wavelength value is traceable to the CIE127-2007 compliant national standards.

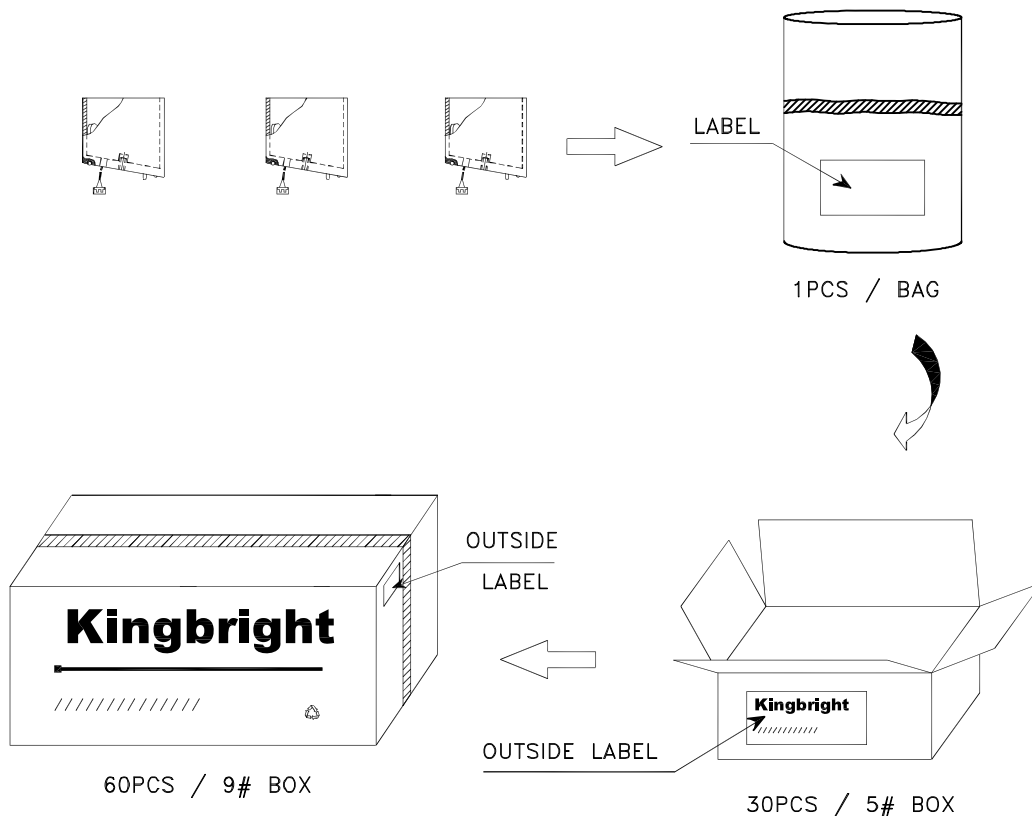
Absolute Maximum Ratings at T_A=25°C

Parameter	Type	Units
Power dissipation	3750	mW
DC Forward Current	300	mA
Reverse Voltage	5	V
Operating Temperature	-40°C To +70°C	
Storage Temperature	-40°C To +85°C	

Kingbright

PACKING & LABEL SPECIFICATIONS

BL0307-50-45



<h2 style="margin: 0;">Kingbright</h2>		
P/NO: BL0307-50xxx		
QTY: 1pcs	Q.C.	<div style="border: 1px solid black; border-radius: 50%; width: 30px; height: 30px; display: flex; align-items: center; justify-content: center; margin: 0 auto;"> <div style="text-align: center; margin-bottom: 2px;">Q C</div> <div style="text-align: center; margin-bottom: 2px;">XX XX XXXX</div> <div style="text-align: center; margin-bottom: 2px;">PASSED</div> </div>
S/N: XXXX		
CODE: XXX		
LOT NO:		
XXXXXXXXXXXXXXXXXXXX		
RoHS Compliant		

Detailed application notes are listed on our website.
http://www.kingbright.com/application_notes