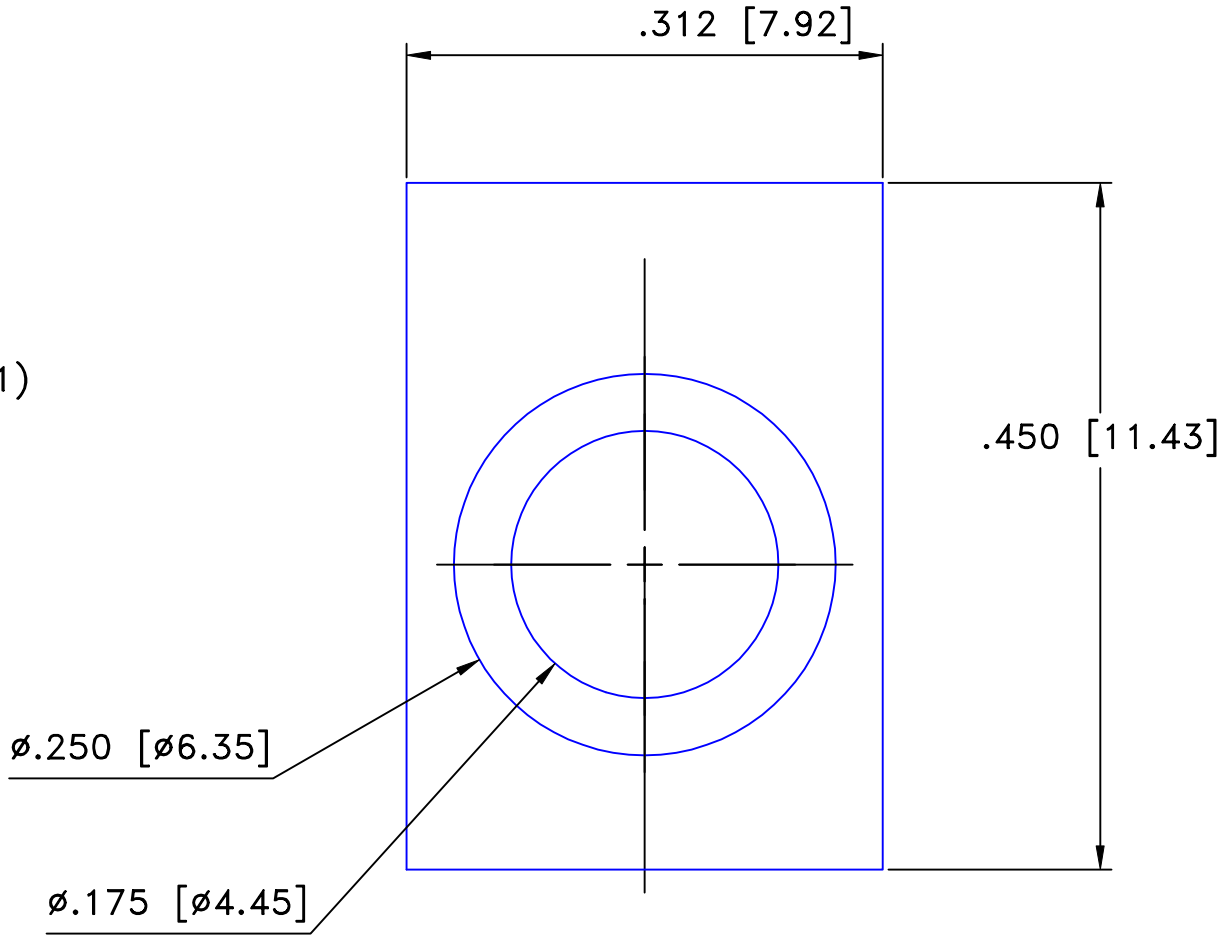
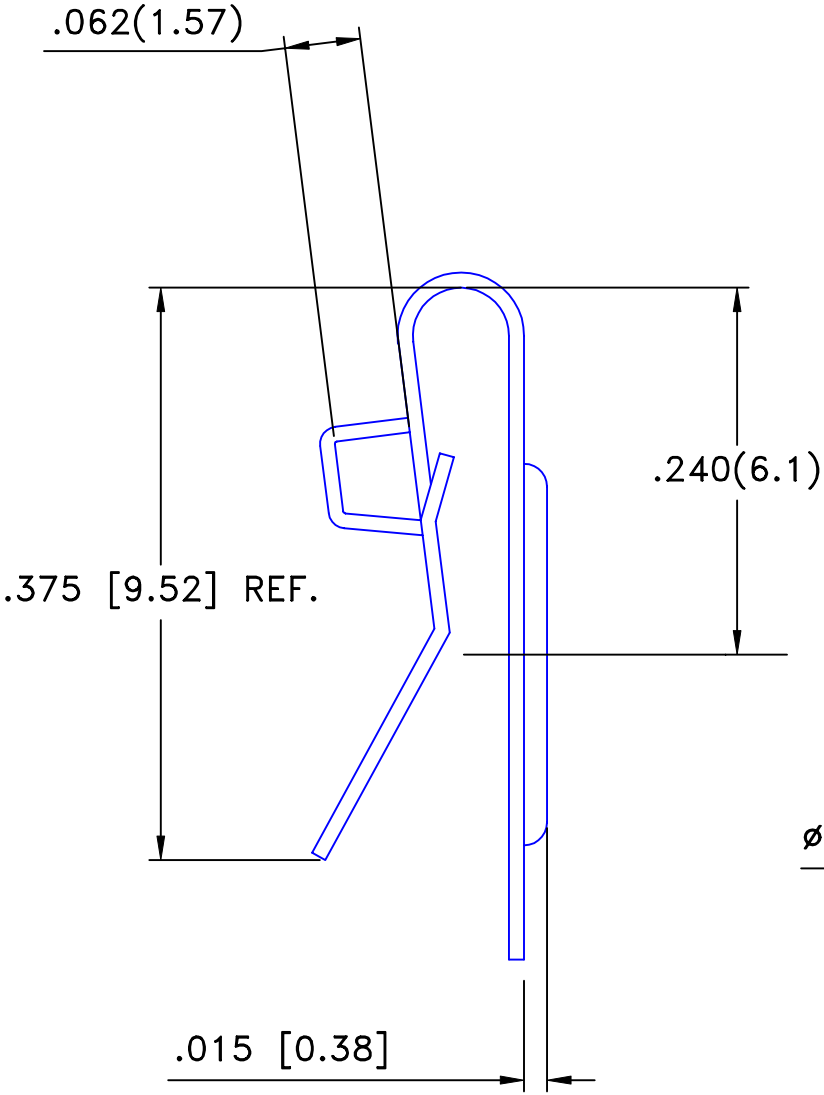



Date	SYM	REVISION RECORD	AUTH	DR.	CK.



MATERIAL:
.010" SPRING TEMPER STAINLESS STEEL, NICKEL PLATED

Tolerance (Except as noted)	 Memory protection Devices, Inc 200 Broad Hollow Road, Farmingdale, New York 11735		
decimal		Scale	Drawn By T.S.
±.5 (.020)		8=1	Approved By T.B.
Fractional	Title		
± .8 (.030)	BATTERY CONTACT, POSITIVE, AA		
Angular	Date	Drawing Number	
± 3°	3/24/01	BK-228	