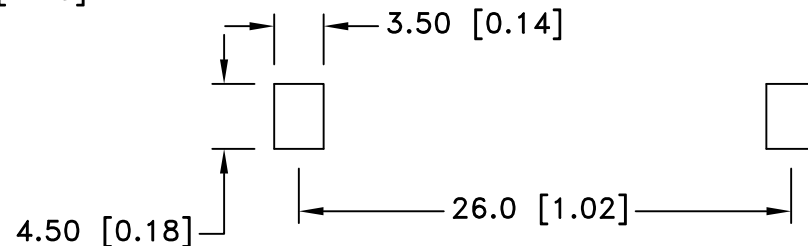
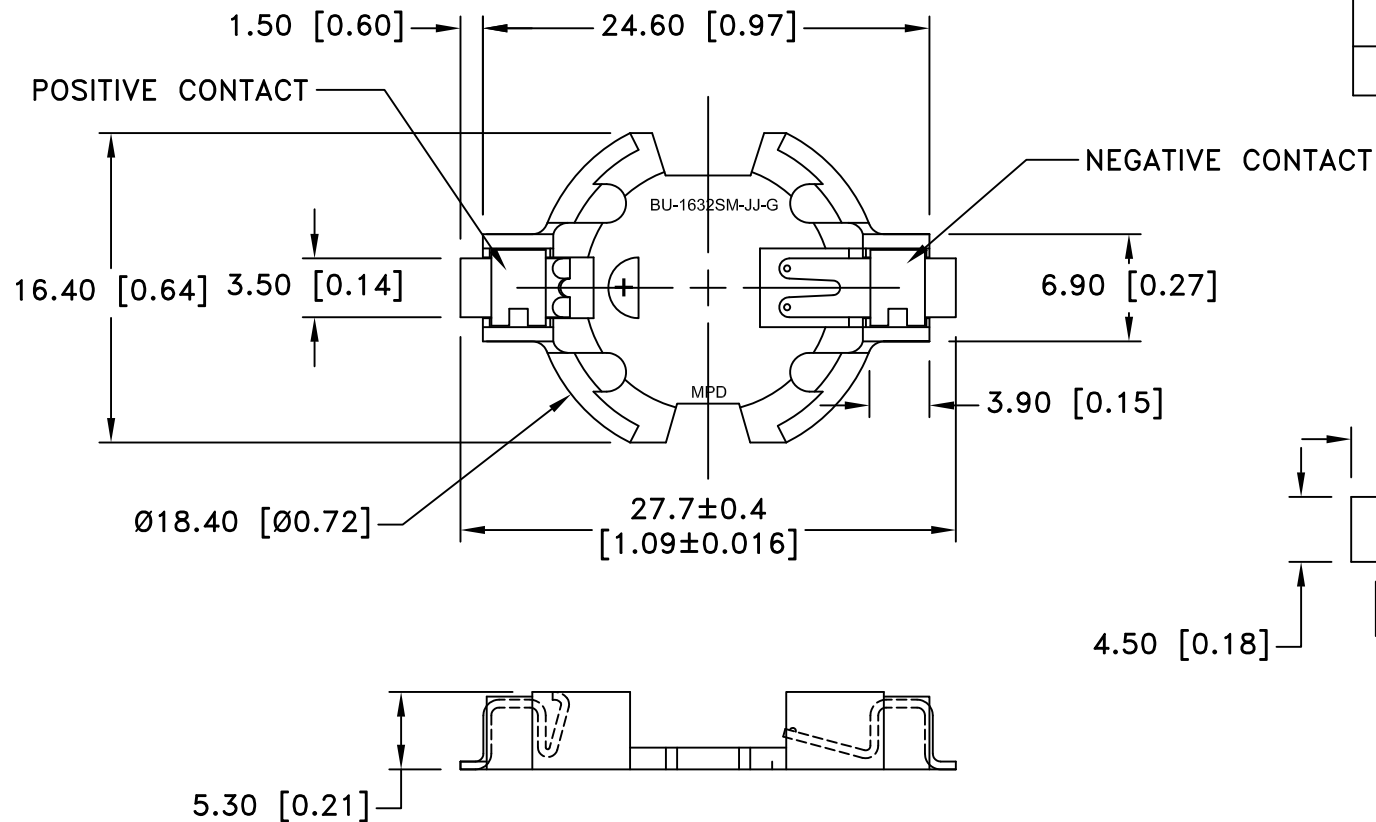



Date	SYM	REVISION RECORD	AUTH	DR.	CK.
11/14/14	A	Updated to ROHS 2 Compliant	T.B.	B.S.	
04/03/15	B	6 Milli-seconds was 6 micro seconds	T.B.	B.S.	



PCB LAYOUT

SPECIFICATIONS:

- * Holder material- 30% glass reinforced Liquid Crystal Polymer resin, UL File No. E123598, UL94V-0
- * Color: White
- * Contacts : 0.020" thick PHOS-BRONZE, GOLD FLASH
- * Temperature range: -40°C to +280°C
- * Vibration Test: 10-50-10 Hz swept in 60 seconds
X,Y,Z direction: 1 hour each direction
- * Result: No dislodgement of the cell or damage
No discontinuity over 10 micro-seconds
- * Shock Test: Half sine wave acceleration 150G, 6 milli-seconds
3 shock pulses each direction per axis, total of 18 pulses
- * Result: No evidence of physical damage
- * ROHS 2 COMPLIANT

Tolerance (Except as noted)	 Memory Protection Devices, Inc 200 Broad Hollow Road, Farmingdale, New York 11735		
	decimal ±.5 (.020)	Scale	Drawn By B.S. Approved By T.B.
Fractional ± .8 (.030)	Title SURFACE MOUNT BATTERY HOLDER FOR CR1632		
Angular ± 3°	Date 04/03/15	Drawing Number BU1632SM-JJ-GTR	