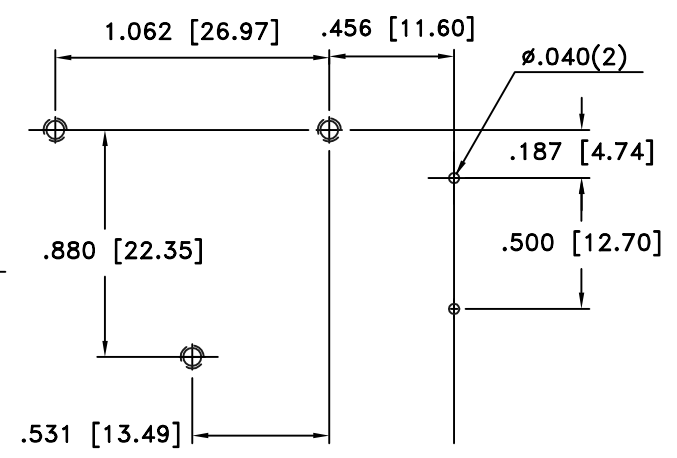
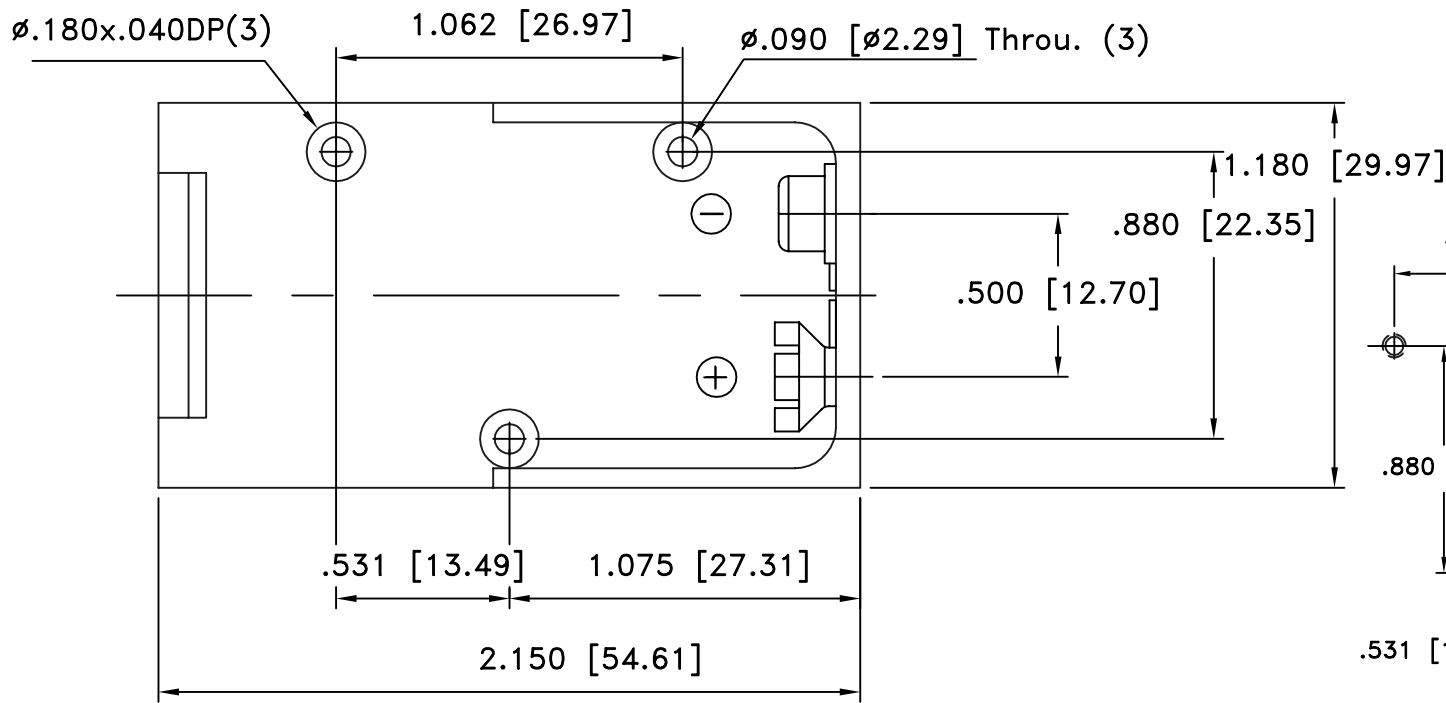
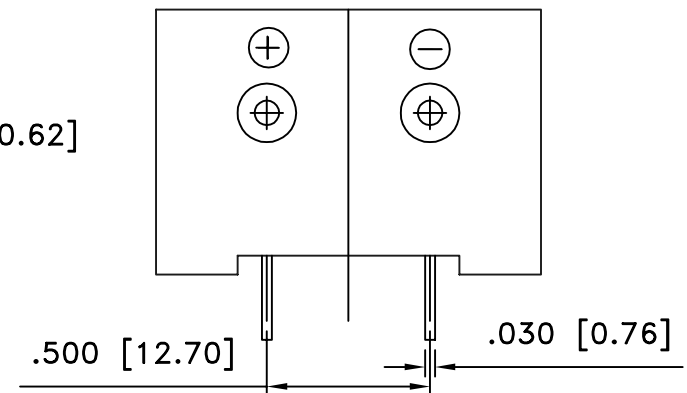
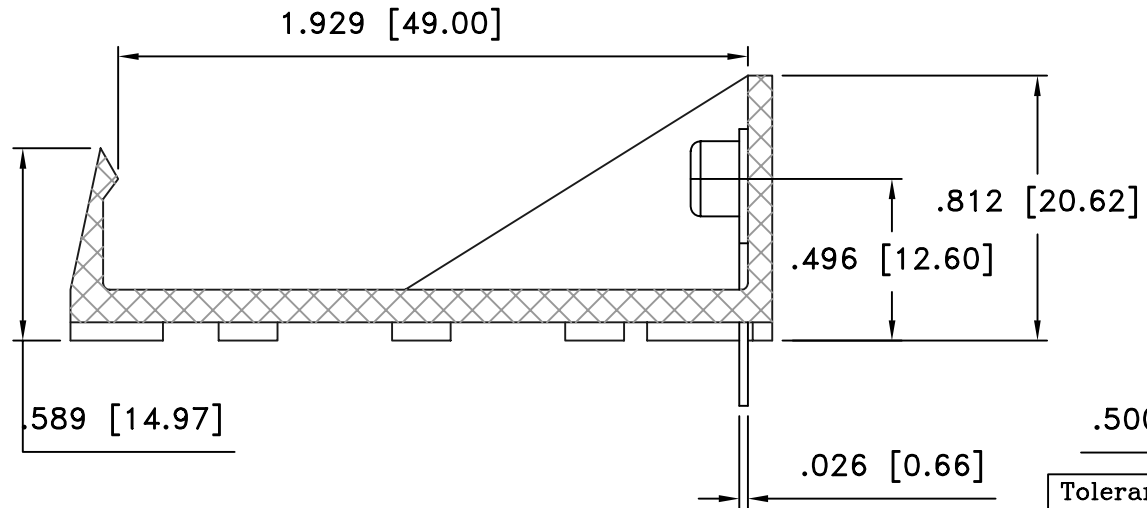



Date	SYM	REVISION RECORD	AUTH	DR.	CK.
10/22/05	A	ADDED "ROHS COMPLIANT"	T.B.	B.S.	



PCB LAYOUT



NOTE:
ROHS COMPLIANT

Tolerance (Except as noted)	 Memory Protection Devices, Inc 200 Broad Hollow Road, Farmingdale, New York 11735		
decimal		Scale	Drawn By T.S.
$\pm .5 (.020)$		2=1	Approved By T.B.
Fractional	Title		
$\pm .8 (.030)$	BH9VPC ASSEMBLY		
Angular	Date	Drawing Number	
$\pm 3^\circ$	10/22/05	BH9VPC	

TERMINALS	PC TERMINALS	TIN PLATED STEEL
WASHER	INSULATOR	RUBBER
HOLDER	HOLDER UL94V-0, FILE No. E56070 (S)	HIGH IMPACT ABS BLACK, UL940-0
CONTACTS	BRASS SNAPS	NICKEL PLATED BRASS
PART	DESCRIPTION	MATERIAL