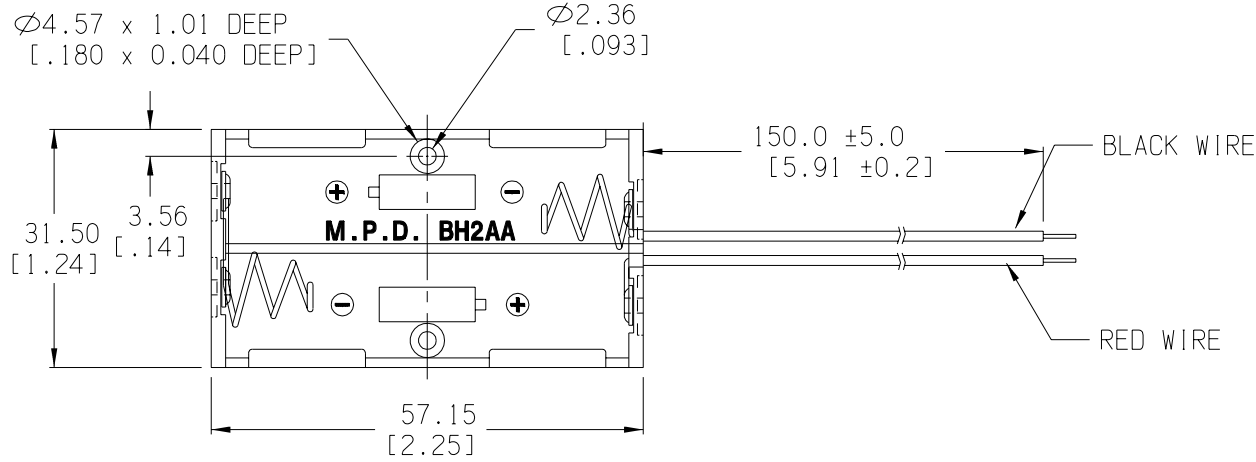
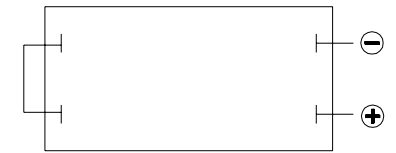
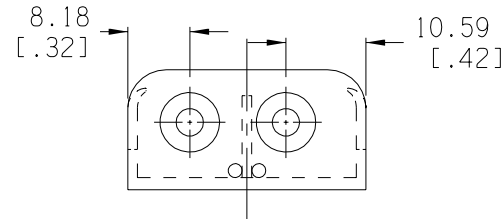
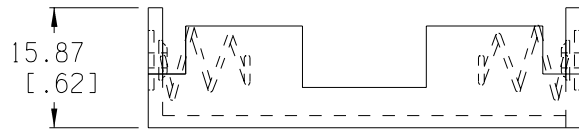


Date	SYM	REVISION RECORD	AUTH	DR.	CK.



MOUNTING INSTRUCTION:

USE 2-56 MACHINE SCREWS OR EYELETS 0.089" OD BY 0.15" FLANGE STIMPSON GS-3 SERIES OR EQUIVALENT ALSO ADHESIVES AND DOUBLE SIDED TAPES WORK WELL.




INTER CONNECTION SCHEMATIC

NOTES:

MATERIAL:

HOUSING: IMPACT RESISTANCE NYLON #6, BLACK, UL 94V-2, MATERIAL FILE #UL E 88499(S)
 SPRING: SPRING STEEL, NICKLE PLATED
 CONTACTS: SPRING STEEL, NICKLE PLATED
 EYELETS: BRASS, NICKLE PLTD.
 WIRES: A.W.N. 80°C V W-1 PACIFIC CSA TR-64 90°C 24AWG, 300V, 1007 E41396 UL, 24 GAGE PVC

Tolerance (Inches)	 Memory Protection Devices, Inc 200 Broad Hollow Road, Farmingdale, New York 11735		
Decimal ±.5 (.020)	Scale	Drawn By B.S. Approved By T.B.	
Fractional ± .8 (.030)	Title 2AA BATTERY HOLDER WITH WIRE LEADS		
Angular ± 3°	Date 01/26/02	Drawing Number BH2AA-W	