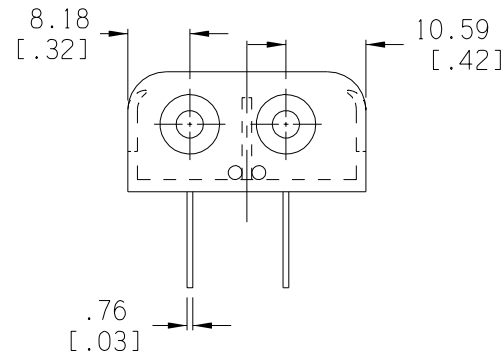
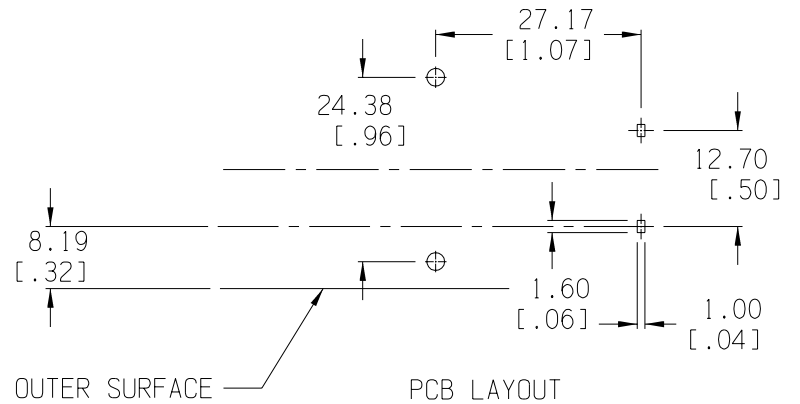
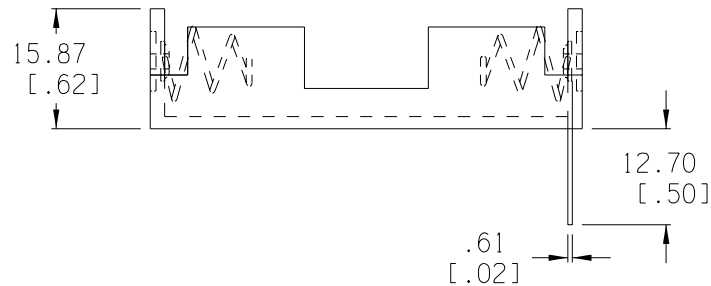
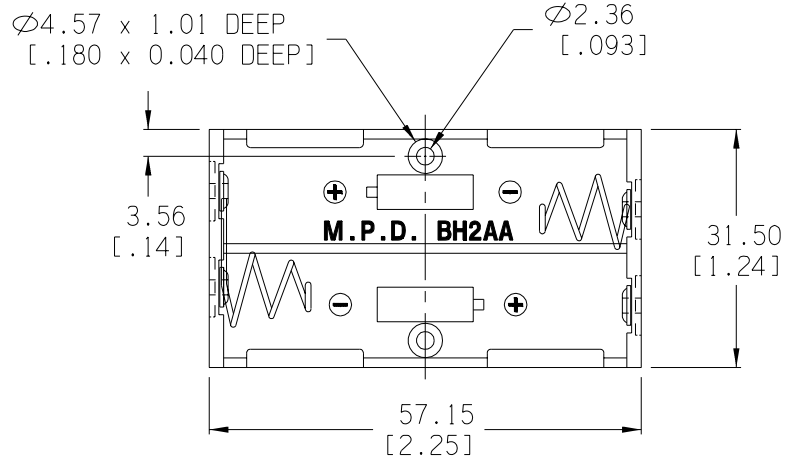


Date	SYM	REVISION RECORD	AUTH	DR	CK

MOUNTING INSTRUCTION:


USE 2-56 MACHINE SCREWS OR  
EYELETS 0.089" OD BY 0.15" FLANGE  
STIMPSON GS-3 SERIES OR EQUIVALENT  
ALSO ADHESIVES AND DOUBLE SIDED  
TAPES WORK WELL.



NOTES:

MATERIAL:

HOUSING: IMPACT RESISTANCE NYLON #6, BLACK, UL 94V-2,  
MATERIAL FILE #UL E88499(S)  
SPRING: SPRING STEEL, NICKLE PLATED  
CONTACTS: SPRING STEEL, NICKLE PLATED  
EYELETS: BRASS, NICKLE PLTD.

Tolerance (Inches)	 <b>Memory Protection Devices, Inc.</b> 200 Broad Hollow Road, Farmingdale, New York 11735		
Decimal		Scale	Drawn By B.S.
$\pm .5$ (.020)			Approved By T.B.
Fractional	Title		
$\pm .8$ (.030)	2AA BATTERY HOLDER WITH PC PINS		
Angular	Date	Drawing Number	
$\pm 3^\circ$	01/26/02	BH2AA-PC	