

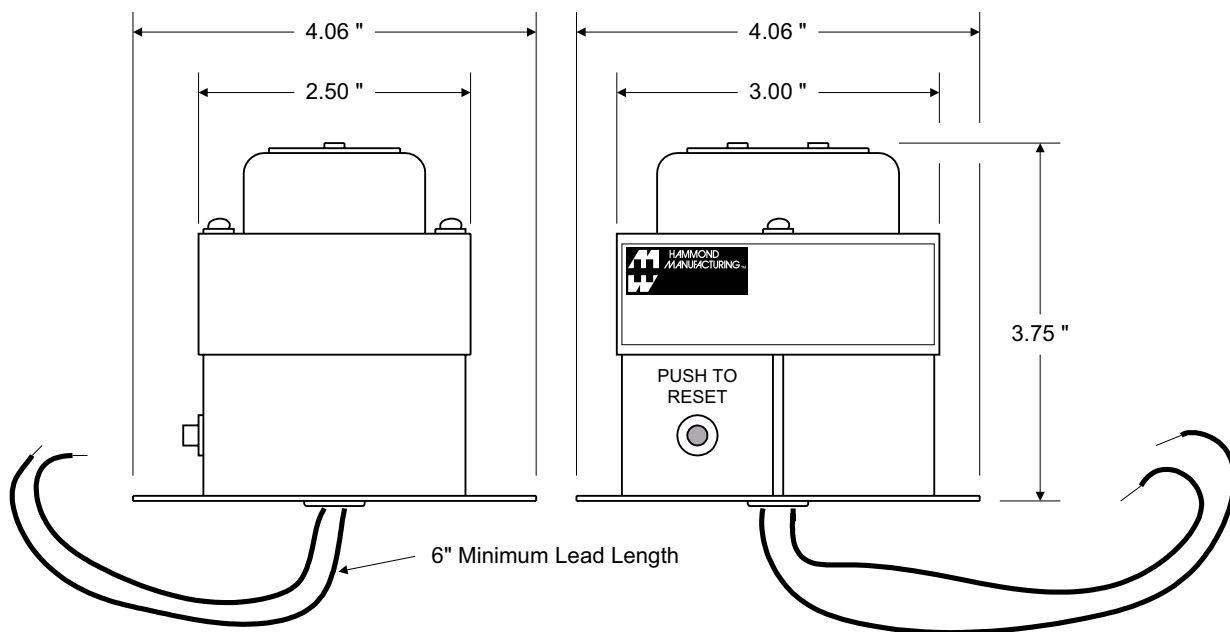
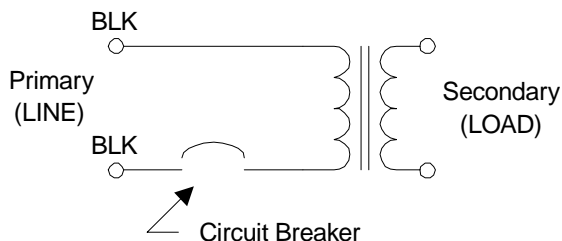


75 VA - CLASS 2 ENERGY LIMITING TRANSFORMERS



- Used in chimes, door bells, security systems, decorative lighting, furnaces, humidifiers, appliances, vending machines, intercom system type applications.
- Rugged, low noise design, indoor use only.
- Stripped wire input (primary) leads, screw terminal output (secondary).
- Mounted on box plate for easy installation.
- Input leads are black 6" minimum, on 240V models 240V lead is red.
- All models are 60 Hz. - limited by built in circuit breaker.
- CSA certified (#LR 3902 Class 2) energy limiting transformer. Complies with CSA standard C22.2 #66 part B.

Cat. No.	A.C. Input (Primary) V (RMS)	A.C. Output Secondary (RMS)		Power Rating VA	Dimensions		
		V	A		A	B	C
BF2F	120	16	4.68	75	3.00	2.50	3.75
BF5F	240	16	4.68	75	3.00	2.50	3.75
BF2G	120	24	3.13	75	3.00	2.50	3.75
BF5F	240	24	3.13	75	3.00	2.50	3.75



Class 2

CANADA

Phone: (519) 822-2960 Fax: (519) 822-0715

USA

Phone: (716) 651-0086 Fax: (716) 651-0726



© 2000

**HAMMOND
MANUFACTURING™**
www.hammondmfg.com